

*Frigidaire*

## Top Load Laundry



# Frigidaire

## Uniquely designed for value.

For years, Frigidaire® top load washers have set the standard in the industry.

So you expect conveniences like our In-Post Dispenser that automatically dispenses fabric softener at exactly the right time during the wash cycle.

You count on innovations like our Sure-Spin™ Suspension System that's designed to keep loads balanced so every wash cycle is completed without walking or stopping.

And you depend on our Titan 25™ Wash Tub for long service life, yet it is made of 100% recyclable material, so it's as gentle on the environment as it is on your laundry.

You expect all this from Frigidaire®... and we deliver.



## Top Load Washer & Super Capacity Dryer Features



**In-Post Fabric Softener Dispenser**  
For optimum results, fabric softener is automatically dispensed at precisely the right time during the wash cycle. Conveniently located at the top of the agitator.



**Sure-Spin™ Suspension System**  
A superior load handling system designed to complete every load without walking or stopping.



**Variable Water Level Control**  
Select the right amount of water needed to wash the right sized load. Then sit back and enjoy the water and energy consumption savings.



**Automatic Temperature Control**  
For the ultimate in clean, the Automatic Temperature Control regulates wash and rinse cycle water temperatures to maximize detergent effectiveness.



**Titan 25™ Wash Tub**  
Providing a lifetime of performance, the Titan 25™ Wash Tub is made of 100% recyclable material.



**Balanced Dry System**  
Eliminate “hot spots” that can damage clothes. Large volumes of air are drawn through the back of the drum and evenly distributed for safe, efficient drying.



**Precision Dry™ Moisture Sensor**  
Prevents over-drying and shrinking, automatically determines the appropriate dryness level and ends the cycle.



**Press Saver**  
Prevent wrinkles from setting in. Press Saver thoughtfully continues tumbling without heat for an additional thirty minutes after the drying cycle is complete.



**Reversible Door**  
Dryer door reverses in just minutes to accommodate any installation.

# Frigidaire



## Gallery Series® GLWS1749F S

- LoadSaver™ Super Capacity *Plus*
- Titan 25™ Wash Tub
- Precision Wash System
- Sure-Spin™ Suspension System
- Precision Roll *Plus*, Dual-Action Agitator
- 17 Cycles
- 4 Wash/Rinse Temperature Combinations: Hot/Cold; Warm/Cold; Warm/Warm; Cold/Cold
- Soak Cycle
- Prewash Cycle
- Hand Wash Setting
- 4 Agitate/Spin Speed Combinations
- Extra Rinse Auto Option
- Variable Water Levels
- Heavy-Duty 2-Speed 3/4 Hp Motor
- Bleach Dispenser
- Fabric Softener Dispenser
- Self-Cleaning Lint Filter
- Sound Silencer *Plus*



## Gallery Series® GLE/GR104FS S

- Super Capacity Dryer
- Stainless Steel Dryer Drum
- Balanced Dry System
- 10 Cycles
- 3 Auto Dry Cycles
- Timed Dry Cycles
- 60-Minute Timed Dry
- On/Off End-of-Cycle Signal
- Auto Press Saver Option
- Precision Dry™ Moisture Sensor
- 4 Temperature Options: High Heat; Medium Heat; Low Heat; No Heat
- Cool Down Setting
- Interior Drum Light
- Quick-Clean Lint Screen
- Push to Start
- Reversible Door



## Gallery Series® GLWS1439F S

- LoadSaver™ Super Capacity *Plus*
- Titan 25™ Wash Tub
- Precision Wash System
- Sure-Spin™ Suspension System
- Precision Roll *Plus*, Dual-Action Agitator
- 14 Cycles
- 3 Wash/Rinse Temperature Combinations: Hot/Cold; Warm/Cold; Cold/Cold
- Soak Cycle
- Prewash Cycle
- Hand Wash Setting
- 2 Agitate/Spin Speed Combinations
- Extra Rinse Auto Option
- Variable Water Levels
- Heavy-Duty 2-Speed 3/4 Hp Motor
- Bleach Dispenser
- Fabric Softener Dispenser
- Self-Cleaning Lint Filter
- Sound Silencer



## Gallery Series® GLE/GRS1042FS S

- Super Capacity Dryer
- Balanced Dry System
- 10 Cycles
- 3 Auto Dry Cycles
- Timed Dry Cycles
- 60-Minute Timed Dry
- On/Off End-of-Cycle Signal
- Auto Press Saver Option
- Precision Dry™ Moisture Sensor
- 4 Temperature Options: High Heat; Medium Heat; Low Heat; No Heat
- Cool Down Setting
- Interior Drum Light
- Quick-Clean Lint Screen
- Push to Start
- Reversible Door

# Frigidaire



## Frigidaire® FWS1233F S

- LoadSaver™ Super Capacity *Plus*
- Titan 25™ Wash Tub
- Precision Wash System
- Sure-Spin™ Suspension System
- Precision Roll *Plus*, Dual-Action Agitator
- 12 Cycles
- 3 Wash/Rinse Temperature Combinations: Hot/Cold; Warm/Cold; Cold/Cold
- Soak Cycle
- Prewash Cycle
- 3-Position Water Level Control
- Heavy-Duty 2-Speed 3/4 Hp Motor
- Bleach Dispenser
- Fabric Softener Dispenser
- Self-Cleaning Lint Filter



## Frigidaire® FE/GR641F S

- Super Capacity Drum
- Balance Dry System
- 2 Auto Dry Cycles
- Timed Dry Cycles
- 70-Minute Timed Dry
- 4 Temperature Options: High Heat; Medium Heat; Low Heat; No Heat
- Cool Down Setting
- On/Off End-of-Cycle Signal
- Interior Drum Light
- Push to Start
- Reversible Door
- Quick-Clean Lint Screen



**Frigidaire®**  
**FWS933F S**

- LoadSaver™ Super Capacity *Plus*
- Titan 25™ Wash Tub
- Precision Wash System
- Sure-Spin™ Suspension System
- 9 Cycles
- 3 Wash/Rinse Temperature Combinations: Hot/Cold; Warm/Cold; Cold/Cold
- 3-Position Water Level Control
- Heavy-Duty 2-Speed 3/4 Hp Motor
- Bleach Dispenser
- Fabric Softener Dispenser
- Self-Cleaning Lint Filter



**Frigidaire®**  
**FE/GR311F S**

- Super Capacity Drum
- Balance Dry System
- 1 Auto Dry Cycle
- Timed Dry Cycles
- 100-Minute Timed Dry
- 1 Temperature Option
- Cool Down Setting
- Push to Start
- Reversible Door
- Quick-Clean Lint Screen

# Frigidaire



## Gallery Series® GLE/GT1142FS S

### WASHER

- 3.0 Cu.Ft. LoadSaver™ Super Capacity Washer
- Titan 25™ Wash Tub
- Precision Wash System
- Sure-Spin™ Suspension System
- Sound Silencer *Plus*
- 11 Wash Cycles
- 4 Wash/Rinse Temperature Combinations: Hot/Cold; Warm/Cold; Warm/Warm; Cold/Cold
- Soak Cycle
- Prewash Cycle
- Extra Rinse Option
- 4 Agitate/Spin Speed Combinations
- Power Spin
- Variable Water Level Control
- Heavy-Duty 2-Speed 3/4 Hp Motor
- Bleach Dispenser
- Fabric Softener Dispenser
- Self-Cleaning Lint Filter

### DRYER

- 5.7 Cu.Ft. Super Capacity Dryer
- Stainless Steel Dryer Drum
- Balanced Dry System
- 4 Auto Dry Cycles
- Timed Dry Cycles
- 80-Minute Timed Dry
- End-of-Cycle Signal
- Auto Press Saver Option
- Precision Dry™ Moisture Sensor
- 4 Temperature Options: High Heat; Medium Heat; Low Heat; No Heat
- Cool Down Setting
- Interior Drum Light
- Quick-Clean Lint Screen
- Turn-to-Start Knob





## Gallery Series® GLE/GT1031F S

### WASHER

- 3.0 Cu.Ft. LoadSaver™ Super Capacity Washer
- Titan 25™ Wash Tub
- Precision Wash System
- Sure-Spin™ Suspension System
- Sound Silencer
- 10 Wash Cycles
- 3 Wash/Rinse Temperature Combinations: Hot/Cold; Warm/Cold; Cold/Cold
- Soak Cycle
- Prewash Cycle
- 2 Agitate/Spin Speed Combinations
- Heavy-Duty 2-Speed 3/4 Hp Motor
- 3-Position Water Level Control
- Bleach Dispenser
- Fabric Softener Dispenser
- Self-Cleaning Lint Filter

### DRYER

- 5.7 Cu.Ft. Super Capacity Dryer
- Balanced Dry System
- 2 Auto Dry Cycles
- Timed Dry Cycle
- 70-Minute Timed Dry
- End-of-Cycle Signal
- 4 Temperature Options: High Heat; Medium Heat; Low Heat; No Heat
- Cool Down Setting
- Quick-Clean Lint Screen
- Turn-to-Start Knob



## Frigidaire® FE/GX831F S

### WASHER

- 2.7 Cu.Ft. Extra-Large Capacity Washer
- Precision Wash System
- Sure-Spin™ Suspension System
- 8 Wash Cycles
- 3 Wash/Rinse Temperature Combinations: Hot/Cold; Warm/Cold; Cold/Cold
- 3-Position Water Level Control
- 2 Agitate/Spin Speed Combinations
- Heavy-Duty Single-Speed 3/4 Hp Motor
- Bleach Dispenser
- Self-Cleaning Lint Filter

### DRYER

- 5.7 Cu.Ft. Super Capacity Dryer
- Balanced Dry System
- 1 Auto Dry Cycle
- Timed Dry Cycle
- 100-Minute Timed Dry
- End-of-Cycle Signal
- 2 Temperature Options: High Heat; Low Heat
- Cool Down Setting
- Quick-Clean Lint Screen
- Push-to-Start Button

# Frigidaire

## Accessories



### Universal Dryer Cord

Has both 3- and 4-wire, closed eyelet cords available. 30-amp capacity and UL listed. Easy and safe to hook up. Fits most major brands 4', 3-wire cord (shown). 530901020  
4', 4-wire cord. 5303325194



### Universal Dryer-to-Vent Hood

Installation requires no tools, clamps, or tape. Fire-resistant, semi-rigid aluminum. Fits most major manufacturer brands. Measures 8' long and 4" in diameter. 5303310255



### 6' Stainless Steel Washer Fill Hose

Makes installation a snap. Can be used with both hot and cold water. Fits all washers and includes rubber washers. Order two for complete installation. 5304416562



### Fabric Softener Dispenser

Fill it and forget it. Dispenser automatically adds the right amount of softener at the right time. Fits White-Westingshouse washers produced after 1985 and Frigidaire® washers produced after 1990. 5303310293



### Drying Rack

Dry wet shoes quickly without all the banging and dry delicates without all the tumble action.

**DRFS** - fits 27" freestanding units built prior to 1996.

**DRLC** - fits 27" laundry center with lint screen below the door opening.

**DRFSB** - 14" x 16" x 1/4" rack fits units built in 1996 and after.

TOP LOAD WASHERS

Models	GLWS1749F	GLWS1439F	FWS1233F	FWS933F
Series	Gallery	Gallery	Frigidaire	Frigidaire
<b>Features</b>				
Control Location	Top Console	Top Console	Top Console	Top Console
Capacity	Super Capacity Plus	Super Capacity Plus	Super Capacity Plus	Super Capacity Plus
Tub Size (Cubic Feet)	3	3	3	3
Agitator Style	Dual-Action	Dual-Action	Dual-Action	H +
Cycles	17	14	12	9
Wash/Rinse Temperature Combinations	4	3	3	3
Motor Speeds	2	2	2	2
Heavy Duty Motor (HP)	3/4	3/4	3/4	3/4
Total Front Serviceability	•	•	•	•
<b>Dimensions</b>				
WxHxD	27" x 43-5/8" x 27"	27" x 43-5/8" x 27"	27" x 43-5/8" x 27"	27" x 43-5/8" x 27"
Unit Weight/Gross Weight	155/174 Lbs.	155/174 Lbs.	155/174 Lbs.	155/174 Lbs.
Electrical Requirements	120 V/60 Hz	120 V/60 Hz	120 V/60 Hz	120 V/60 Hz
<b>Color/UPC (0-12505-)</b>				
White (S)	37587-3	37557-6	37559-0	37560-6



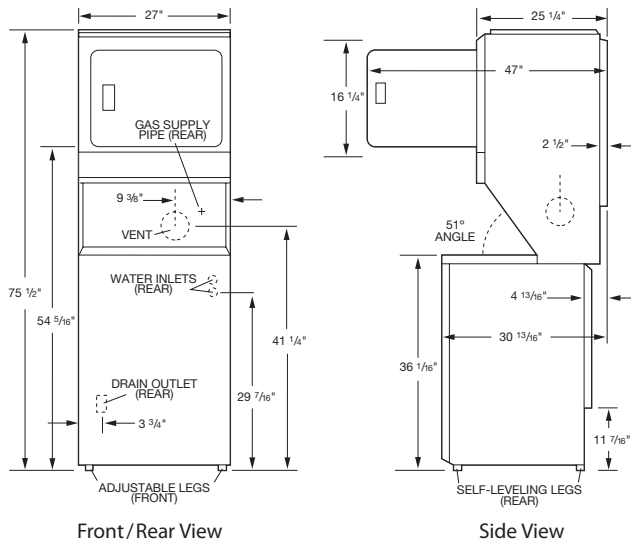
SUPER CAPACITY DRYERS

Models	GLE/GR104FS	GLE/GRS1042FS	FE/GR641F	FE/GR311F
Series	Gallery	Gallery	Frigidaire	Frigidaire
<b>Features</b>				
Control Location	Rear Console	Rear Console	Rear Console	Rear Console
Capacity (Cubic Feet)	5.7	5.7	5.7	5.7
Auto Dry Cycles	3	3	2	1
Temperature Options	4-Rotary	4-Rotary	4-Rotary	1-Rotary
Precision Dry™ Moisture Sensor	•	•	•	•
Reversible Door	•	•	•	•
<b>Specifications</b>				
Height	43-5/8"	43-5/8"	43-5/8"	43-5/8"
Width	26-7/8"	26-7/8"	26-7/8"	26-7/8"
Depth	25-3/4"	25-3/4"	25-3/4"	25-3/4"
Unit Weight/Gross Weight	125/135 Lbs.	125/135 Lbs.	125/135 Lbs.	125/135 Lbs.
<b>Electrical Requirements</b>				
Electric Models – Volts	120/240, 120/208	120/240, 120/208	120/240, 120/208	120/240, 120/208
Electric Models – Amps/Hertz	30/60	30/60	30/60	30/60
Electric Heating Element @ 240V (Watts)	4500	4500	4500	4500
Gas Models – Volts/Amps/Hertz	120/15/60	120/15/60	120/15/60	120/15/60
Gas Heating Element BTU/HR	20,000	20,000	20,000	20,000
Attached Power Cord	120V, 15A	120V, 15A	120V, 15A	120V, 15A
<b>Color/UPC – Electric (0-12505-)</b>				
White (S)	37668-9	37649-8	37645-0	37643-6
<b>Color/UPC – Gas (0-12505-)</b>				
White (S)	37669-6	37650-4	37646-7	37644-3



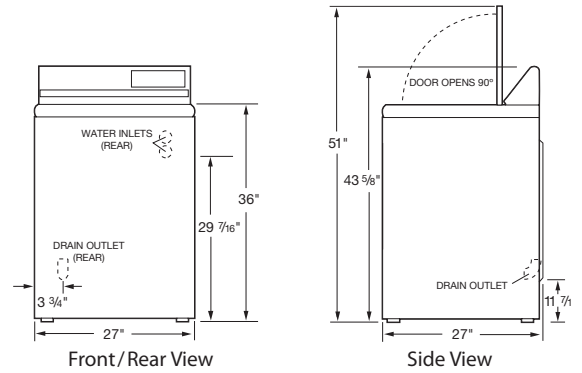
LAUNDRY CENTER INSTALLATION

The following dimension and cutout information is for planning purposes only. For complete installation details consult manual packed with product, or download manual at Customer Service, online at [frigidaire.com](http://frigidaire.com).



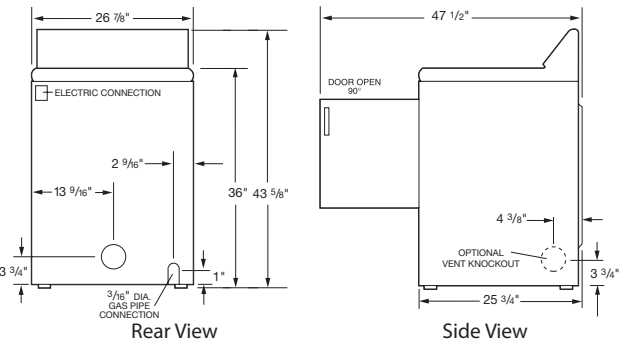
WASHER INSTALLATION

The following dimension and cutout information is for planning purposes only. For complete installation details consult manual packed with product, or download manual at Customer Service, online at [frigidaire.com](http://frigidaire.com).



DRYER INSTALLATION

The following dimension and cutout information is for planning purposes only. For complete installation details consult manual packed with product, or download manual at Customer Service, online at [frigidaire.com](http://frigidaire.com).



LAUNDRY CENTERS

Models	GLE/GT1142FS	GLE/GT1031F	FE/GX831F
Series	Gallery	Gallery	Frigidaire
<b>Washer Features</b>			
Capacity (Cubic Feet)	3.0	3.0	2.7
Cycles	11	10	8
Wash/Rinse Temperature Combinations	4-Rotary	3-Rotary	3-Rotary
Motor Speeds	2	2	1
Heavy-Duty Motor (HP)	3/4	3/4	3/4
Agitate Speeds (Strokes/Min.)	74/49	74/49	74/49
Spin Speeds (RPM)	620/410	620/410	620/410
<b>Dryer Features</b>			
Capacity (Cubic Feet)	5.7	5.7	5.7
Auto Dry Cycles	4	2	1
Temperature Options	4-Rotary, 1 In-Timer	4-Rotary	2-Rotary
Precision Dry™ Moisture Sensor	•	•	•
Motor Size (HP)	1/4	1/4	1/4
Tumbling Speed (RPM)	50	50	50
CFM Airflow	200	200	200
Attached Power Cord	120V, 15A	120V, 15A	120V, 15A
<b>Specifications</b>			
Width x Height	27" x 75-1/2"	27" x 75-1/2"	27" x 75-1/2"
Depth	30-13/16"	30-13/16"	30-13/16"
Unit Weight/Gross Weight	251/290 Lbs.	251/290 Lbs.	251/290 Lbs.
<b>Electrical Requirements</b>			
Electric Models – Volts	120/240, 120/208	120/240, 120/208	120/240, 120/208
Electric Models – Amps/Hertz	30/60	30/60	30/60
Electric Heating Element @ 240V (Watts)	4500	4500	4500
Gas Models – Volts/Amps/Hertz	120/15/60	120/15/60	120/15/60
Gas Heating Element BTU/HR	20,000	20,000	20,000
<b>Color/UPC – Electric (0-12505-)</b>			
White (S)	37597-2	37596-5	37595-8
<b>Color/UPC – Gas (0-12505-)</b>			
White (S)	37600-9	37599-6	37598-9





### LIMITED ONE-YEAR WARRANTY

This warranty does not cover the following:

- Products with original serial numbers that have been removed, altered or cannot be readily determined.
- Product that has been transferred from its original owner to another party or removed outside the USA or Canada.
- Rust on the interior or exterior of the unit.
- Products purchased "as-is" are not covered by this warranty.
- Food loss due to any refrigerator or freezer failures.
- Products used in a commercial setting.
- Service calls which do not involve malfunction or defects in materials or workmanship, or for appliances not in ordinary household use or used other than in accordance with the provided instructions.
- Service calls to correct the installation of your appliance or to instruct you how to use your appliance.
- Expenses for making the appliance accessible for servicing, such as removal of trim, cupboards, shelves, etc., which are not a part of the appliance when it is shipped from the factory.
- Service calls to repair or replace appliance light bulbs, air filters, water filters, other consumables, or knobs, handles, or other cosmetic parts.
- Surcharges including, but not limited to, any after hour, weekend, or holiday service calls, tolls, ferry trip charges, or mileage expense for service calls to remote areas, including the state of Alaska.
- Damages to the finish of appliance or home incurred during installation, including but not limited to floors, cabinets, walls, etc.
- Damages caused by: services performed by unauthorized service companies; use of parts other than genuine Electrolux parts or parts obtained from persons other than authorized service companies; or external causes such as abuse, misuse, inadequate power supply, accidents, fires, or acts of God.

### DISCLAIMER OF IMPLIED WARRANTIES; LIMITATION OF REMEDIES

Customer's sole and exclusive remedy under this limited warranty shall be product repair or replacement as provided herein. Claims based on implied warranties, including warranties of merchantability or fitness for a particular purpose, are limited to one year or the shortest period allowed by law, but not less than one year. Electrolux shall not be liable for consequential or incidental damages such as property damage and incidental expenses resulting from any breach of this written limited warranty or any implied warranty. Some states and provinces do not allow the exclusion or limitation of incidental or consequential damages, or limitations on the duration of implied warranties, so these limitations or exclusions may not apply to you. This written warranty gives you specific legal rights. You may also have other rights that vary from state to state.

### IF YOU NEED SERVICE

Keep your receipt, delivery slip, or some other appropriate payment record to establish the warranty period should service be required. If service is performed, it is in your best interest to obtain and keep all receipts. Service under this warranty must be obtained by contacting Electrolux at the addresses or phone numbers below. Your appliance is covered by a one year limited warranty. For one year from your original date of purchase, Electrolux will pay all costs for repairing or replacing any parts of this appliance that prove to be defective in materials or workmanship when such appliance is installed, used, and maintained in accordance with the provided instructions. This warranty only applies in the USA and Canada. In the USA, your appliance is warranted by Electrolux Major Appliances North America, a division of Electrolux Home Products, Inc. In Canada, your appliance is warranted by Electrolux Canada Corp. Electrolux authorizes no person to change or add to any obligations under this warranty. Obligations for service and parts under this warranty must be performed by Electrolux or an authorized service company. Product features or specifications as described or illustrated are subject to change without notice.

### USA

#### Electrolux Major Appliances, North America

250 Bobby Jones Expressway  
Martinez, GA 30907  
1-800-FRIGIDAIRE  
[frigidaire.com](http://frigidaire.com)

### CANADA

#### Electrolux Canada Corporation

5855 Terry Fox Way  
Mississauga, ON L5V 3E4  
1-800-668-4606



Every Frigidaire® appliance is backed by the global strength of the Electrolux Group, the world's largest manufacturer of kitchen and cleaning appliances.