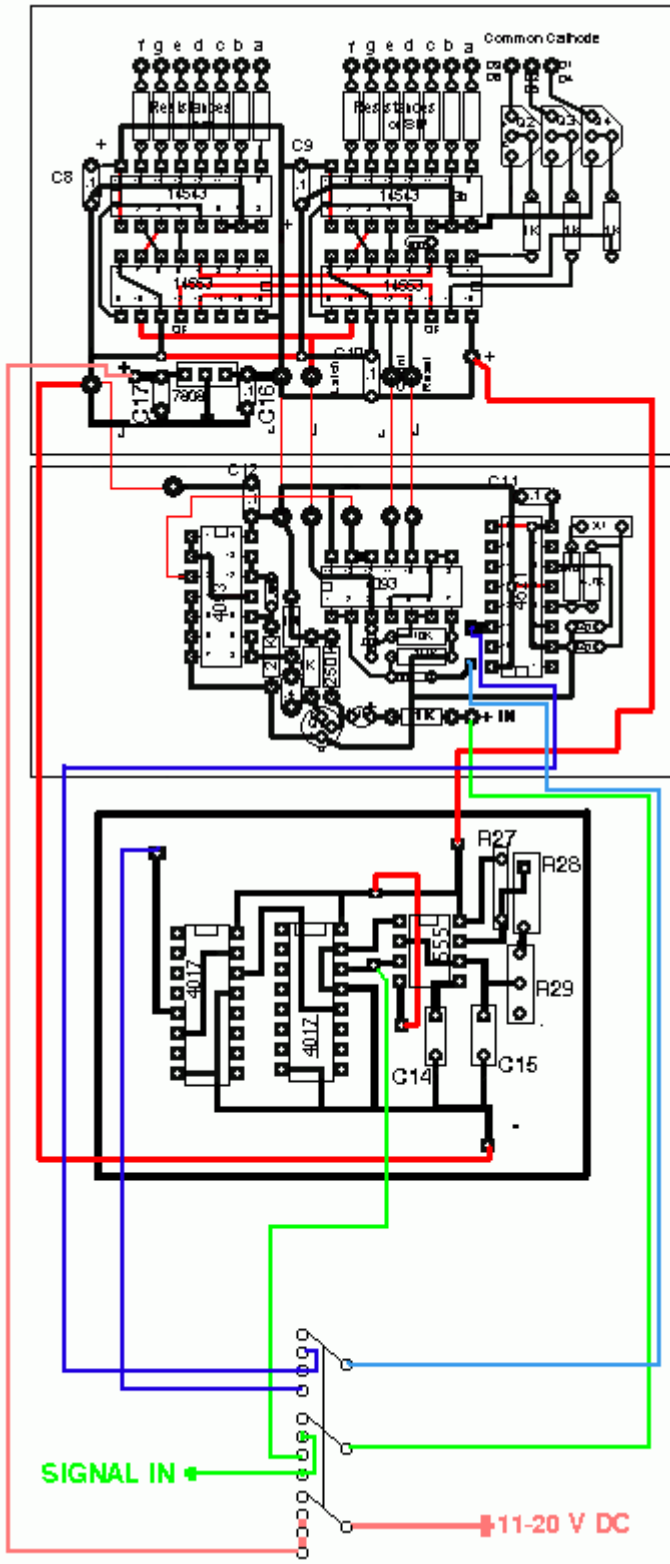


CONNECTION DIAGRAMM



This diagram shows the way that parts are placed in PCB.
 Red , blue , and green lines , are indicating jumpers that should be soldered independently by user.

The PCB is designed by Laurier , and has been modified by me in order to work with Common Cathode Displays ONLY
 Original Laurier's PCB is suitable to work (with the use of appropriate jumpers) either Common Cathode and Common Anode.

On the second page the jumpers and guidelines have been deleted , and PCB is ready to print.
 Print Second Page directly on an Acetate , in your common inkjet printer.
 The PCB is given to you in normal dimensions; it is not reduced or enlarged.

***BE CAREFULL: What you see on second page is the side of parts **and not** the side of copper.
 That means, that when you print PCB on acetate, you have to place it on copper plate upside down

Regards
 George Vasiliou
 GREECE

