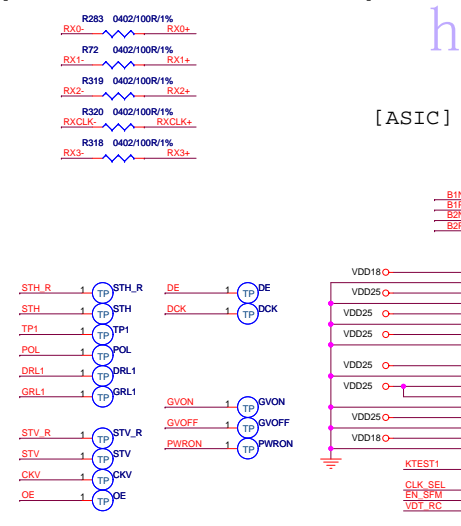
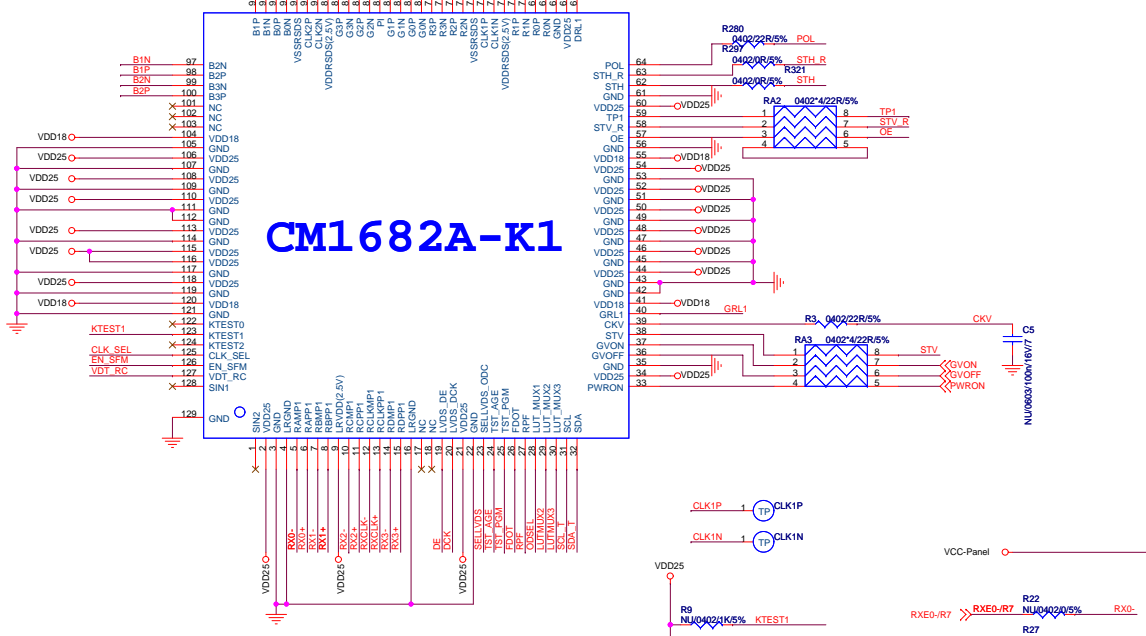


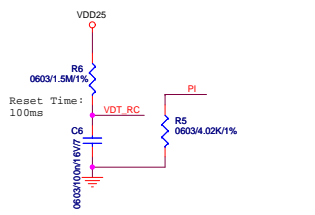
[LVDS Terminator near T-CON]



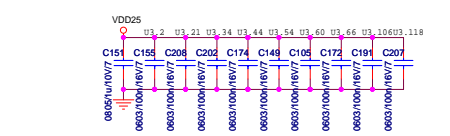
[ASIC]



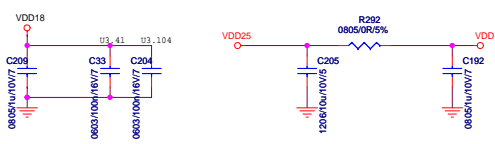
[ASIC Settings]



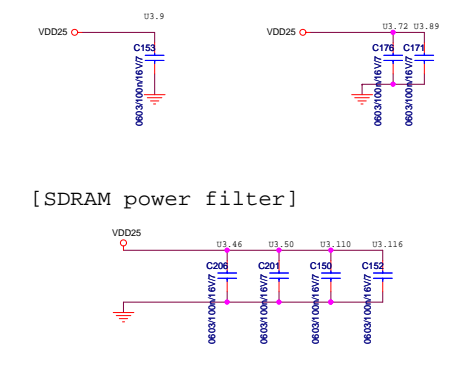
[T-CON I/O power]



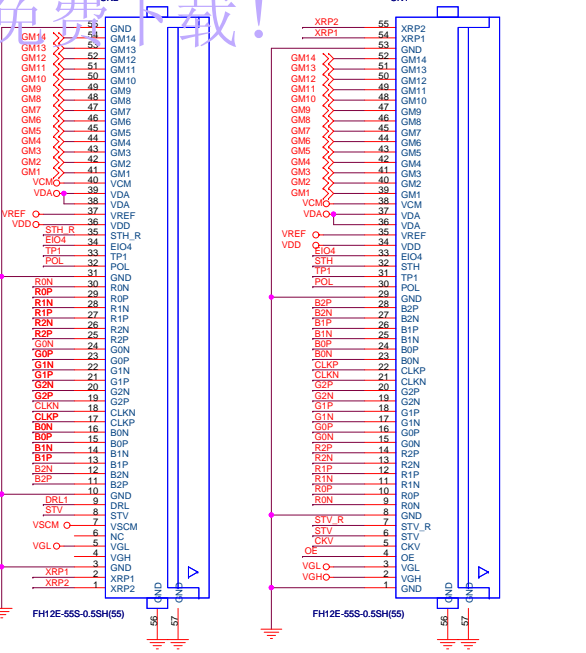
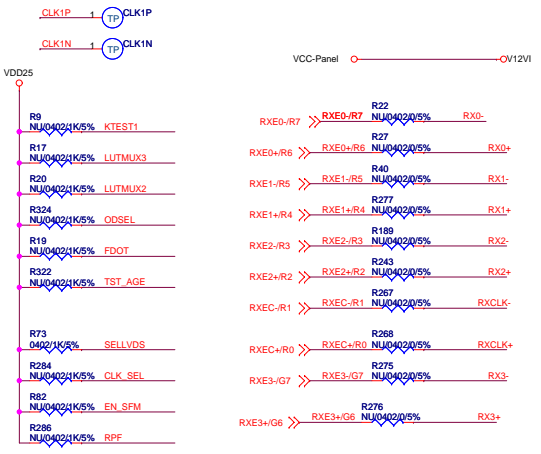
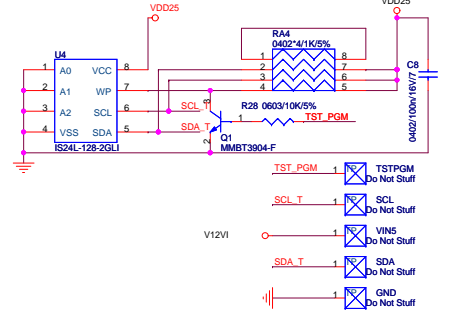
[T-CON Core power]



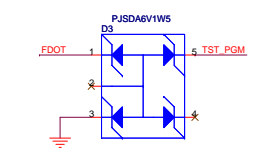
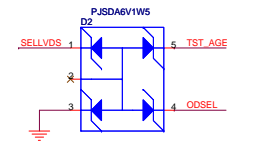
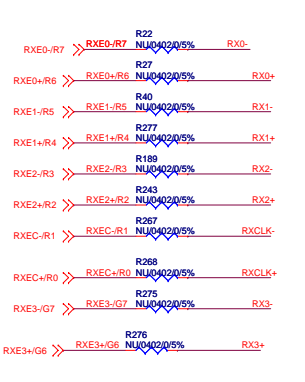
[T-CON LVDS power][T-CON RSDS power]



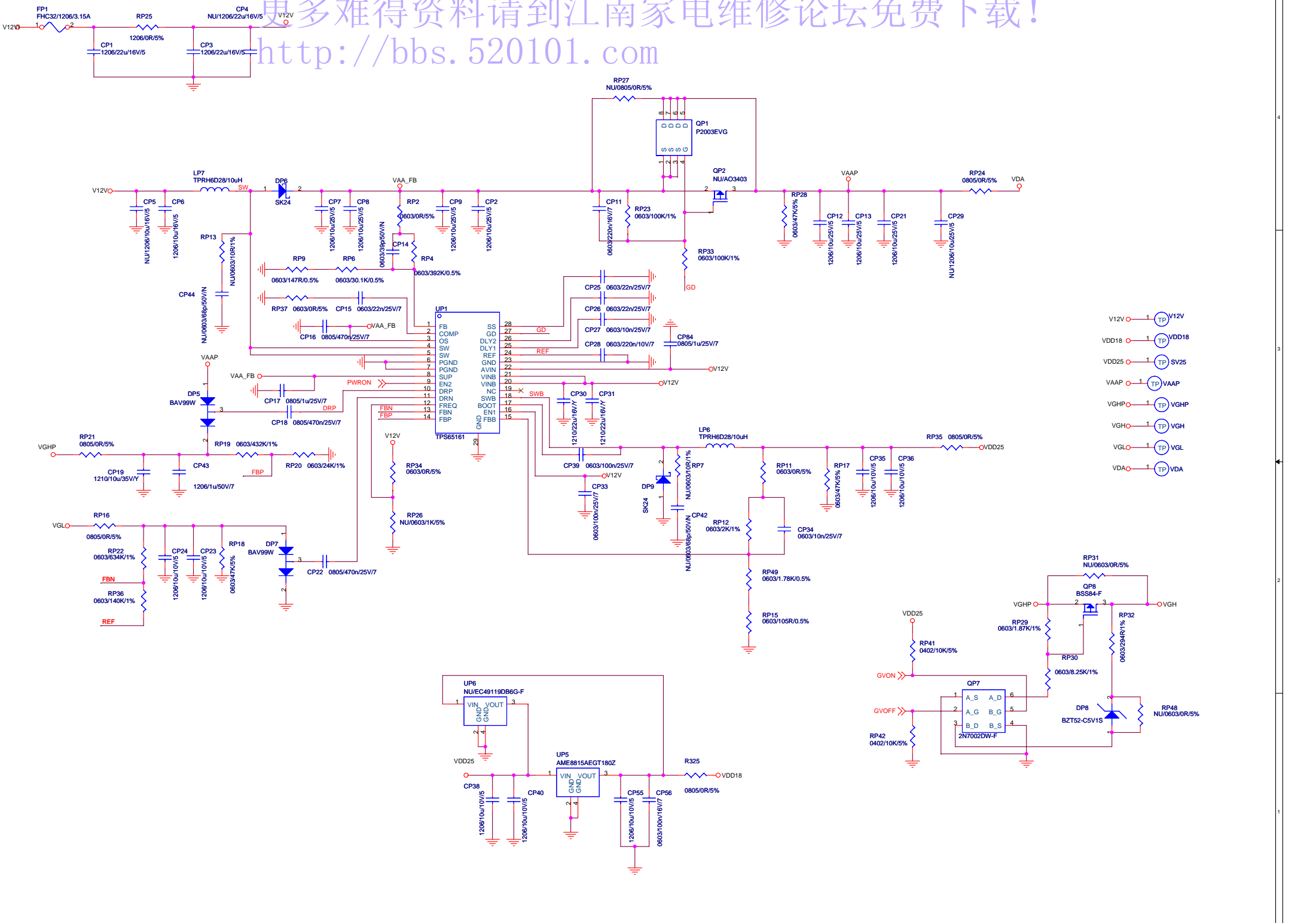
[I2C EEPROM for LUT]



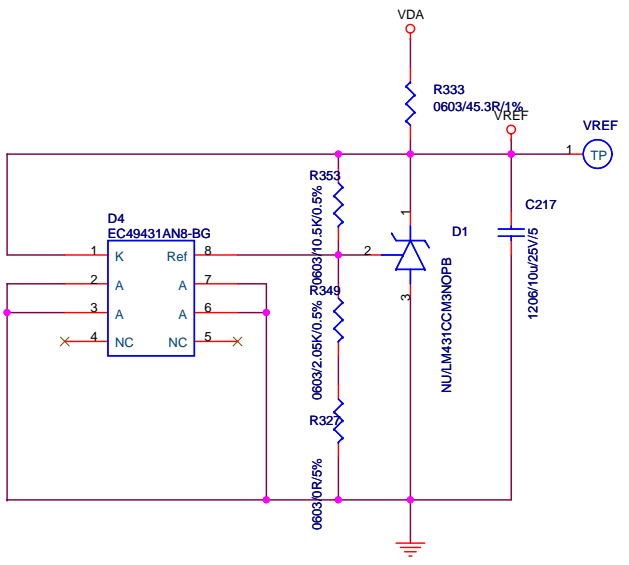
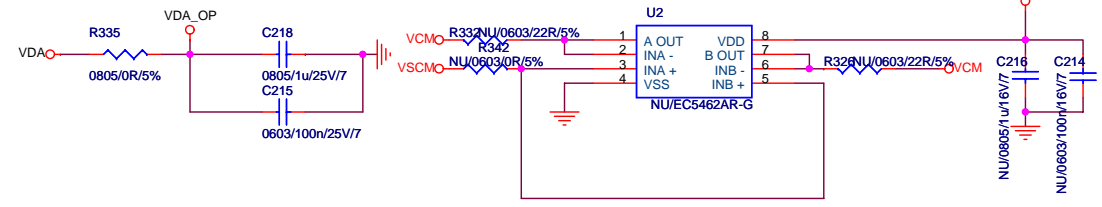
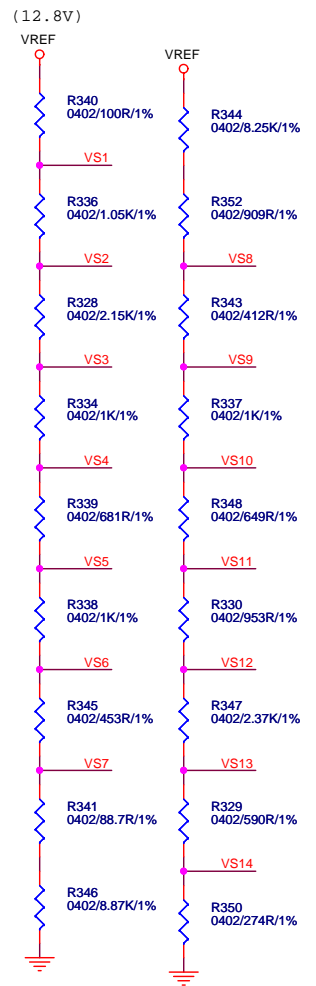
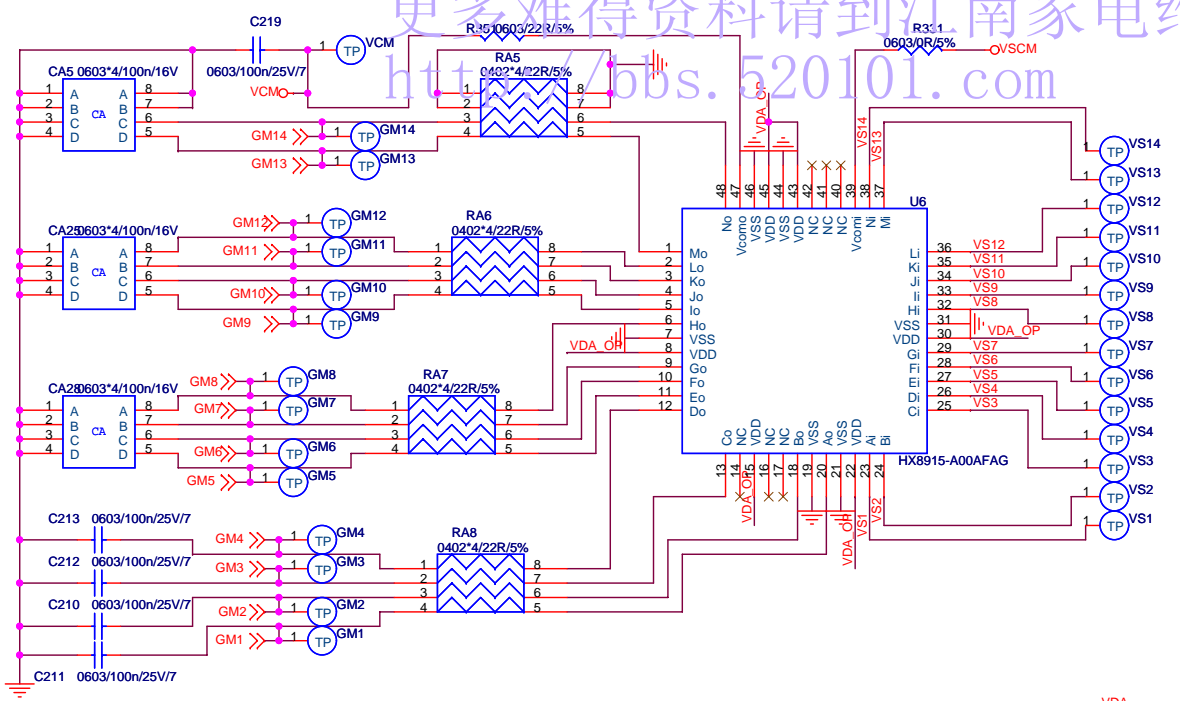
VCC-Panel O-V12V1

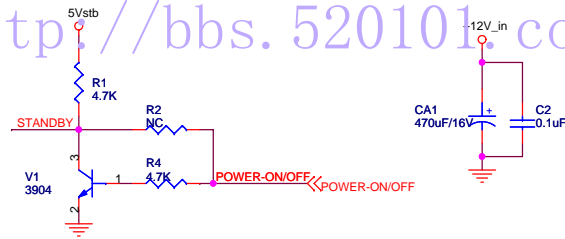


- TST_PGM 1 Do Not Stuff
- SCL_T 1 Do Not Stuff
- V12V1 1 Do Not Stuff
- SDA_T 1 Do Not Stuff
- GND 1 Do Not Stuff

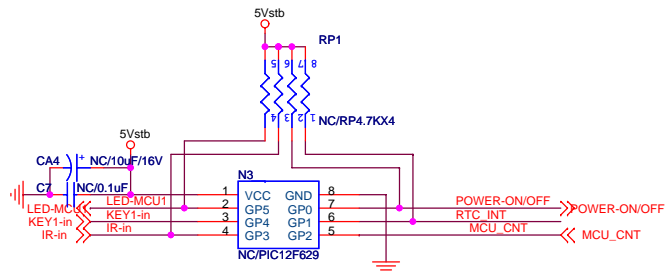
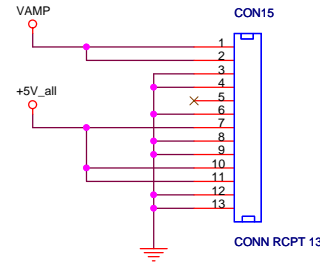
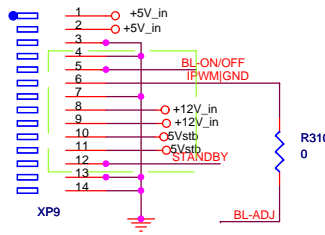
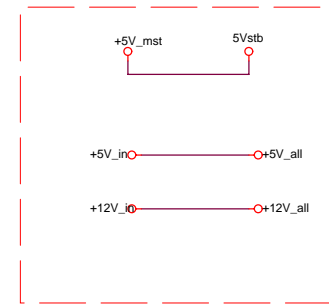


- V12V TP
- VDD18 TP
- VDD25 TP
- VAA TP
- VGH TP
- VGL TP
- VDA TP

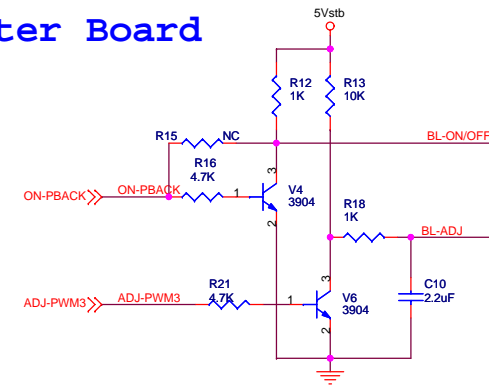




更改部分



TO Inverter Board



Title		
<Title>		
Size	Document Number	Rev
A3	MST9E19A	2.0
Date:	Saturday, August 16, 2008	Sheet 1 of 19

Vcc3.3for MST9E19A analog

Vcc1.8 for MST9E19A

+3.3AVDD for AVDD_HDMI

+3.3AVDD for AVDD_AU

+3.3AVDD for AVDDA

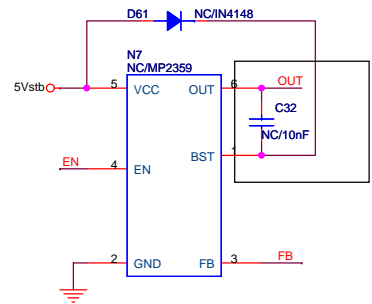
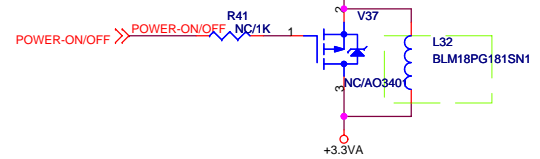
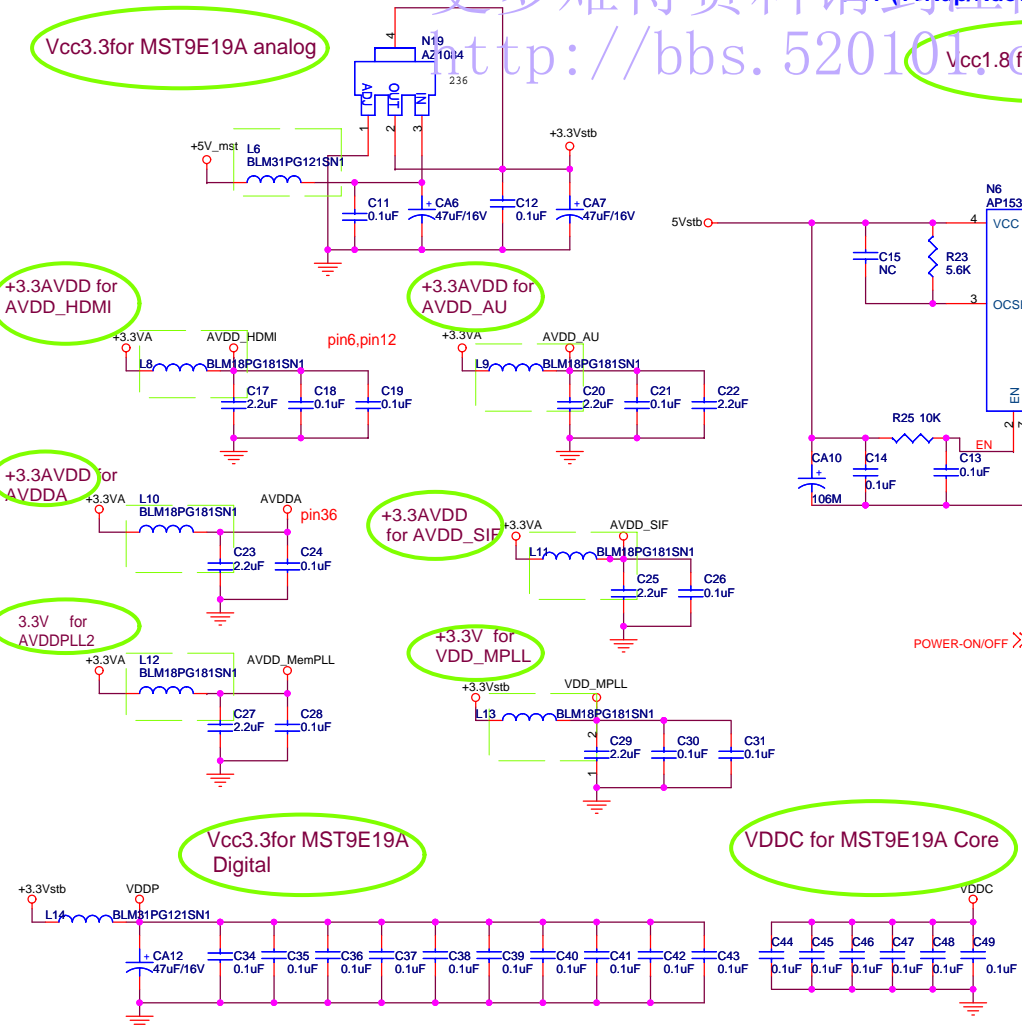
+3.3AVDD for AVDD_SIF

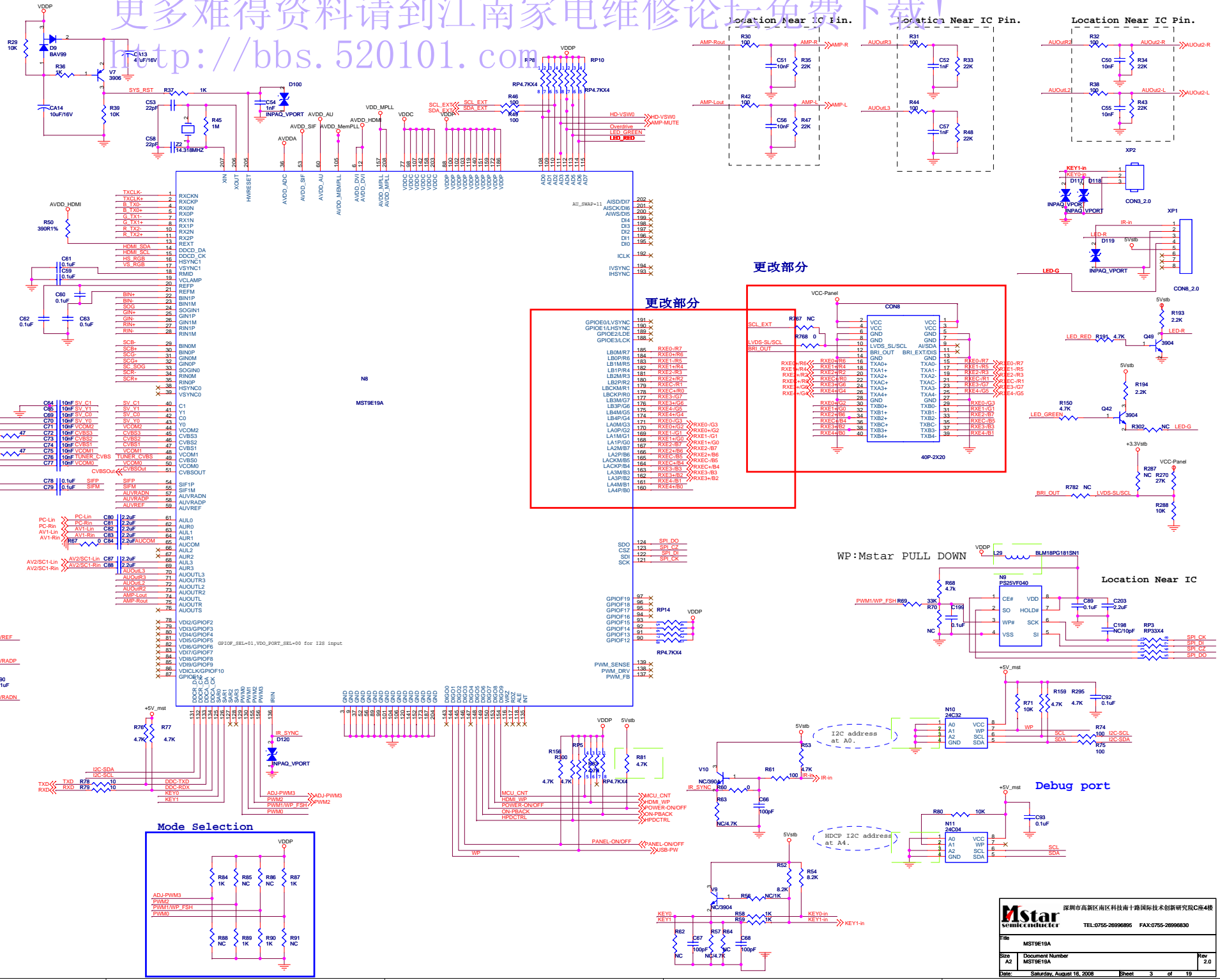
3.3V for AVDDPLL2

+3.3V for VDD_MPLL

Vcc3.3for MST9E19A Digital

VDDC for MST9E19A Core





更改部分

更改部分

WP:Mstar PULL DOWN

Location Near IC

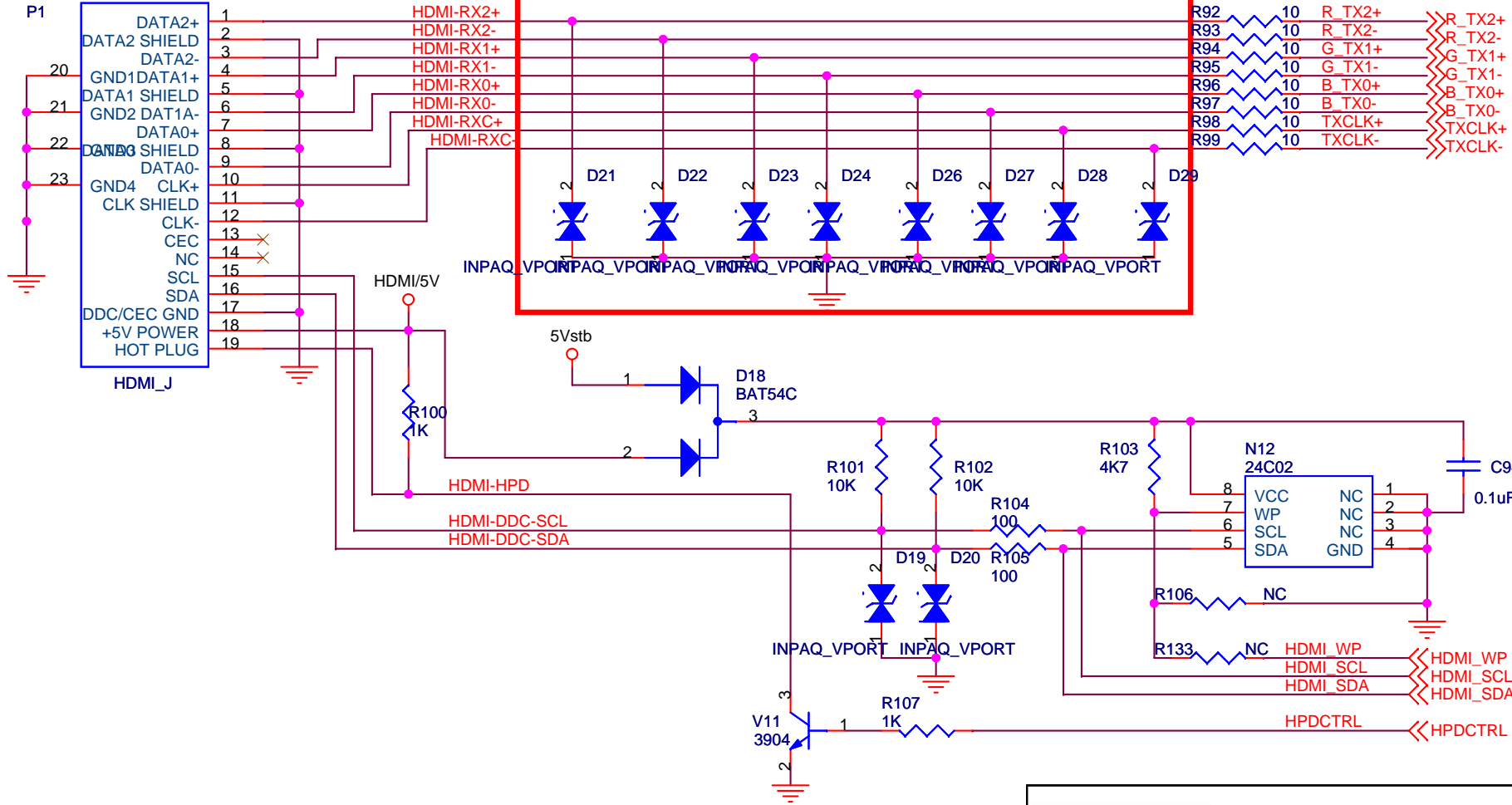
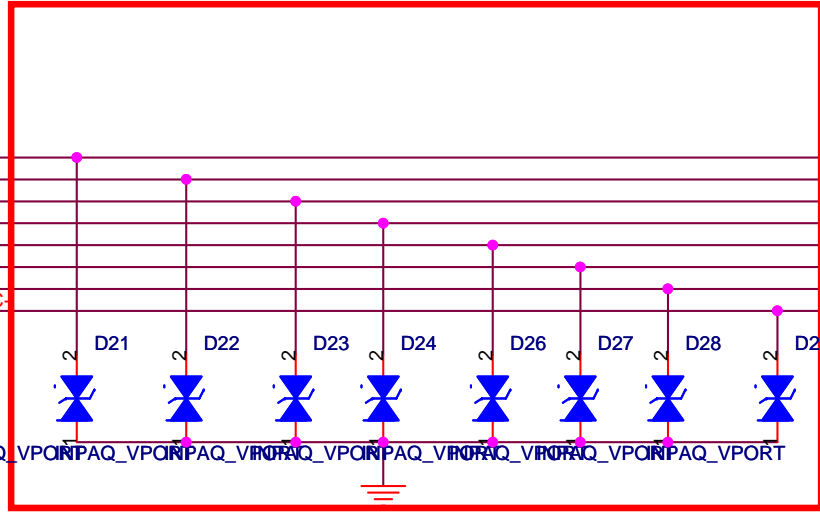
Debug port

Mstar
semi conductor

深圳市高新区南区科技南十路国际技术创新研究院C栋6楼
TEL:0755-26996895 FAX:0755-26996830

File: MST9E19A
Size: A2 Document Number: MST9E19A Rev: Z.0
Date: Saturday, August 16, 2008 Sheet: 3 of 19

更改部分



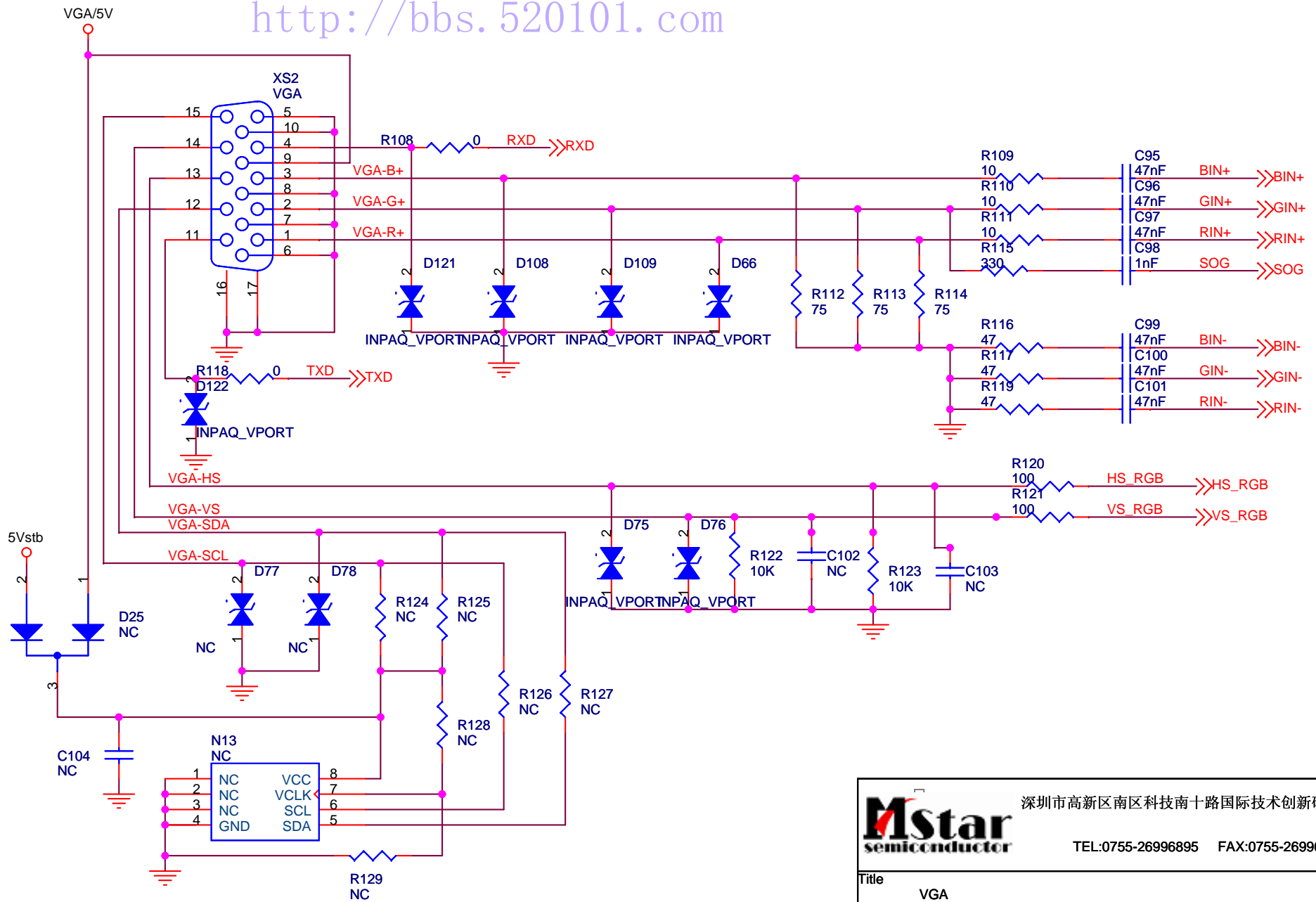
深圳市高新区南区科技南十路国际技术创新研究院C座4楼


Mstar semiconductor
 TEL:0755-26996895 FAX:0755-26996830

Title: HDMI

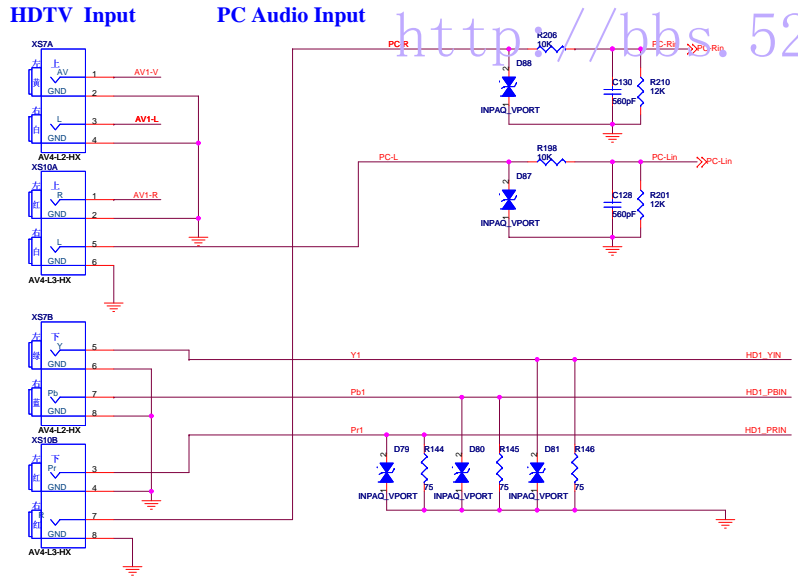
Size A	Document Number MST9E19A	Rev 2.0
--------	--------------------------	---------

Date: Saturday, August 16, 2008 Sheet 4 of 19

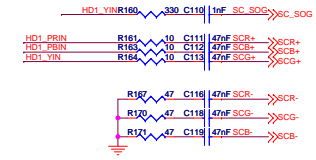
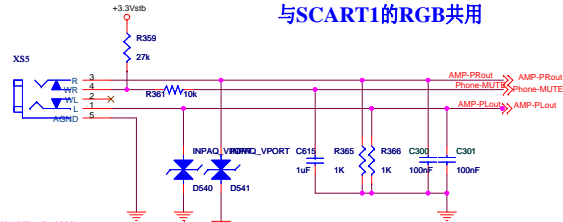



 深圳市高新区南区科技南十路国际技术创新研究院C座4楼
 TEL:0755-26996895 FAX:0755-26996830

Title VGA		
Size A	Document Number MST9E19A	Rev 2.0
Date: Saturday, August 16, 2008	Sheet 5	of 19

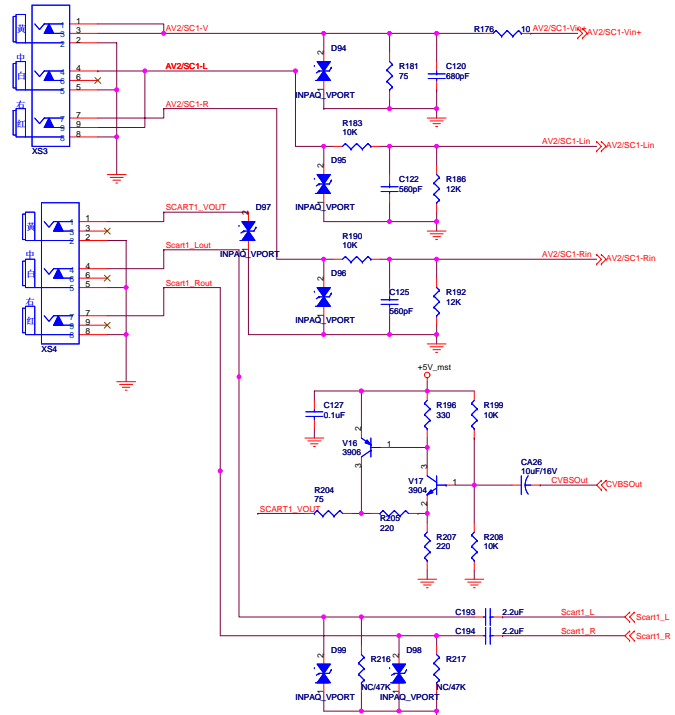
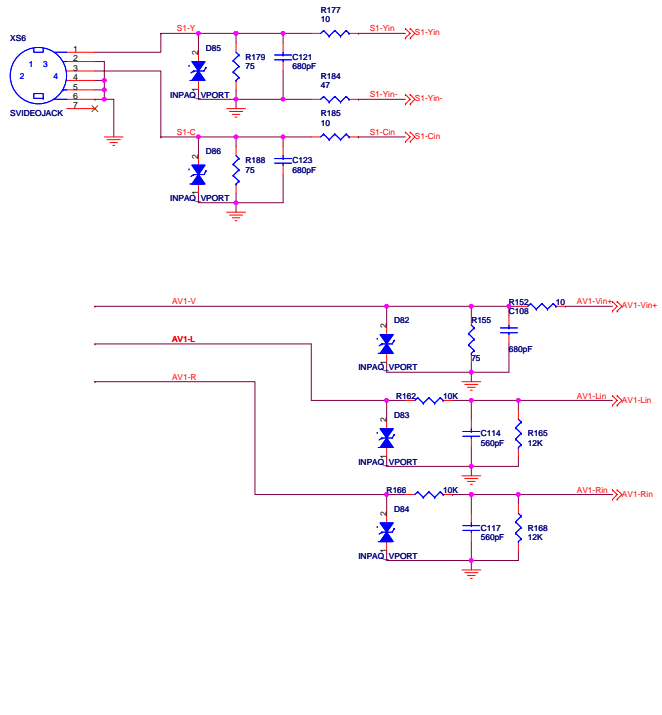


USB读卡器的图像YPbPr格式与SCART1的RGB共用

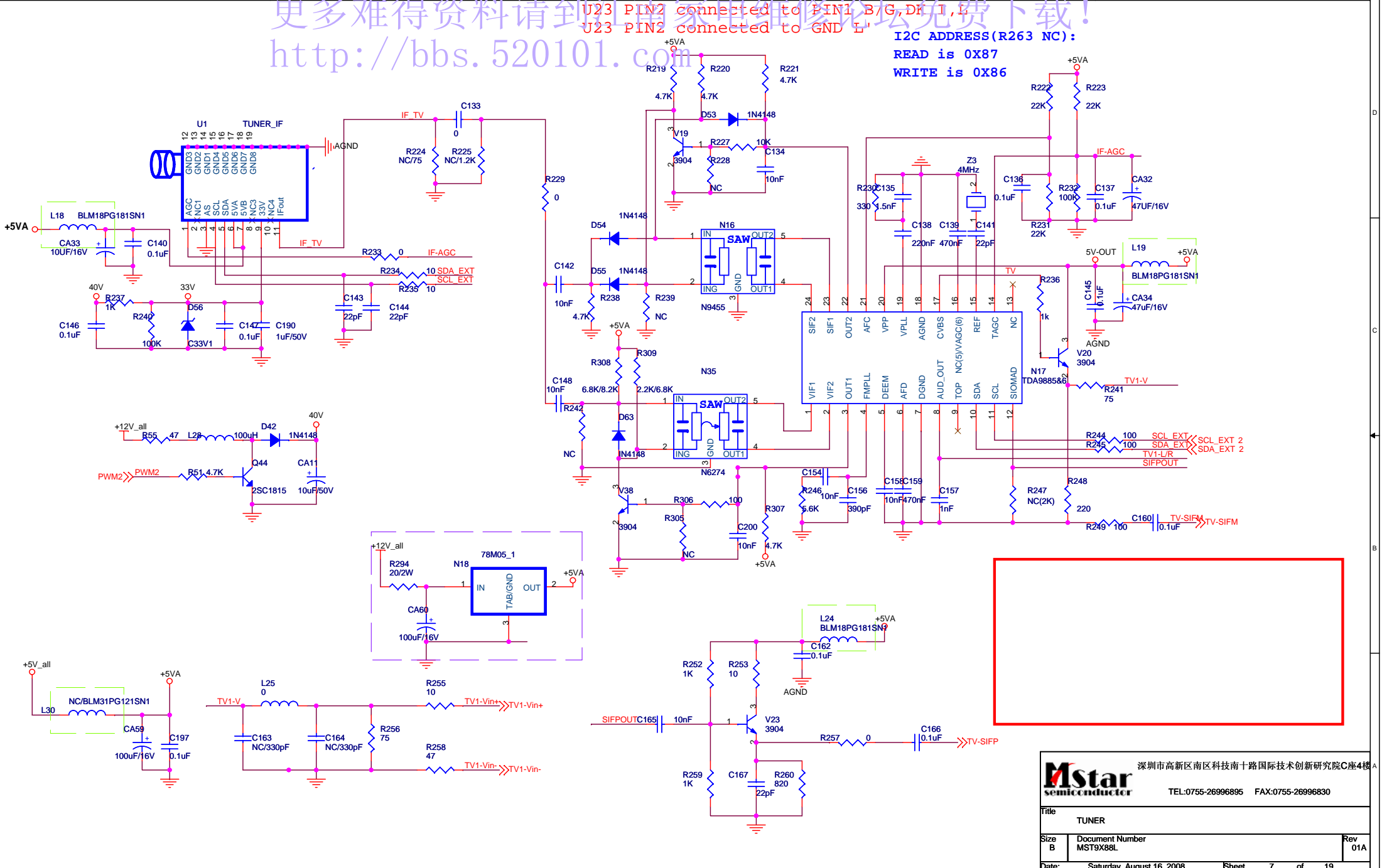



新排布线，前面加端子，临时封装

OR AV2&AVOUT

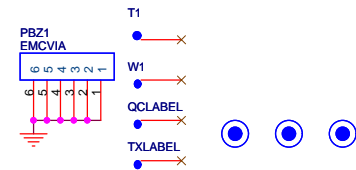
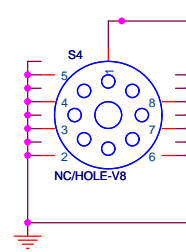
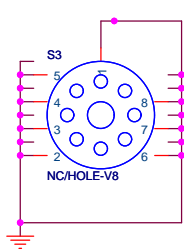
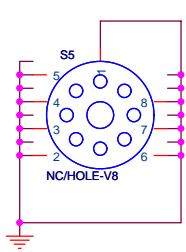
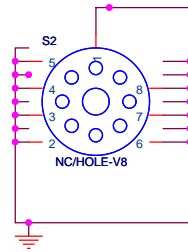
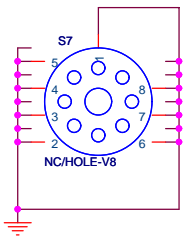
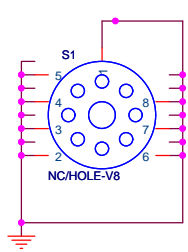
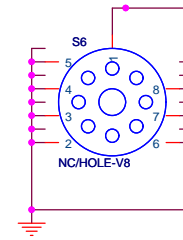
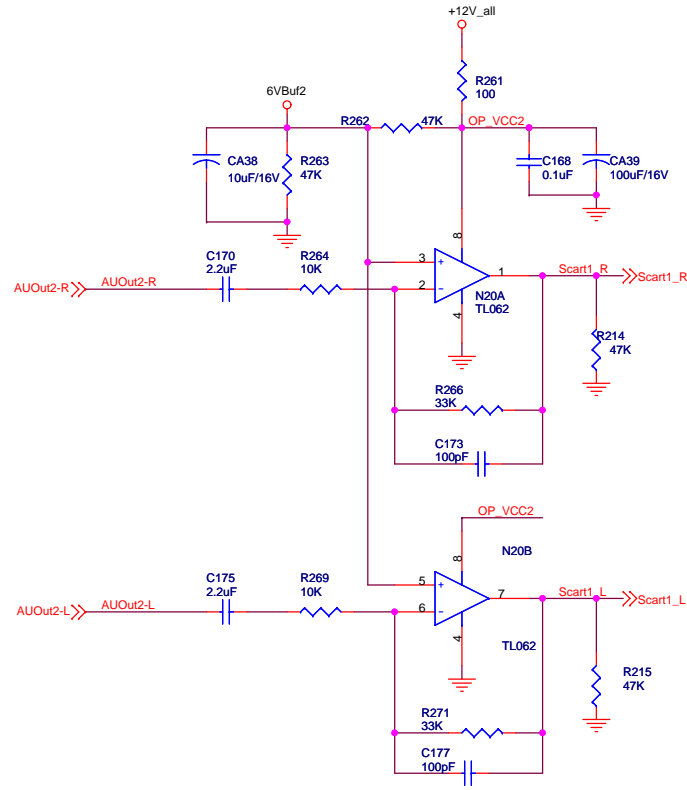


更多难得资料请到<http://bbs.520101.com> U23 PIN2 connected to PIN1 B/G, DR I, L U23 PIN2 connected to GND L' I2C ADDRESS(R263 NC):
 READ is 0X87
 WRITE is 0X86



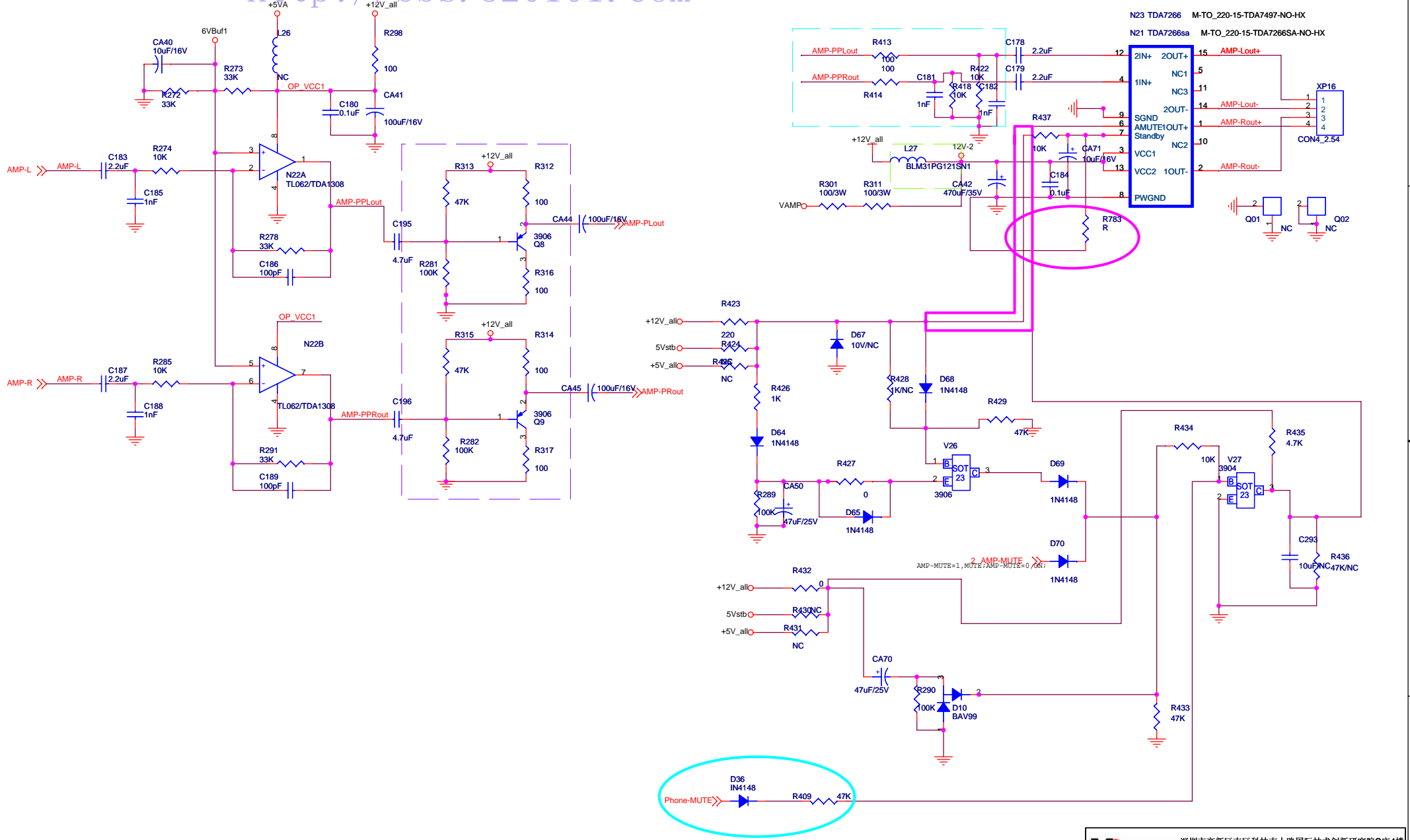

 深圳市高新区南区科技南十路国际技术创新研究院C座4楼A
 TEL:0755-26996895 FAX:0755-26996830

Title TUNER		
Size B	Document Number MST9X88L	Rev 01A
Date:	Saturday, August 16, 2008	Sheet 7 of 19



Title		
MSTAR		
Size	Document Number	Rev
A3	MST9E19A	0.01
Date:	Tuesday, August 19, 2008	Sheet 8 of 19

FOR TDA1308/PT2308 L26 FE,R298 NC;
 FOR TL062 L26 NC,R298 0;



Mstar
 semiconductor

深圳市高新区南区科技南十路国际技术创新研究院C座4楼
 TEL:0755-26996895 FAX:0755-26996830

Title TDA1517		
Size A3	Document Number MST9E19A	Rev 2.0
Date: Saturday, August 16, 2008	Sheet 9	of 19

