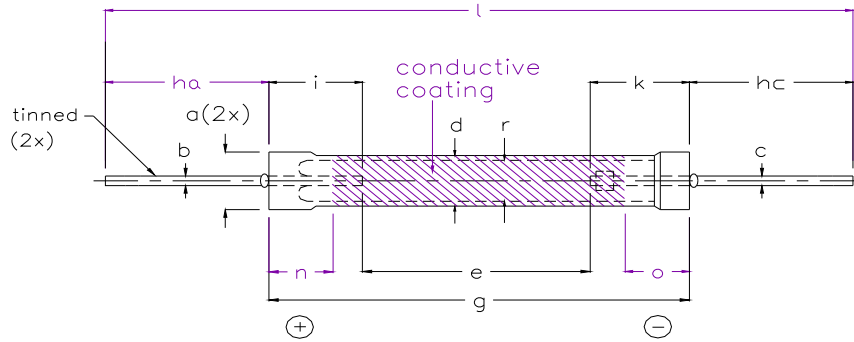


<b>Device Name:</b> BGA 0013 /202	<b>Page # :</b> 1 of 1
<b>Mechanical Data :</b>	<b>Date :</b> 08/14/2003
	<b>Rev Date :</b> Index #:
	<b>ISSUED BY :</b>



<b>e</b>	13+/-1	<b>x</b>		
<b>l</b>	27+/-1	<b>n/o</b>		
<b>d</b>	2.5+/-0.1	<b>c</b>		
<b>r</b>	1.5+/-0.1	<b>hc</b>	2.3+/-0.7	
<b>g</b>	21+/-1	<b>ha</b>	3.7 appr	
<b>b</b>				

Remarks :

**Operating Data :**

**Type of Circuit : External**

Max flash energy $E_{max}/Ws$		Trigger coil $Tr$	ZS 1092
Nom flash energy $E_{nom}/Ws$	5.9	Trigger capacitor $Cz/\mu F$	0.022
Max anode voltage $U_{amax}/V$	330	Min trigger voltage $U_{zmin}/V$	230
Nom anode voltage $U_{anom}/V$	300	Trigger contact $S$	THY
Min anode voltage $U_{amin}/V$	230	Repetition rate /Frequency	30 sec
Nom flash capacitor $C_B/\mu F$	130	Life/Number of flashes/ $N$	3000
Series resistor $R/m \Omega$		Light reduction after life/%	< 15
Series inductance $L/\mu H$		Sec trigger voltage $U_{zsec}/kV$	- 4.5
Max $I_{peak} /A$ at $U_a =$			

Customer Reference :

Remarks :