

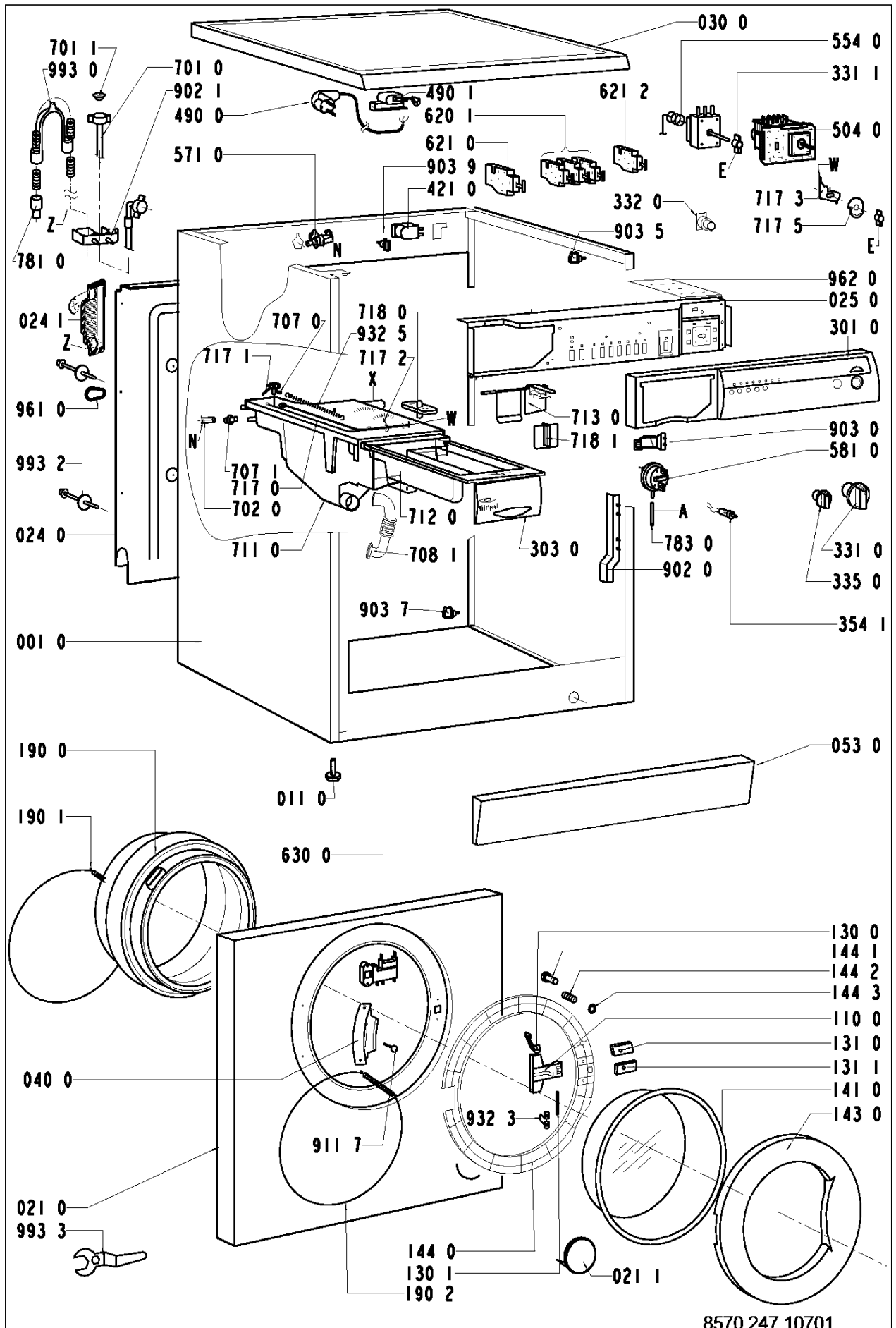
Spare part list

Model AWM 247/3
Service No. 857024710701
Version 857024710701

Pos. No.	12NC Code	Description
001 0	4819 440 19716	Cabinet
011 0	4819 462 48472	Foot
021 0	4819 440 19715	Front
021 1	4812 440 19343	Flap
024 0	4819 440 19892	Panel, rear
024 1	4819 418 79837	Box hose
025 0	4812 440 19346	Holder Control Device
030 0	4819 440 19788	Table top
040 0	4812 417 18787	Hinge
053 0	4819 440 19791	Plinth
061 0	4812 466 88458	Counter weight upper
061 1	4812 466 88459	Counter weight front
080 0	4812 529 18038	Shock absorber 800-1000
084 0	4812 466 58001	Silent bloc
086 2	4812 401 18412	Stopper
110 0	4812 498 18139	Handle,door white
130 0	4812 417 28046	Lock Door
130 1	4812 417 28045	Pin Door Lock
131 0	4812 417 28047	Plate Door lock
131 1	4812 417 28048	Plate Doorlock Lower
141 0	4812 450 68219	Door glass
143 0	4819 532 28286	Glassdoor frame
144 0	4812 459 28043	Frame,door glas
144 1	4812 498 18137	Knob Door safety
144 2	4812 492 58023	Spring Door Safety
144 3	4812 290 68153	Holder,adjust. Door Safety
190 0	4812 460 68527	Door bellow
190 1	4812 492 18017	Strap
190 2	4819 530 58059	Ring
200 1	4819 418 18378	Tub front
200 2	4819 418 18377	Tub non removable 600/1000
200 4	4812 290 88054	Clamp for tub WH
220 0	4819 418 18333	Drum
271 0	4812 358 18056	V-ribbed belt WH 1250 J5
272 0	4812 528 58027	Pulley DIAM.298
292 0	4812 530 58101	Gasket Tub
301 0	4819 453 28301	Control panel
303 0	4819 498 78408	Handle
331 0	4819 412 58752	Knob,timer
331 1	4812 413 18198	Adapter Button
332 0	4812 410 28562	Push button
335 0	4819 412 58753	Knob thermostat
354 1	4819 134 48497	Pilot lamp
401 0	4819 361 58259	Motor
421 0	4819 121 18271	Interf.filter
430 0	4812 360 18383	Pump
451 0	4819 259 28932	Heating element
490 0	4819 321 18136	Cable,mains 2m
490 1	4812 321 28367	Strain relief
504 0	4819 310 39767	Timer Kit 1B EC4526.01
554 0	4819 282 48313	Thermostat
571 0	4812 271 28375	Valve,magnet Single
581 0	4812 271 28381	Pressostat EATON
620 1	4819 410 29005	Switch Options N.C.
621 0	4819 410 29004	Switch ON/OFF

Pos. No.	12NC Code	Description
621 2	4819 410 29006	Switch spin options
630 0	4812 280 58019	Door lock
701 0	4819 530 28848	Hose, inlet
701 1	4819 466 69704	Gasket and filter
702 0	4819 530 29019	Hose intern
707 0	4812 526 48031	Nozzle Distribution
707 1	4812 526 48028	Nozzle
708 1	4812 530 48143	Bend
711 0	4812 418 88026	Dispenser WH-4CH
712 0	4812 418 78047	Drawer
713 0	4812 418 88028	Flap Detergent Cont.
717 0	4819 321 28092	Bowden cable
717 1	4812 321 38013	Lever , Nozzle
717 2	4812 321 38012	Holder,adjust.
717 3	4812 278 88007	Slide
717 5	4819 528 38444	Cam
718 0	4812 526 48032	Siphon
718 1	4812 418 88024	Accessory
753 1	4819 418 68234	Chamber,air
754 0	4812 530 28826	Drainhose
754 1	4812 530 28832	Lock eco
754 2	4812 530 28829	Flange eco
760 0	4819 480 58075	Filter
760 1	4812 418 68138	Gasket Sieve / Rough
781 0	4819 530 29032	Hose,draining
783 0	4812 530 28827	Hose Pressostat
787 0	4812 530 28813	Hose
794 5	4812 530 58095	Gasket Air trap
901 0	4819 401 18529	Clamp,hose
901 2	4819 401 18868	Clamp,hose
901 3	4812 401 18414	Clamp,hose
902 0	4812 290 88049	Bracket
902 1	4812 255 18204	Holder Hose outlet
903 0	4812 255 18205	Holder Pressostat
903 5	4812 290 88048	Cable clamp
903 7	4819 401 18823	Clamp
903 9	4812 290 88046	Cable clamp
910 1	4812 505 18368	Nut M10
911 7	4812 903 08014	Screw M5x12
923 0	4812 532 18024	Washer
931 0	4819 492 38139	Spring Suspension
932 3	4812 492 58022	Spring Door Lock
932 5	4812 492 38359	Spring , Nozzle
941 0	4812 520 28066	Bearing,ball 6204
941 1	4812 520 28002	Bearing,ball 6203 2Z C3
952 0	4819 466 69882	Gasket thermostat
953 0	4819 532 78224	Ring
961 0	4812 321 48004	Cover
962 0	4819 462 58403	Cover
990 0	4819 310 39227	Mounting kit Weight top
990 1	4819 310 39228	Mounting kit Weight bottom
993 0	4812 530 48017	Bow
993 2	4812 268 18015	Lever,security
993 3	4812 395 58004	Tool

Exploded view



Exploded view

