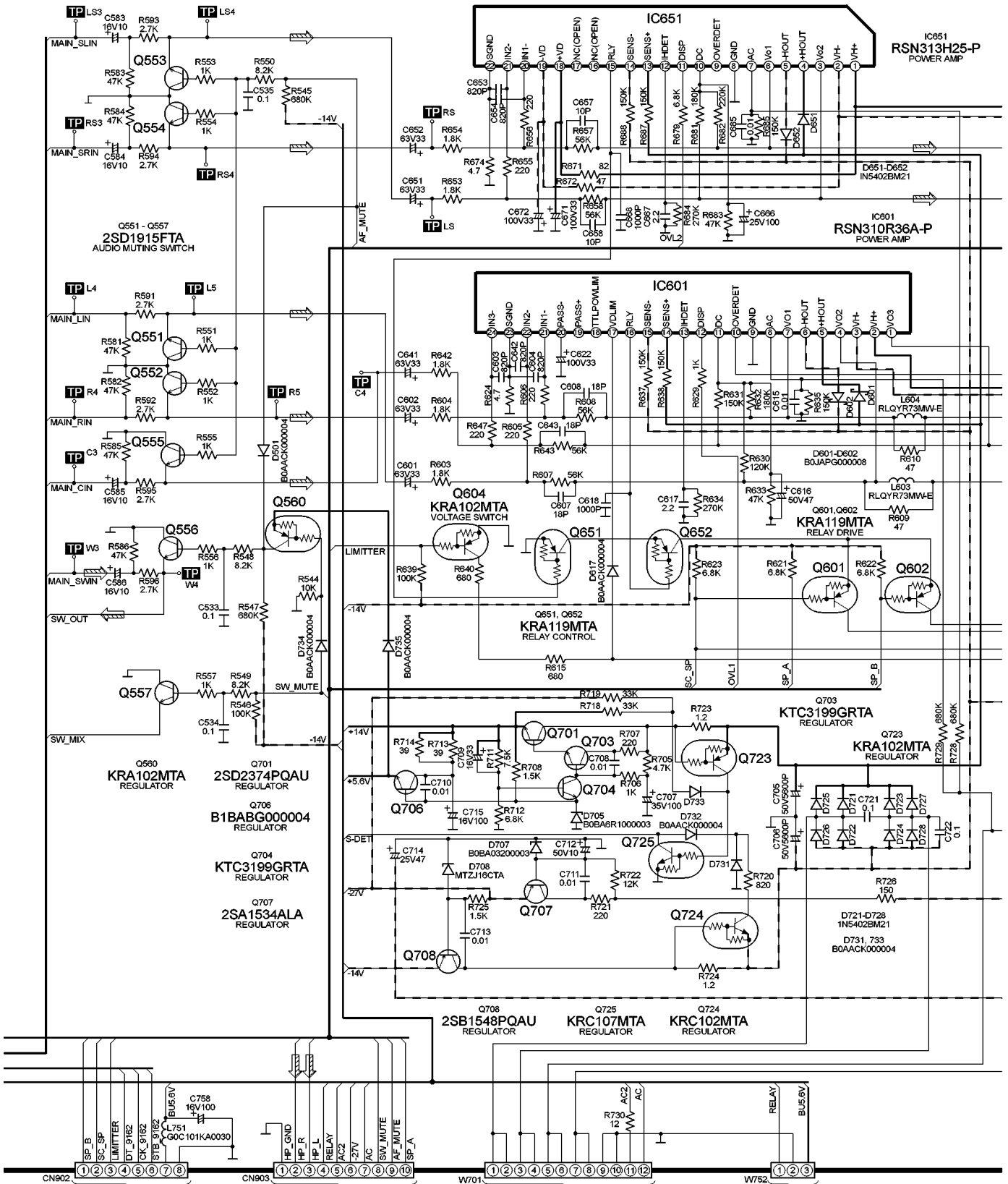


SCHEMATIC DIAGRAM - 8

B MAIN CIRCUIT

— : +B SIGNAL LINE - - - : -B SIGNAL LINE ⇨ : MAIN SIGNAL LINE



C TO PANEL CIRCUIT (CP902) ON SCHEMATIC DIAGRAM-10

C TO PANEL CIRCUIT (CP903) ON SCHEMATIC DIAGRAM-10

I TO SUB-TRANSFORMER CIRCUIT (W701) ON SCHEMATIC DIAGRAM-13

H TO TRANSFORMER CIRCUIT (W752) ON SCHEMATIC DIAGRAM-13