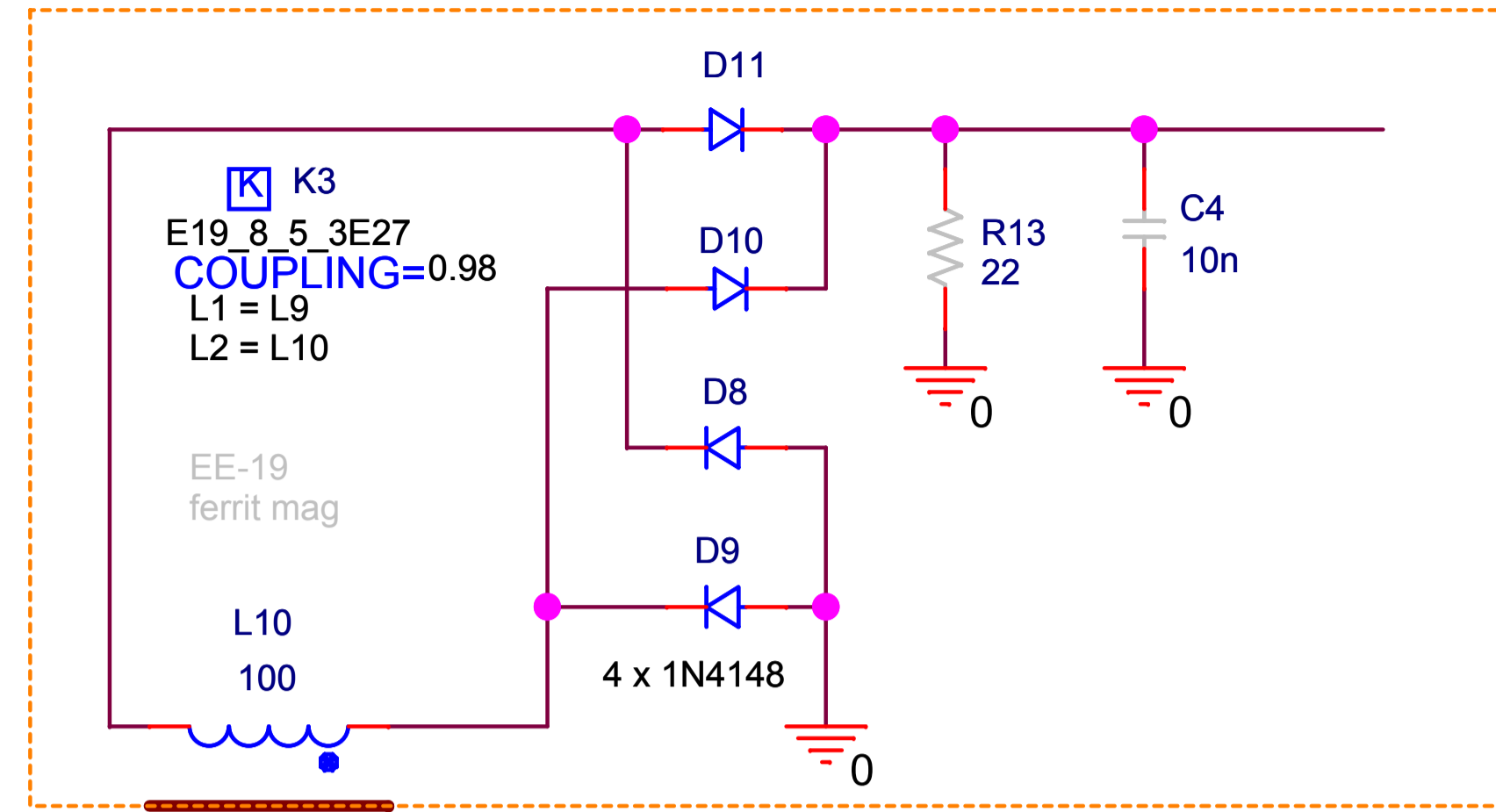
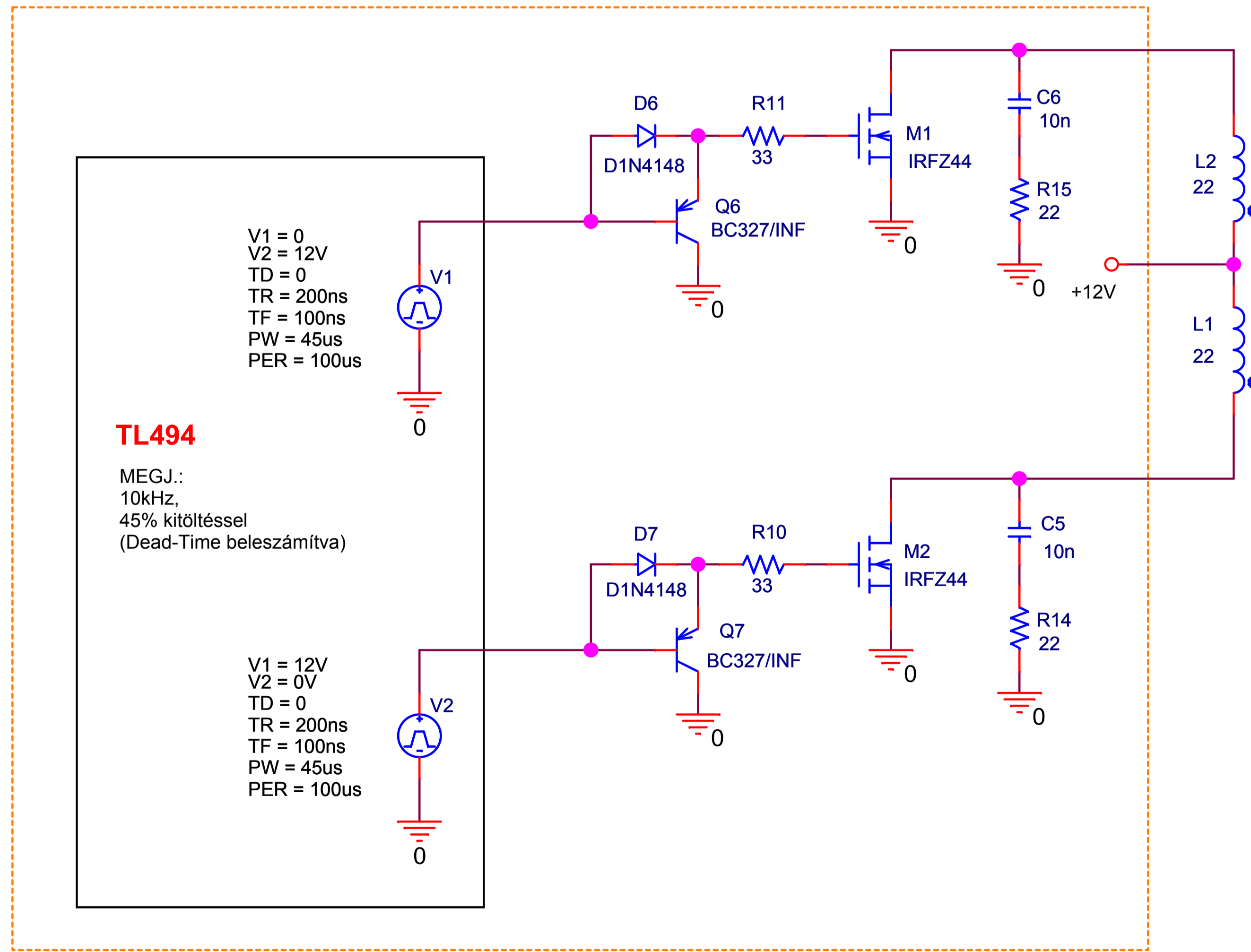
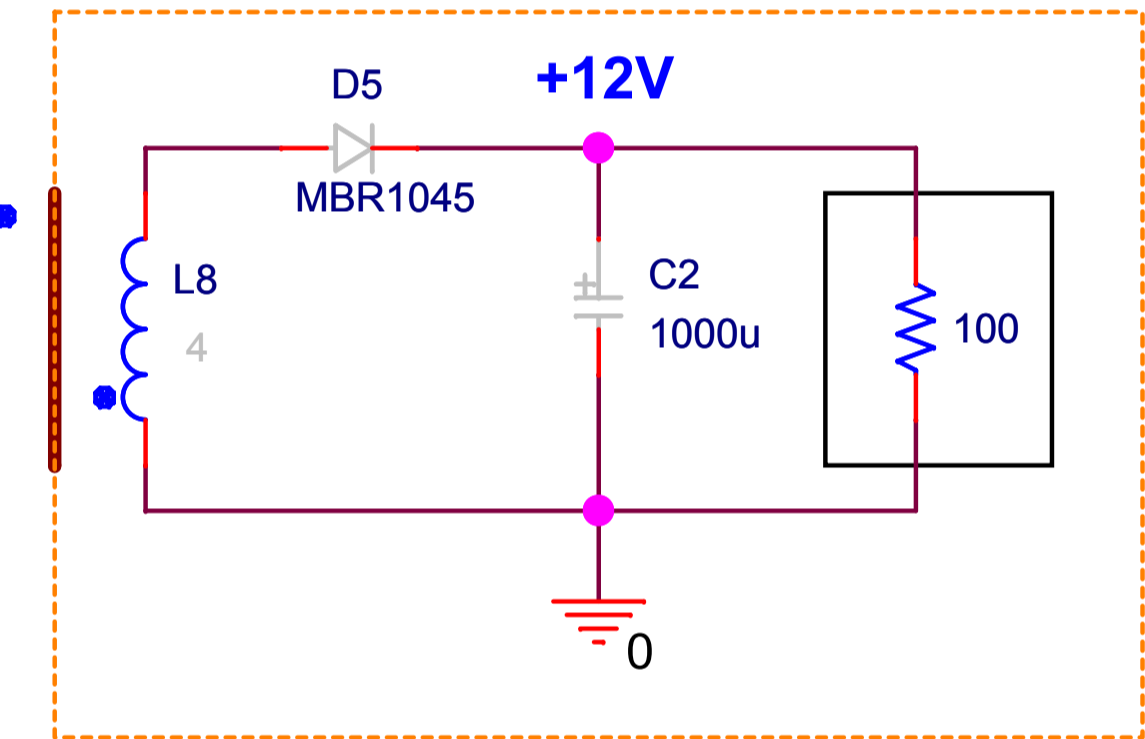


K1
E19_8_5_3C81
COUPLING=0.98
L1 = L1
L2 = L2
L3 = L3
L4 = L4
L5 = L5
L6 = L6



K4
ER42_3C30
COUPLING=0.98
L2 = L8
L1 = L7

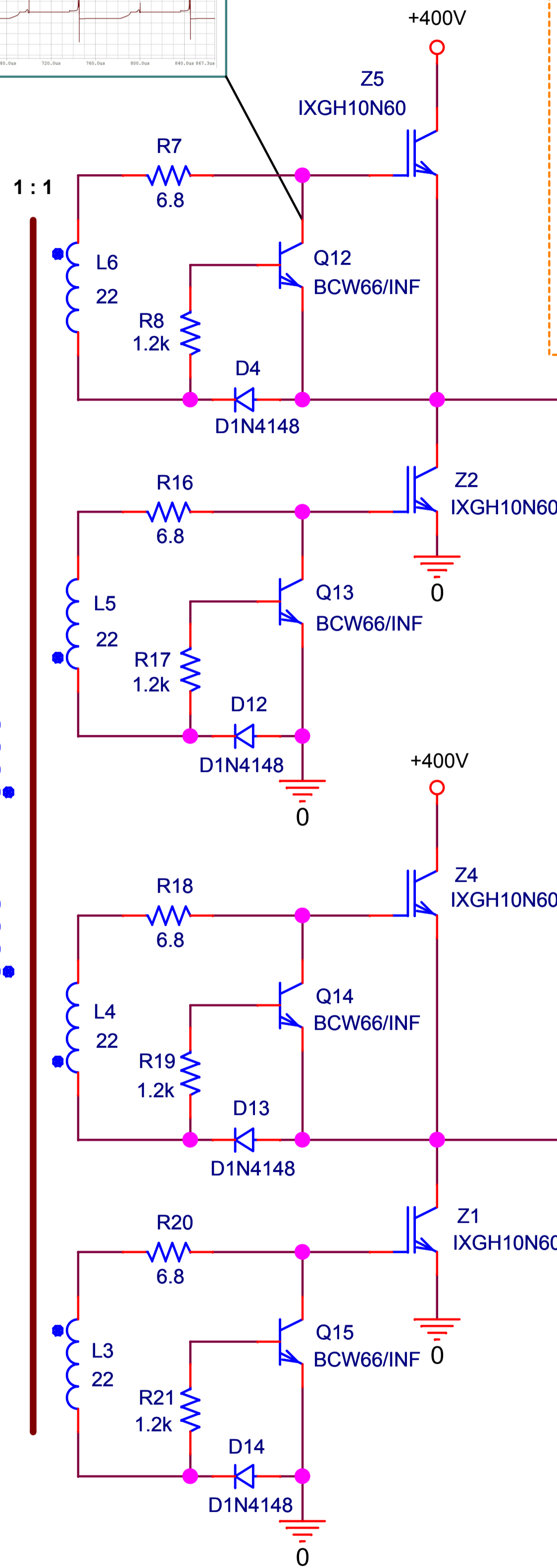


V1 = 0
V2 = 12V
TD = 0
TR = 200ns
TF = 100ns
PW = 45us
PER = 100us

TL494

MEGJ.:
10kHz,
45% kitöltéssel
(Dead-Time belezámítva)

V1 = 12V
V2 = 0V
TD = 0
TR = 200ns
TF = 100ns
PW = 45us
PER = 100us



1 : 1

+400V

+400V

+400V

0

L9

L7

C1

L3

0