



SR-315

Wireless Receiver

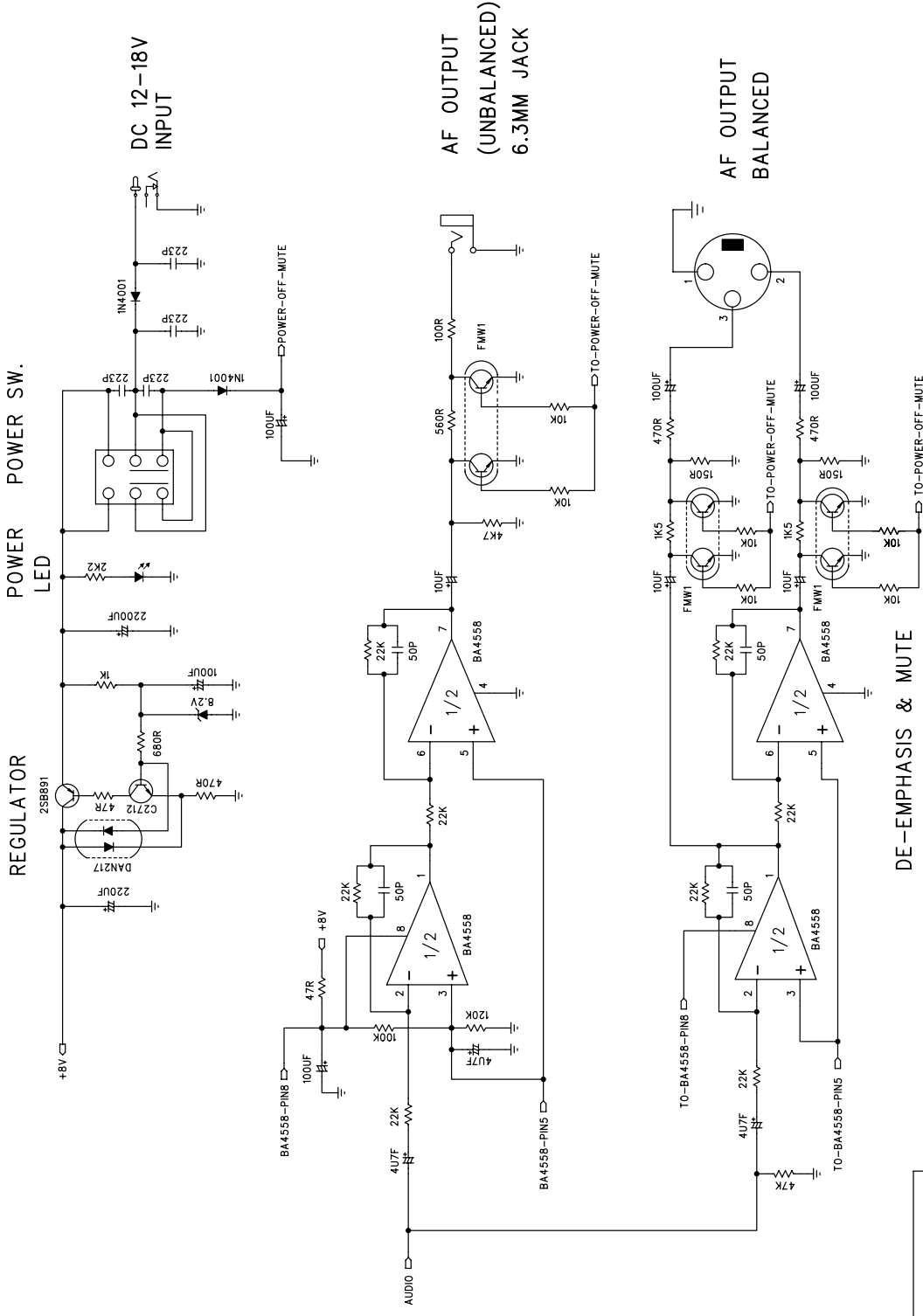
Service-Dokumente

Service-documents

Documents de service

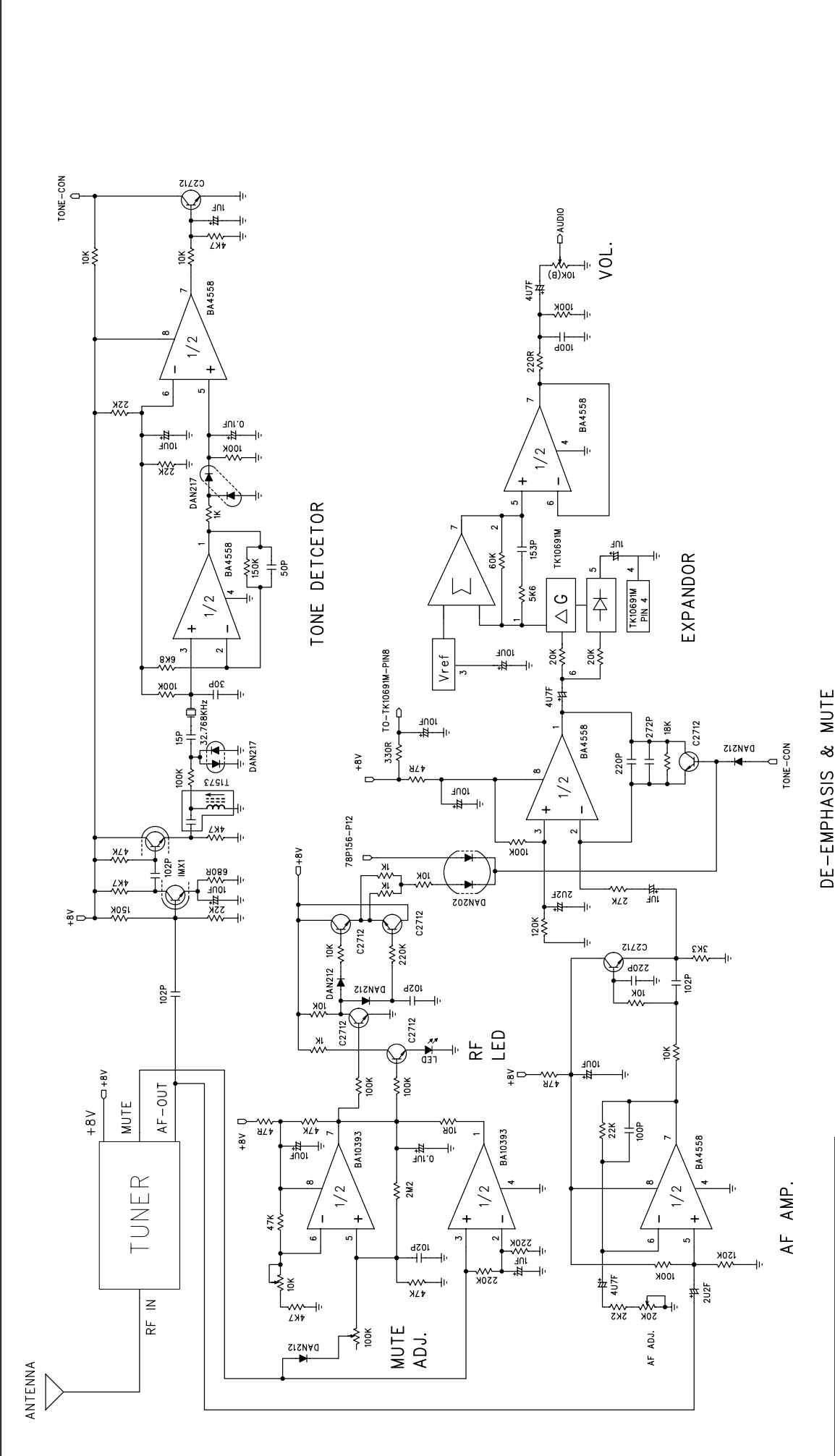
Documentos de servicio

Version 1.0



SCHMATIC DIAGRAM
 UHF BAND PLL SYSTEM
 WIRELESS RECEIVER
 MODEL: SR-315

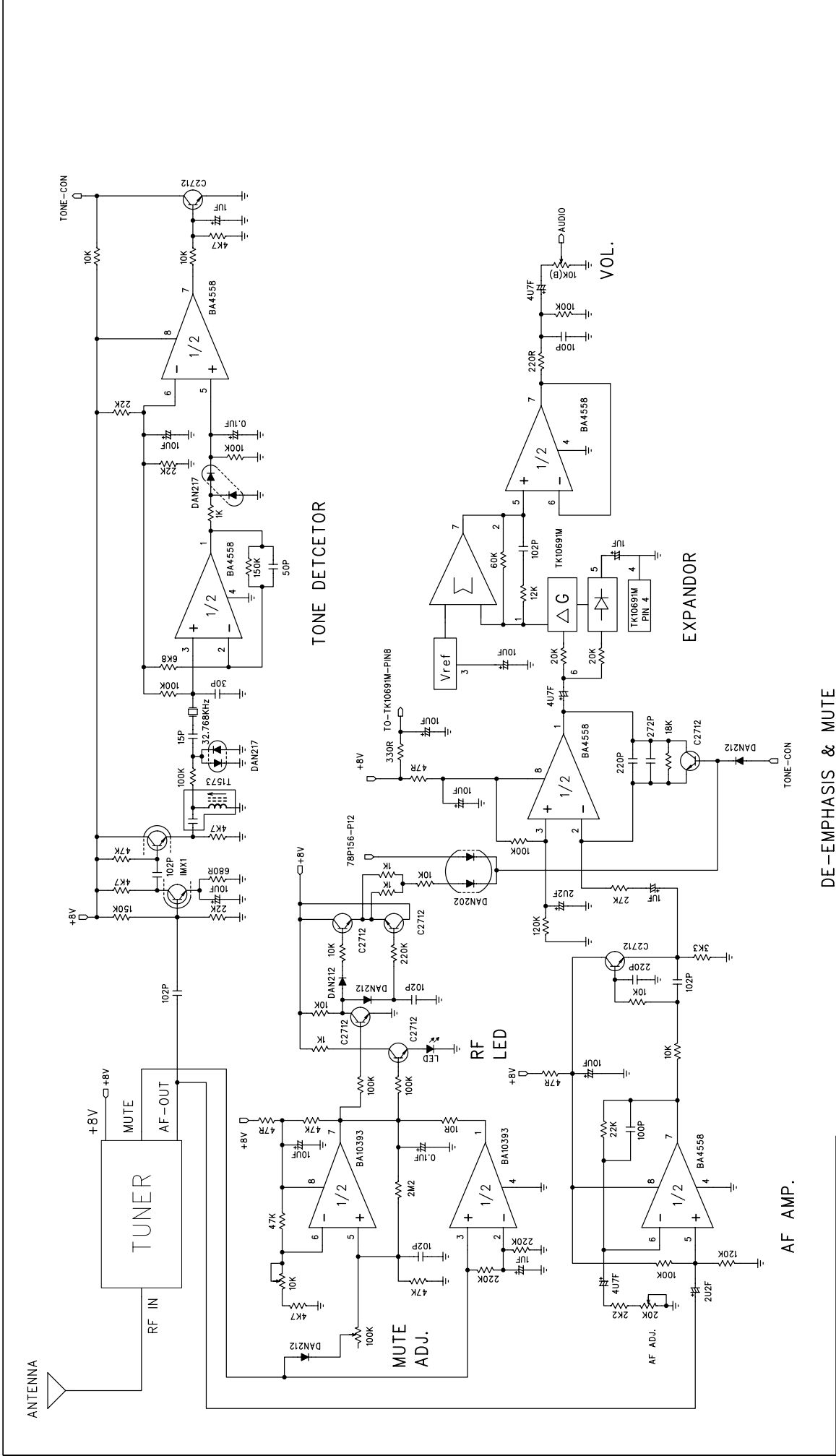
MODEL NO	FILES NAME	MATERIAL	PART NO.	VER:
DRAW BY	CHECK			SEP 12 2002



SCHMATIC DIAGRAM
 UHF BAND PLL SYSTEM
 WIRELESS RECEIVER
 MODEL: SR-315 AUDIO

DE-EMPHASIS & MUTE

MODEL NO	FILES NAME	MATERIAL	PART NO.
DRAW BY	CHECK	APPROVE	DATE
			SEP 12 2002
			VER: A

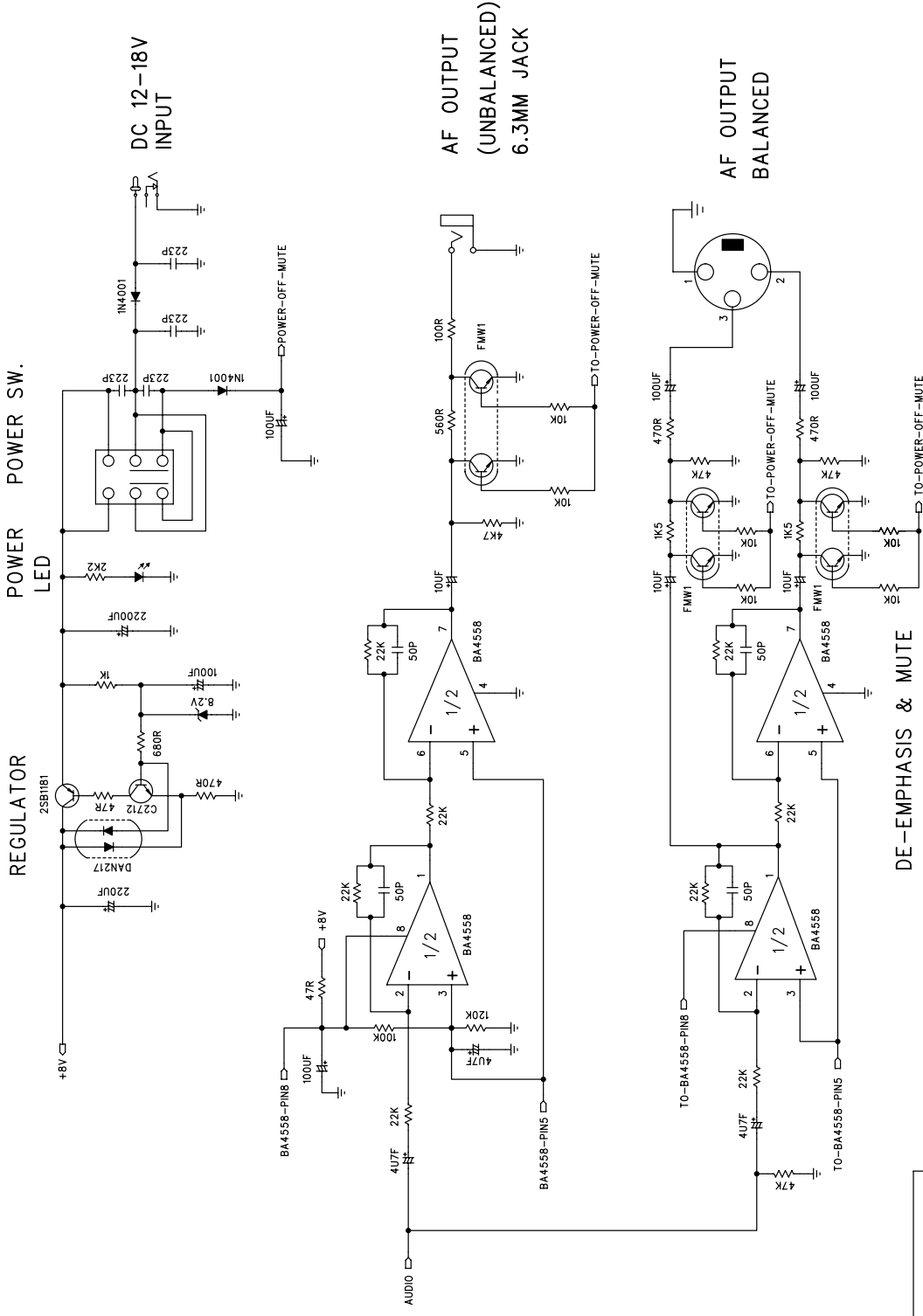


DE-EMPHASIS & MUTE

AF AMP.

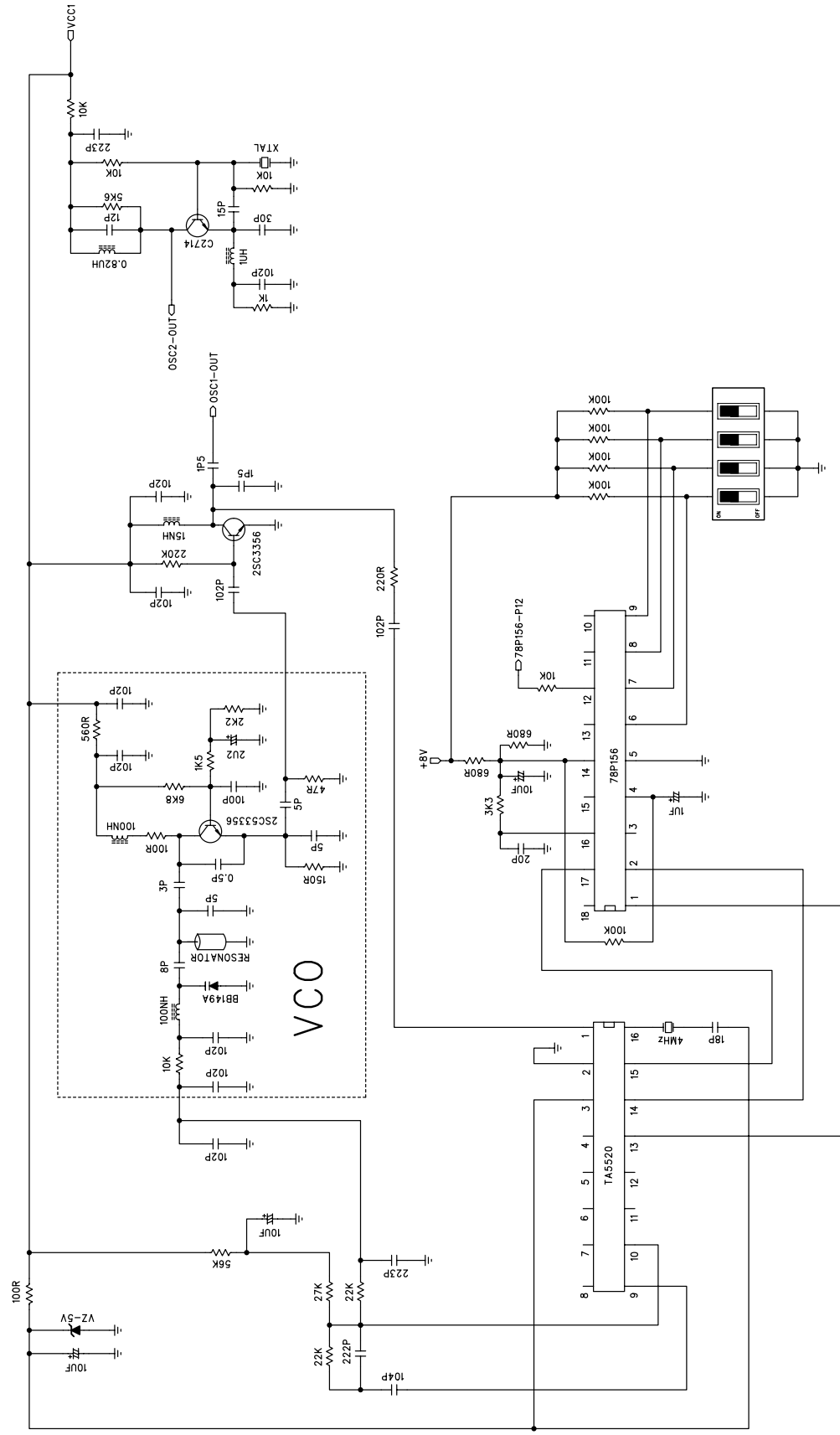
SCHMATIC DIAGRAM
 UHF BAND PLL SYSTEM
 WIRELESS RECEIVER
 MODEL: SR-315(A)

MODEL NO	FILES NAME	MATERIAL	PART NO.
	CHECK	APPROVE	DATE
			SEP 12 2002
			VER: A



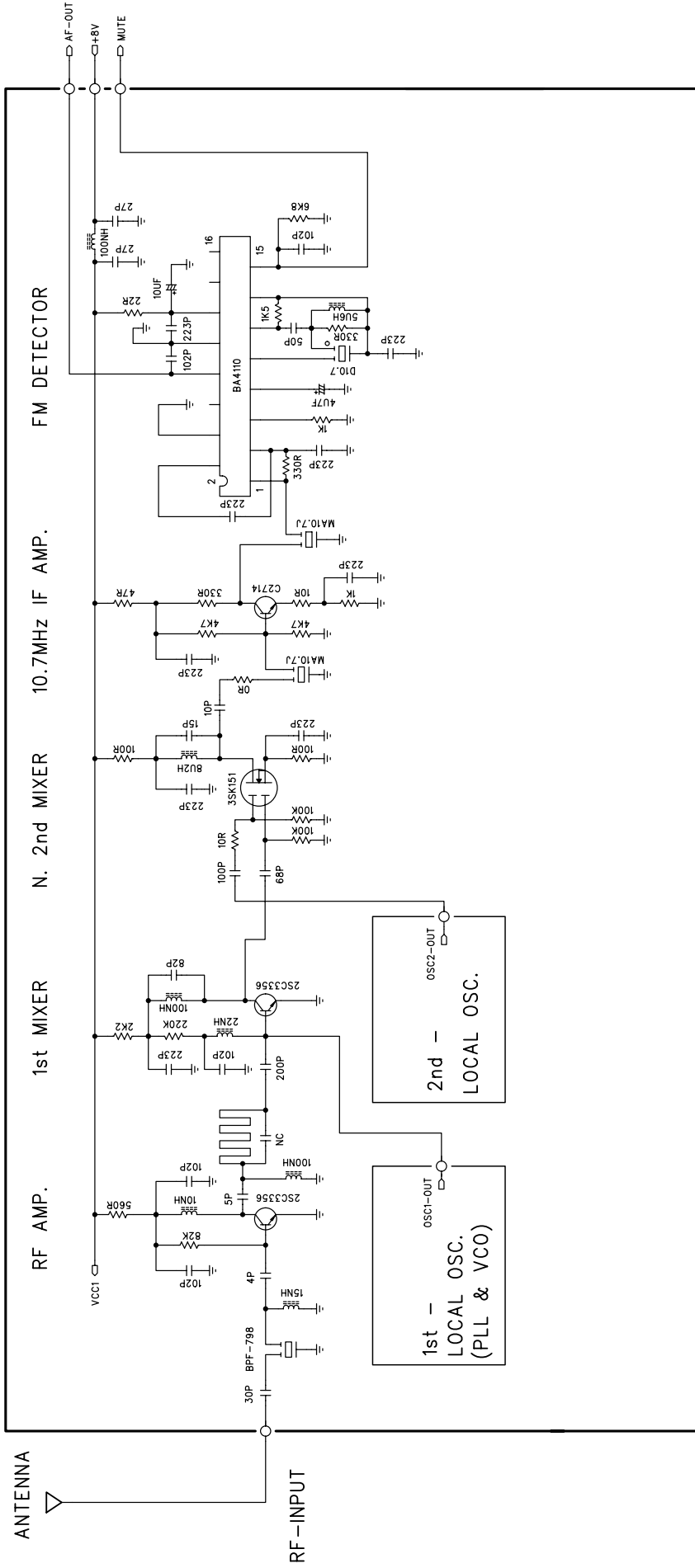
SCHMATIC DIAGRAM
 UHF BAND PLL SYSTEM
 WIRELESS RECEIVER
 MODEL: SR-315 AUDIO(B)

MODEL NO	FILES NAME	MATERIAL	PART NO.	VER:
DRAW BY	CHECK			SEP 12 2002



SCHEMATIC DIAGRAM
 UHF BAND PLL SYSTEM
 WIRELESS RECEIVER
 MODEL: SR-315 VCO&OSC

MODEL NO	FILES NAME	MATERIAL	PART NO.	VER:
	CHECK			SEP 12 2002



SCHMATIC DIAGRAM
 UHF BAND PLL SYSTEM
 WIRELESS RECEIVER
 MODEL: SR-315 TUNNER

MODEL NO	FILES NAME	MATERIAL	PART NO.	DATE	VER:
				SEP 12 2002	A
DRAW BY	CHECK	APPROVE			