



CERAMIC TRIMMER CAPACITOR 07RA SERIES

These rotary ceramic trimmer capacitors are designed to have high electrical performances which utilize a high quality ceramic dielectrics and are ideal for PCB dip mounting.

□ Features

1. Linear capacitance change
2. Variety capacitance ranges upto 120 PF
3. Linear capacitance Vs temperature changes and complete resetting
4. Excellent moisture-proof characteristic yields very small influence on Q and insulation resistance

□ Applications

- Video Equipment
- Acoustic Equipment
- Monitor and Computer
- Quartz Clock and Mini Radio
- Measuring and Communication Equipment

□ Characteristics

- ◆ Working Voltage : 250 VDC
- ◆ Withstand Voltage : 500 VDC
- ◆ Insulation Resistance : 10^4 M Ω min.at250VDC
- ◆ Turning Torque : 60 to 400 gf-cm
- ◆ Operating Temperature : -30°C to + 85°C

□ Parts Numbering

VC07 R A 10
1 2 3 4

1. Ceramic trimmer capacitor VC07 Series
2. R : Resin stator
3. Terminal type , A:Normal Type B: W/Knob Type
4. Nominal Capacitance Value

□ Ratings

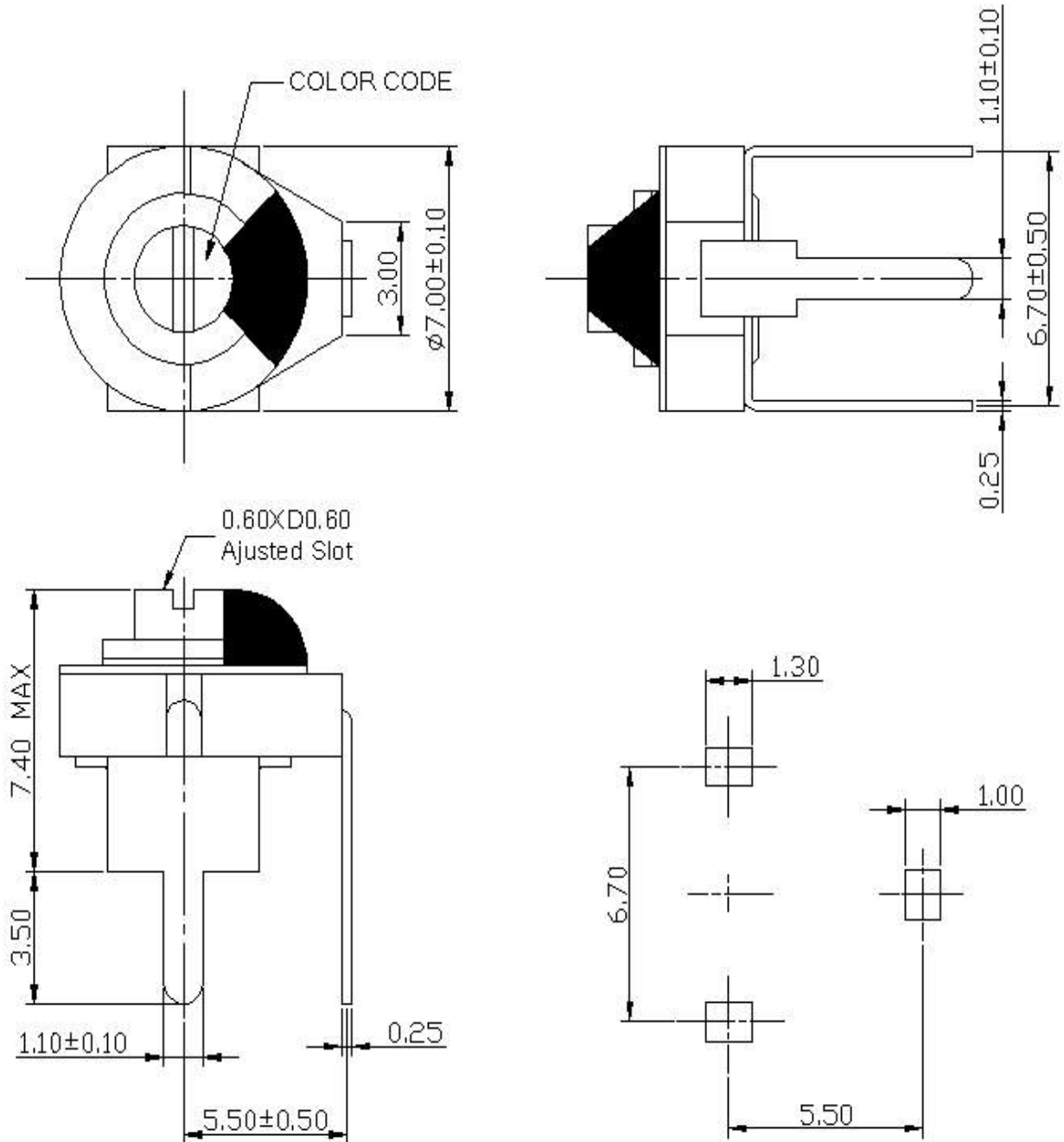
PARTS NO.	Capacitance (pF)		Temp. Coefficient (ppm/°C)	Q Factor (At@1MHz,Cmax.)	Color Code
	Min.(Less Than)	Max.(More Than)			
VC07R(A.B)060	1.5	6.0	NPO \pm 200	300 min	RED
VC07R(A.B)100	2.0	10.0	NPO \pm 200	300 min	NIL
VC07R(A.B)200	2.5	20.0	N350 \pm 200	300 min	BLUE
VC07R(A.B)300	4.0	30.0	N750 \pm 200	300 min	YELLOW
VC07R(A.B)400	4.5	40.0	N1000 \pm 200	300 min	BROWN
VC07R(A.B)500	5.0	50.0	N1200 \pm 300	300 min	GREEN
VC07R(A.B)700	7.0	70.0	N2000 \pm 300	200 min	BLACK
VC07R(A.B)101	8.5	100.0	N2000 \pm 300	200 min	PURPLE
VC07R(A.B)121	12.0	120.0	N2200 \pm 500	200 min	PURPLE

□ Packing method

200 pcs/bag ; 2,000 pcs/inner

□ Shape and Dimensions

VC07RA



SUGGESTED MOUNTING HOLES



CERAMIC TRIMMER CAPACITOR 07B SERIES

These rotary ceramic trimmer capacitors are designed to have high electrical performances which utilize a high quality ceramic dielectrics and are ideal for PCB dip mounting.

□ Features

1. Linear capacitance change
2. Variety capacitance ranges upto 150 PF
3. Linear capacitance Vs temperature changes and complete resetting
4. Excellent moisture-proof characteristic yields very small influence on Q and insulation resistance

□ Applications

- Video Equipment
- Acoustic Equipment
- Monitor and Computer
- Quartz Clock and Mini Radio
- Measuring and Communication Equipment

□ Characteristics

- ◆ Working Voltage : 250 VDC
- ◆ Withstand Voltage : 550 VDC
- ◆ Insulation Resistance : $10^4 \text{ M}\Omega \text{ min. at } 250\text{VDC}$
- ◆ Turning Torque : 60 to 400 gf-cm
- ◆ Operating Temperature : -55°C to $+85^\circ\text{C}$

□ Parts Numbering

VC07 B 10

1 1 2 3 4

1. Ceramic trimmer capacitor VC07 Series
2. NIL: Ceramic stator
3. Terminal type , B:
4. Nominal Capacitance Value

□ Ratings

PARTS NO.	Capacitance (pF)		Temp. Coefficient (ppm/°C)	Q Factor (At@1MHz, Cmax.)	Color Code
	Min.(Less Than)	Max.(More Than)			
VC07B060	1.5	6.0	NPO ± 200	300 min	RED
VC07B100	2.0	10.0	NPO ± 200	300 min	NIL
VC07B200	2.5	20.0	N350 ± 200	300 min	BLUE
VC07B300	4.0	30.0	N750 ± 200	300 min	YELLOW
VC07B400	4.5	40.0	N1000 ± 200	300 min	BROWN
VC07B500	5.0	50.0	N1200 ± 300	300 min	GREEN
VC07B700	7.0	70.0	N2000 ± 300	200 min	BLACK
VC07B101	8.5	100.0	N2000 ± 300	200 min	PURPLE
VC07B121	12.0	120.0	N2200 ± 500	200 min	PURPLE
VC07B151	18.0	150.0	N2200 ± 500	200 min	PURPLE

□ Packing method

200 pcs/bag ; 2000 pcs/ inner box

□ Shape and Dimensions

