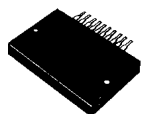




No.964



STK8280

Thick Film Hybrid Integrated Circuit
 80W MIN AF POWER AMP. OUTPUT STAGE (DUAL SUPPLIES)
 WITH BUILT-IN QUASI CLASS A BIAS CIRCUIT

Features

1. Switching distortion peculiar to class B amp. is zero.
2. Since power stage, bias controller, and temperature compensator are incorporated on the IMST substrate having good thermal conduction, no complicated temperature compensation using thermistor, etc. is required, thereby enabling good thermal stability.
3. By setting bias current externally, optimum conditions can be set.

Maximum Ratings at Ta=25°C

Parameter	Symbol	Value	unit
Maximum Supply Voltage	V_{CCmax}	± 65	V
Thermal Resistance	θ_{j-c}	1.4	°C/W
Collector Current	I_C	7	A
Junction Temperature	T_j	150	°C
Storage Temperature	T_{stg}	-30 to +105	°C
Available Time for Load Shorted	t_s	2	sec

$V_{CC} = \pm 47V^*, f = 50Hz, P_o = 80W, R_L = 8ohm$

Recommended Operating Conditions at Ta=25°C

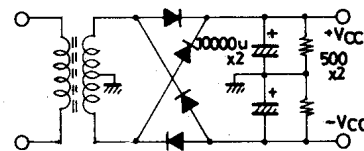
Parameter	Value	unit
Recommended Supply Voltage	± 47	V
Load Resistance	8	ohm

Operating Characteristics at Ta=25°C, $V_{CC} = \pm 47V, R_L = 8ohm, R_g = 600ohm, V_G = 26.5dB$, at specified test circuit (based on Sample Application Circuit)

Parameter	Symbol	Condition	min	typ	max	unit
Quiescent Current	I_{cco}	$V_{CC} = \pm 55V^{**}$			80	mA
Output Power	P_o	THD=0.01%, f=20Hz to 20kHz	80			W
Total Harmonic Distortion	THD	$P_o = 1.0$ to 80W, f=20Hz to 20kHz		0.01		%

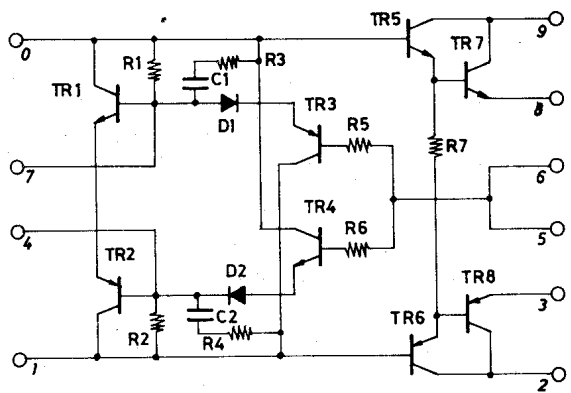
*:For measuring available time for load shorted, use the specified transformer power supply shown right.

** :Maximize VR1(30k Ω) of Application Circuit.

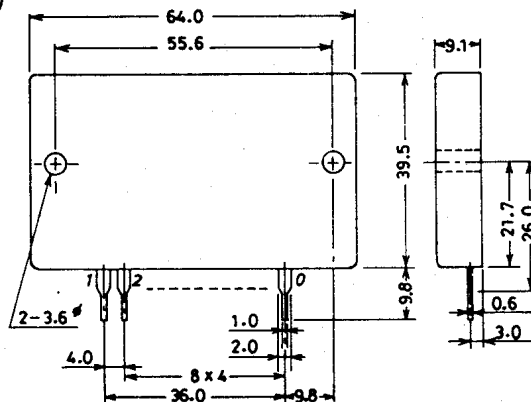


Specified Transformer Power Supply (Equivalent to Tango MG-200)

Equivalent circuit



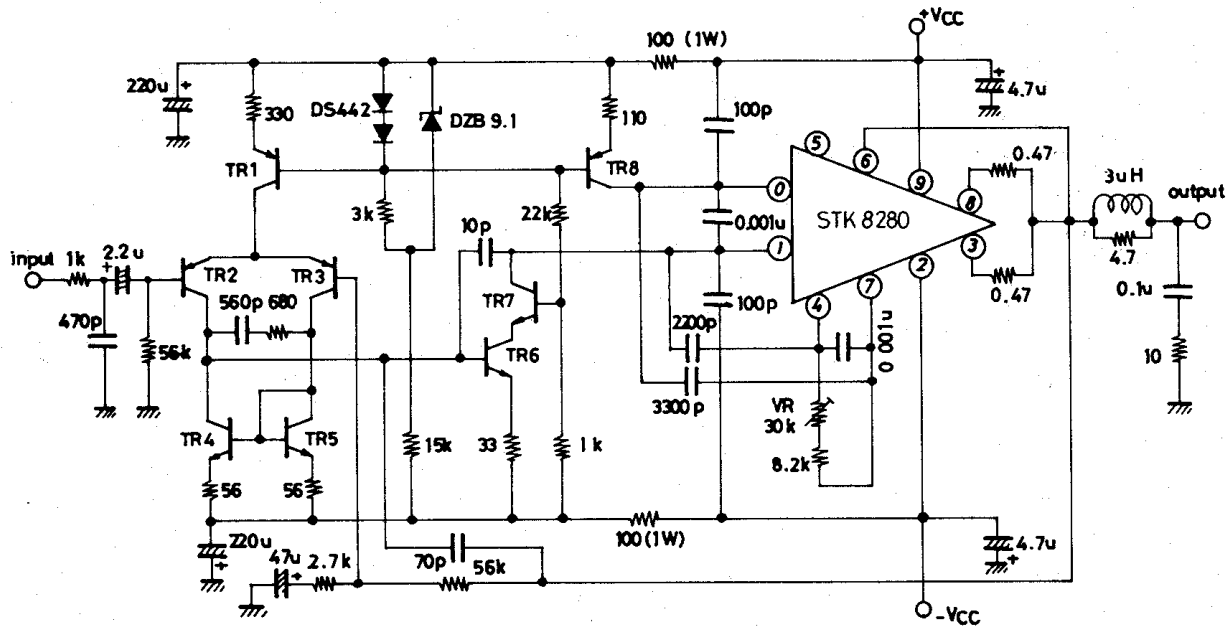
Case Outline 4006 (unit:mm)



These specifications are subject to change without notice.

STK8280

Sample Application Circuit : 80W min AF Power Amp.



Information furnished by SANYO is believed to be accurate and reliable. However, no responsibility is assumed by SANYO for its use; nor for any infringements of patents or other rights of third parties which may result from its use, and no license is granted by implication or otherwise under any patent or patent rights of SANYO.