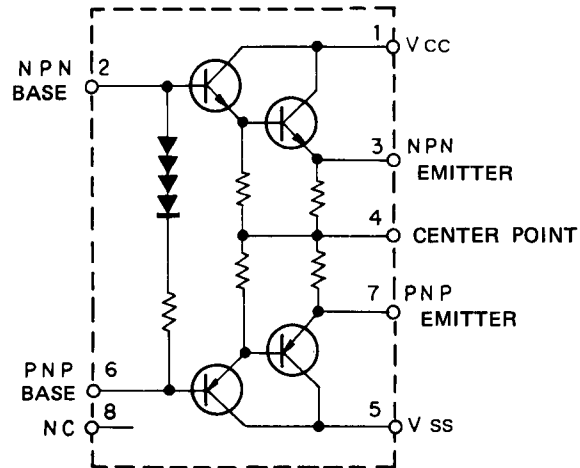


APPLICATION	POWER DARLINGTON PACK	NAME	SP-40W
MODEL	SA-7300	TYPE	SILICON MONOLITHIC

**EQUIVALENT CIRCUIT**



**PIN FUNCTION**

Pin No.	Pin Name
1	Vcc
2	NPN BASE
3	NPN EMITTER
4	CENTER POINT
5	Vss
6	PNP BASE
7	PNP EMITTER
8	NC