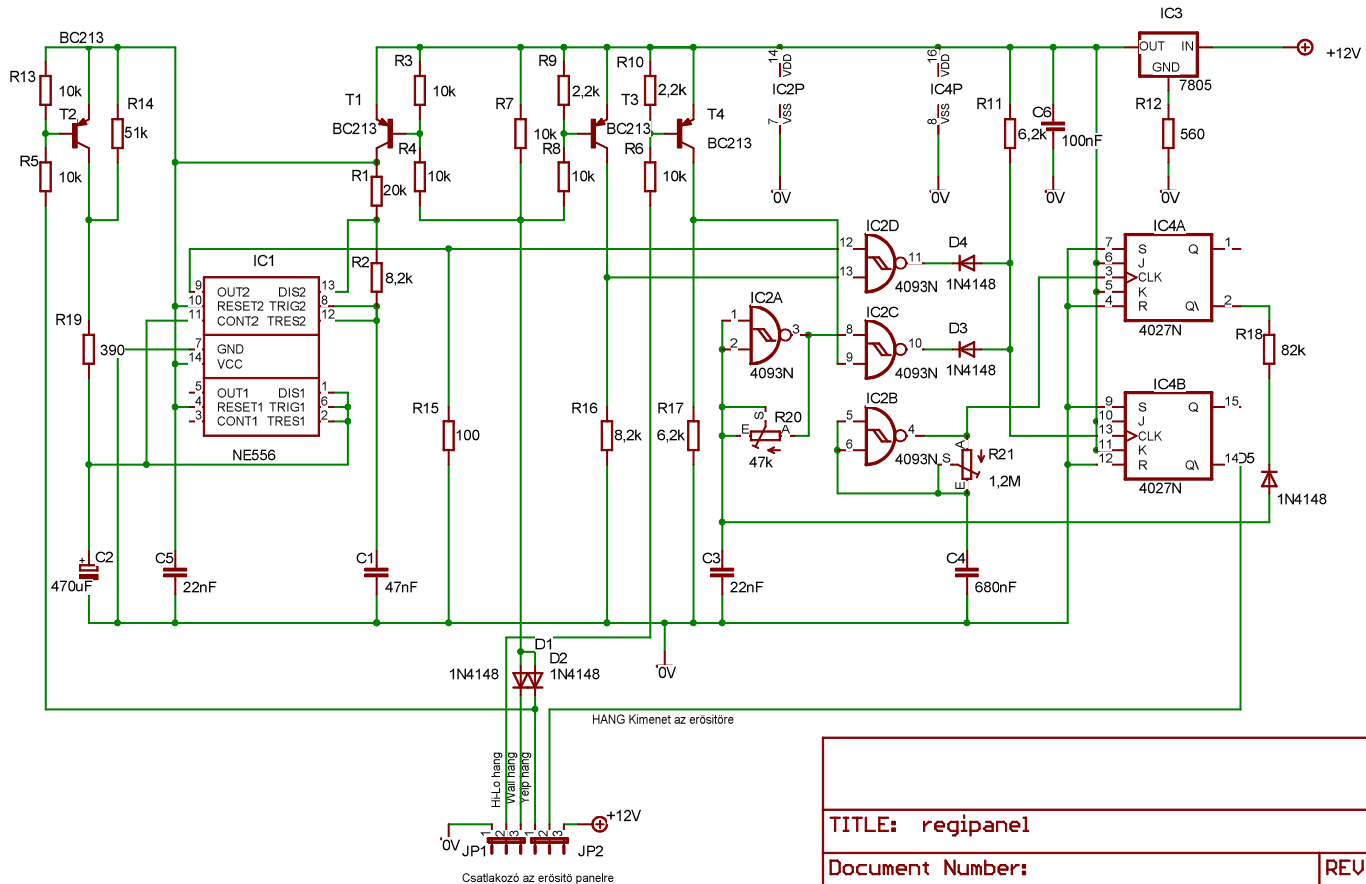


ERISTON 150 SZIRÉNAPANEL



TITLE: regipanel	
Document Number:	REV:
Date: 2007.12.25 04:58:31	Sheet: 1/1