

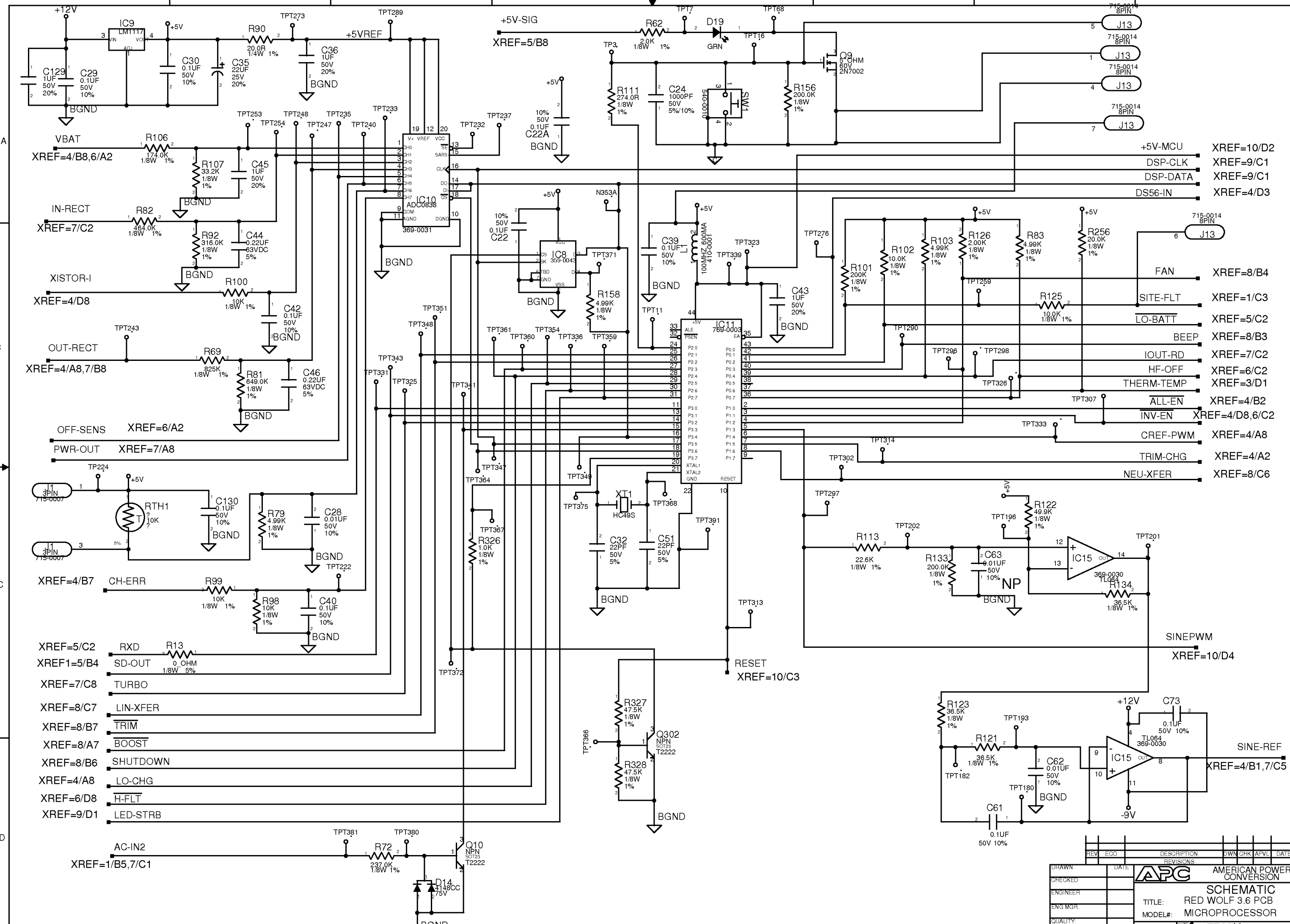
**NOTE 1.**  
 The BOM controls component values, quantities and reference designators for assemblies built from this circuit schematic.  
 NOTE: ALL VALUES ARE FOR REFERENCE ONLY. SEE BOM FOR ACTUAL VALUES AND POPULATIONS.

REV	ECO	DESCRIPTION	OWN	CHK	APVL	DATE

DRAWN	DATE	 <b>AMERICAN POWER CONVERSION</b> <b>SCHEMATIC</b> <b>RED WOLF 3.6 PCB POWER</b> MODEL#: <b>7732H</b> SCALE: NONE    FILENAME:    SHEET 1 OF 10
CHECKED		
ENGINEER		
ENGR MGR		
QUALITY		
PRODUCTION		REV <b>9</b>

NOTICE OF PROPRIETARY PROPERTY: THIS DOCUMENT AND THE INFORMATION CONTAINED HEREIN ARE THE PROPRIETARY PROPERTY OF AMERICAN POWER CONVERSION COMPANY. IT IS LOANED TO YOU FOR YOUR USE ONLY. IT IS NOT TO BE REPRODUCED OR TRANSMITTED IN ANY FORM OR BY ANY MEANS, ELECTRONIC OR MECHANICAL, INCLUDING PHOTOCOPYING, RECORDING, OR BY ANY INFORMATION STORAGE AND RETRIEVAL SYSTEM, WITHOUT THE EXPRESS WRITTEN CONSENT OF AMERICAN POWER CONVERSION COMPANY.

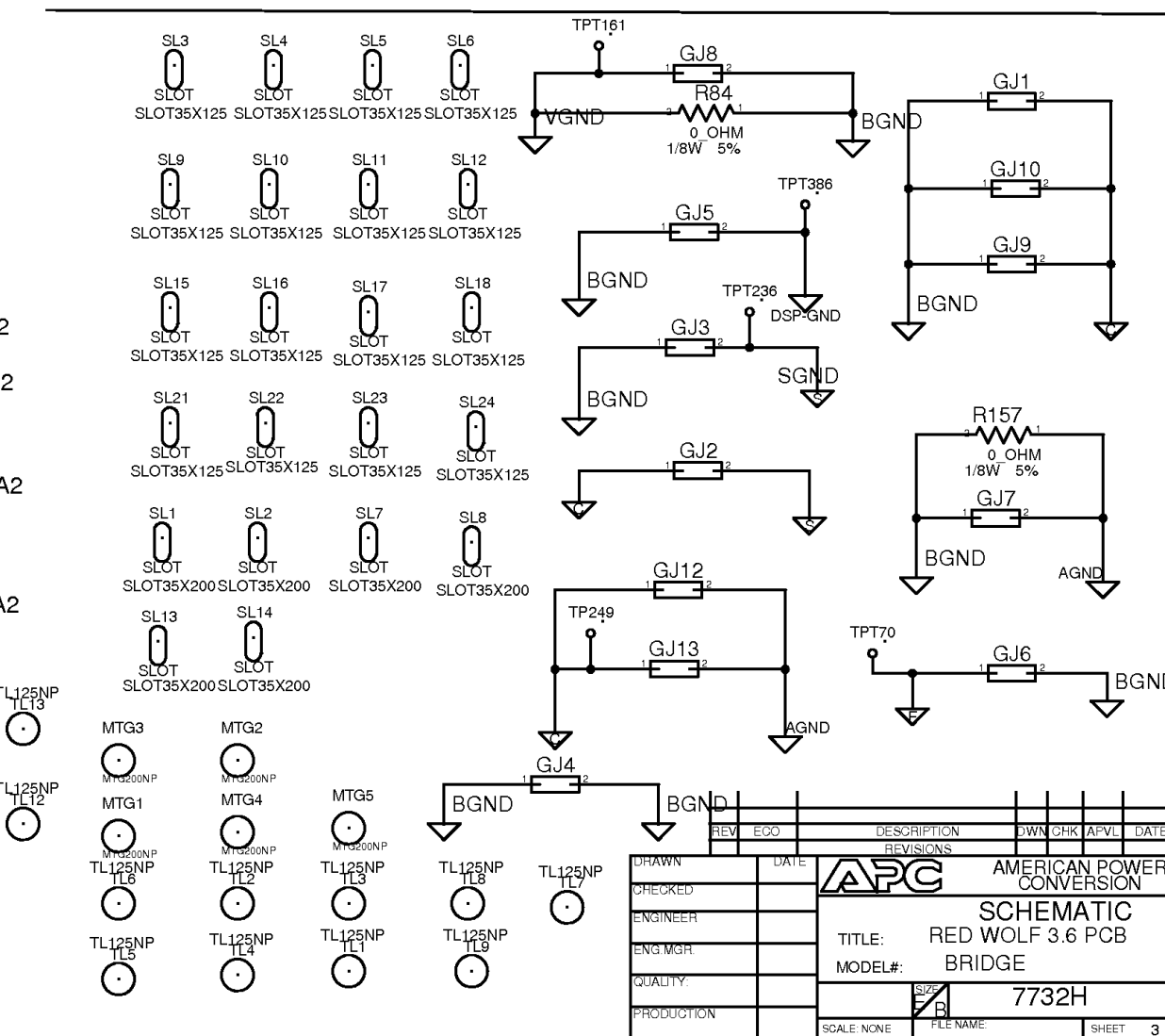
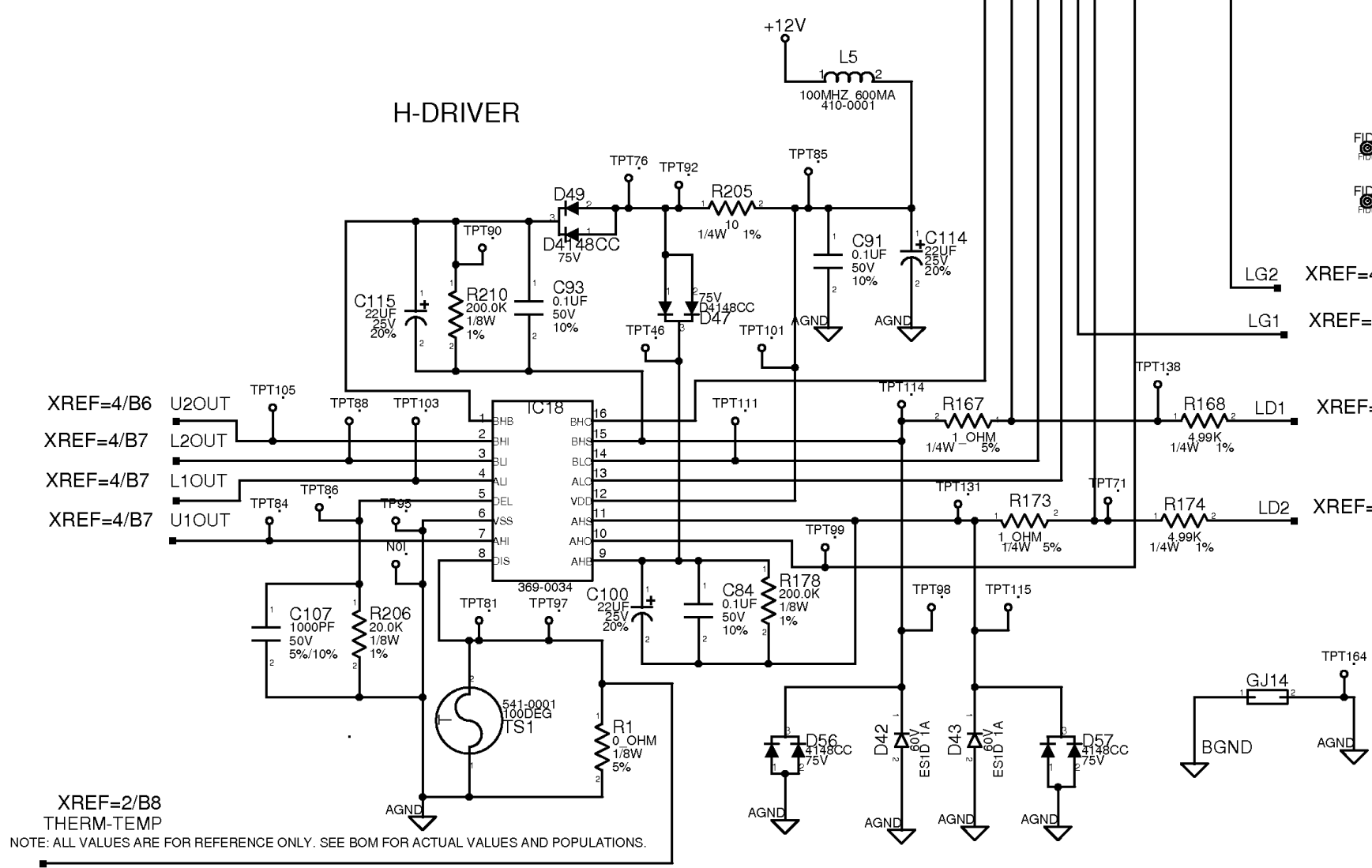
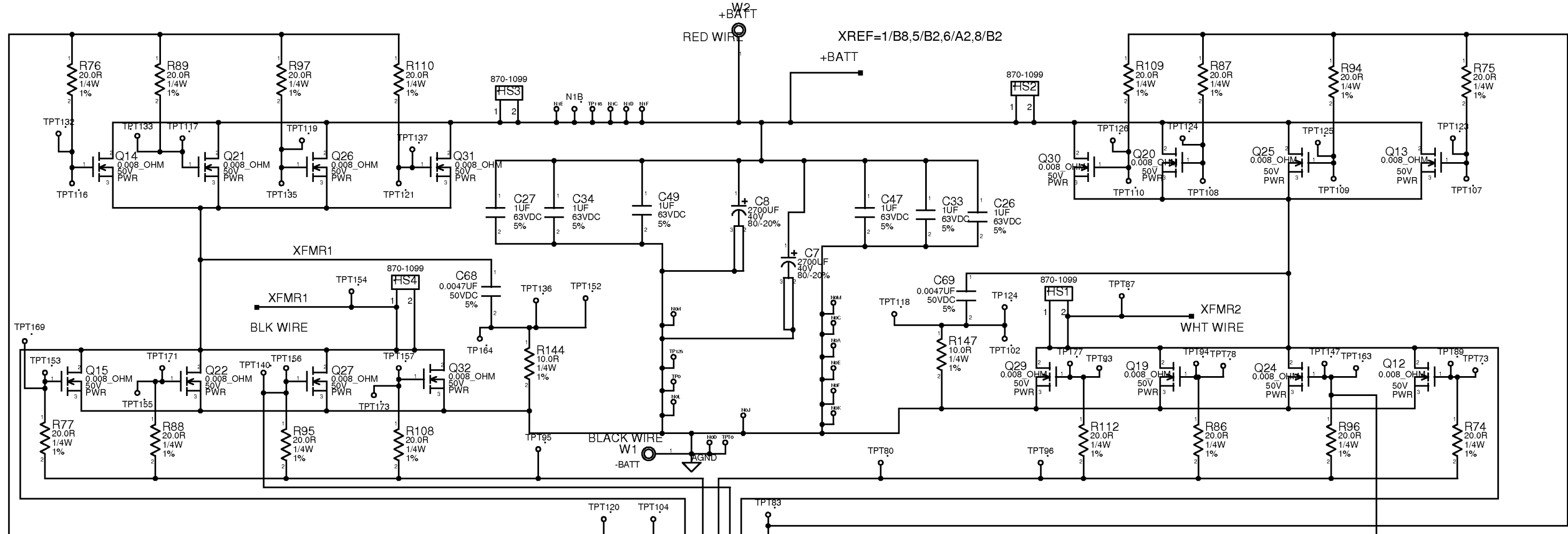


NOTE: ALL VALUES ARE FOR REFERENCE ONLY. SEE BOM FOR ACTUAL VALUES AND POPULATIONS.

REV	ECO	DESCRIPTION	REV	CHK	APVL	DATE

DRAWN	DATE	 <b>AMERICAN POWER CONVERSION</b> <b>SCHEMATIC</b> TITLE: RED WOLF 3.6 PCB MODEL#: MICROPROCESSOR 7732H SCALE: NONE FILE NAME: SHEET 2 OF 10
CHECKED		
ENGINEER		
ENGR MGR		
PRODUCTION		

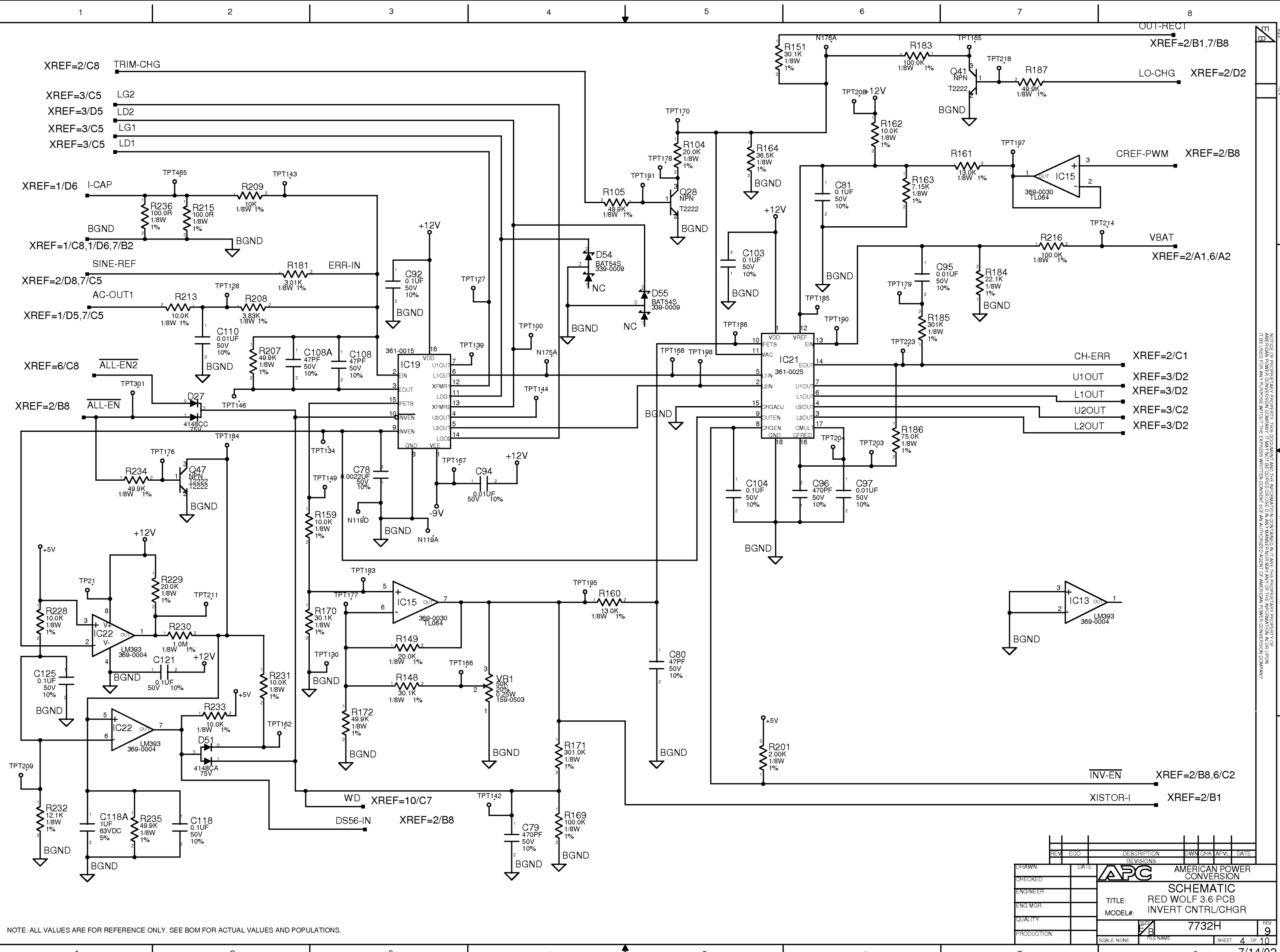


REV	ECO	DESCRIPTION	DWN	CHK	APVL	DATE

DRAWN	DATE	AMERICAN POWER CONVERSION	
CHECKED		SCHEMATIC	
ENGINEER		RED WOLF 3.6 PCB	
ENG MGR		BRIDGE	
QUALITY		MODEL#	7732H
PRODUCTION		SCALE	NONE
		FILE NAME	
		SHEET	3 OF 10

NOTICE OF PROPRIETARY PROPERTY: THIS DOCUMENT AND THE INFORMATION CONTAINED HEREIN ARE THE PROPRIETARY PROPERTY OF AMERICAN POWER CONVERSION COMPANY. IT IS NOT TO BE REPRODUCED OR USED IN ANY MANNER WITHOUT THE WRITTEN PERMISSION OF AMERICAN POWER CONVERSION COMPANY.



NOTICE OF PROPRIETARY PROPERTY: THIS DOCUMENT AND THE INFORMATION CONTAINED HEREIN ARE THE PROPRIETARY PROPERTY OF AMERICAN POWER CONVERSION. IT IS TO BE USED FOR ANY PURPOSE WITHOUT THE EXPRESS WRITTEN CONSENT OF AN AUTHORIZED AGENT OF AMERICAN POWER CONVERSION COMPANY.

REV	ECO	DESCRIPTION	DWN	CHK	APWL	DATE

DRAWN	DATE	<b>AMERICAN POWER CONVERSION</b> <b>SCHEMATIC</b> <b>RED WOLF 3.6 PCB</b> <b>INVERT CNTRL/CHGR</b>	
CHECKED			
ENGINEER			
ENG MGR			
QUALITY			
PRODUCTION			

SCALE: NONE	FILENAME: 7732H	SHEET 4 OF 10
-------------	-----------------	---------------

NOTE: ALL VALUES ARE FOR REFERENCE ONLY. SEE BOM FOR ACTUAL VALUES AND POPULATIONS.

PIN	J2A	14PIN	SIGNAL NAME
1			+12V
2			SGND
3			+24V-OUT
4			SGND
5			+5V
6			SDI-AS1
7			SDI-ACC1
8			SDI-ACC2
9			SDI-ACC3
10			SDI-ACC4
11			DIVERT
12			SDI-ACC1
13			OFF-SW

XREF=5/A1  
XREF=5/A7,6/B2,9/C1  
XREF=5/B8,6/B2,9/D1

+BATT (SHORT to +BATT thru FUSE)  
+BATT  
XREF=1/B8,3/A5,6/A2,8/B2


XREF=2/C2 SD-OUT  
XREF=2/C2 RXD  
XREF=2/B8 LO-BATT

USB SERIAL DATA OUT  
J13 8PIN 715-0014  
USB SERIAL DATA IN  
J13 8PIN 715-0014  
MUX CNTRL  
J13 8PIN 715-0014

NOTE: ALL VALUES ARE FOR REFERENCE ONLY. SEE BOM FOR ACTUAL VALUES AND POPULATIONS.

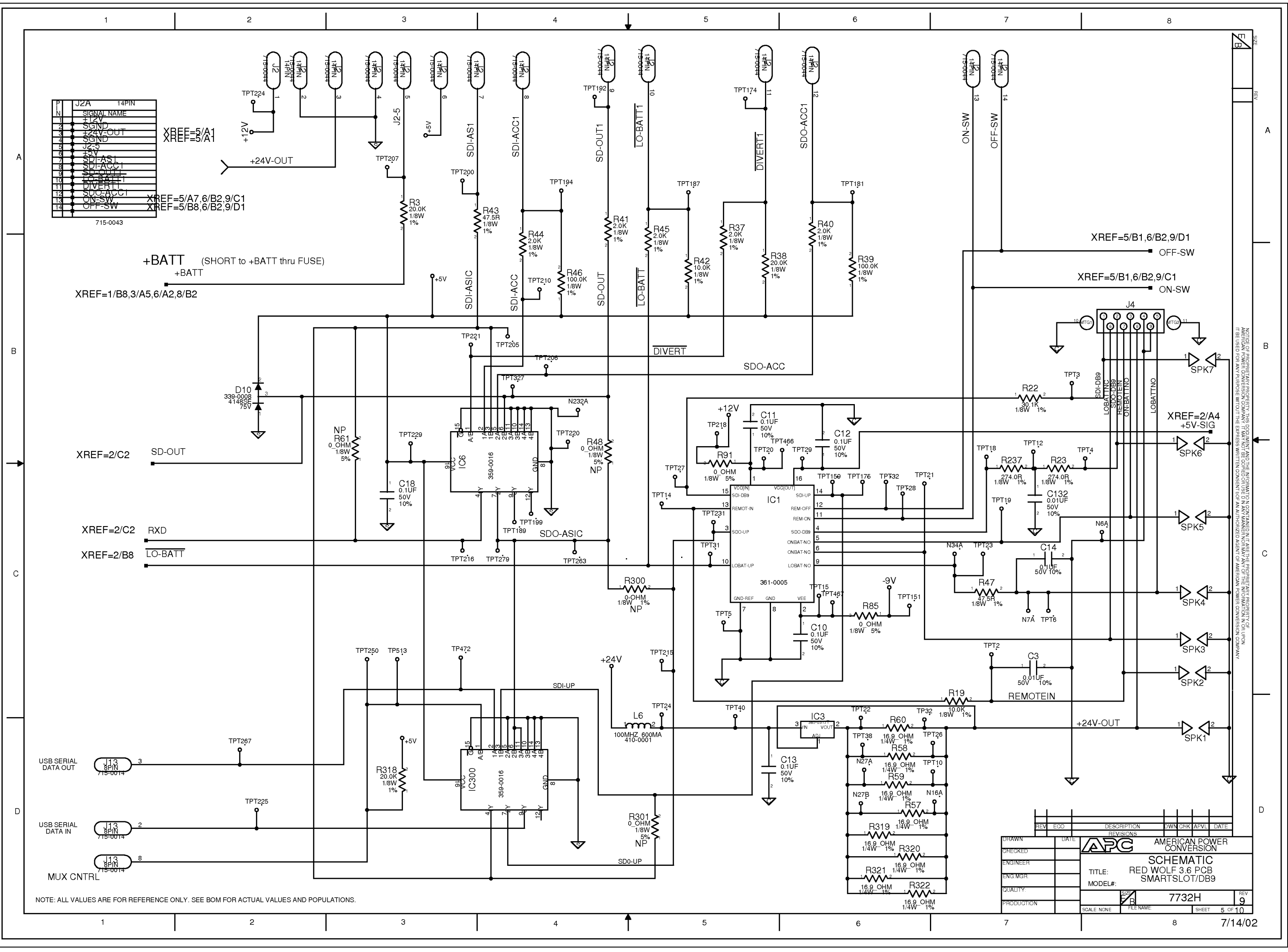
REV	ECO	DESCRIPTION	DWN	CHK	APVL	DATE

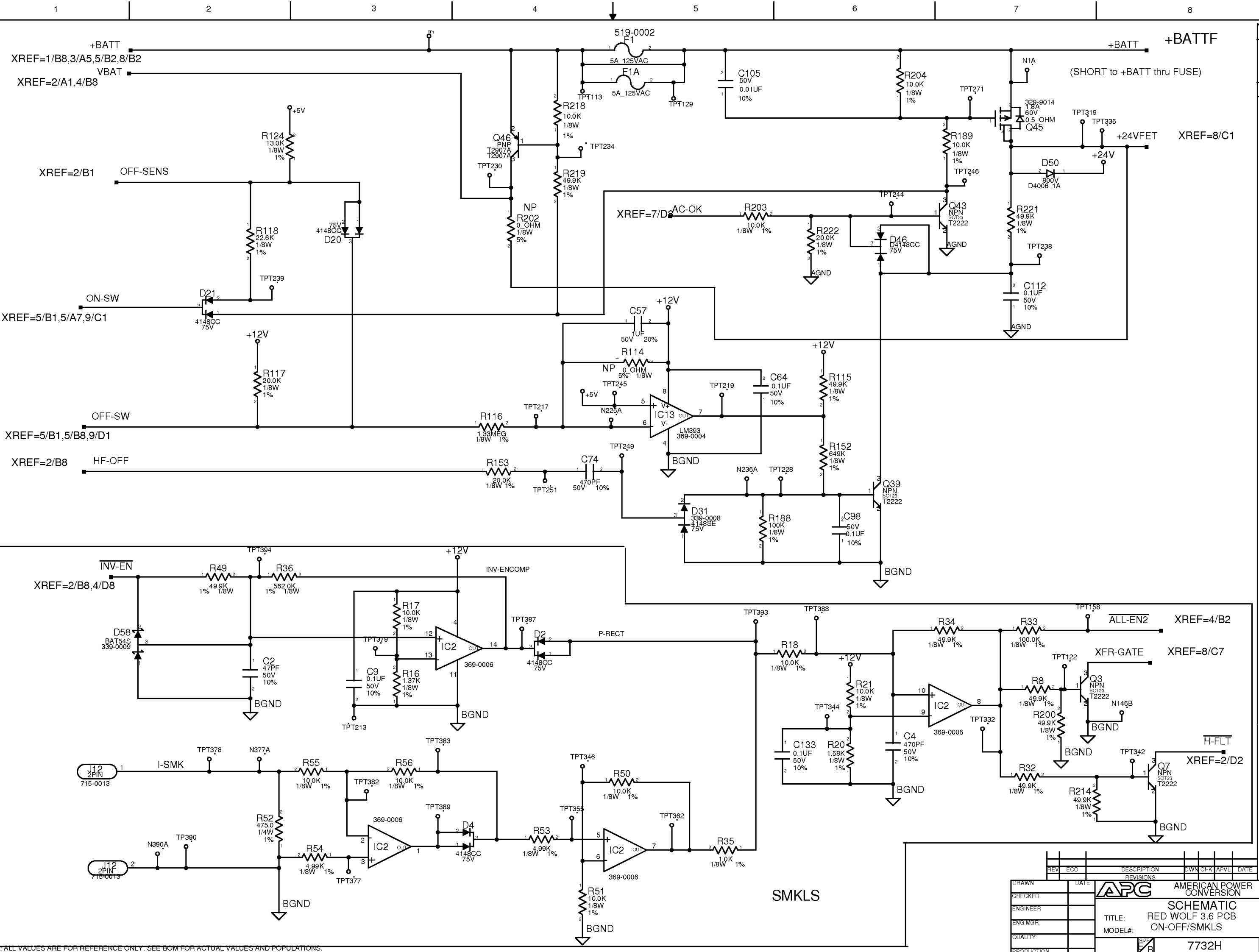
  

DRAWN	DATE	 <b>AMERICAN POWER CONVERSION</b> <b>SCHEMATIC</b> <b>RED WOLF 3.6 PCB</b> <b>SMARTSLOT/DB9</b> MODEL#: 7732H	REV
CHECKED			9
ENGINEER			
ENG MGR			
QUALITY			
PRODUCTION			

SCALE: NONE FILE NAME: SHEET 5 OF 10

NOTICE OF PROPRIETARY PROPERTY: THIS DOCUMENT AND THE INFORMATION CONTAINED HEREIN ARE THE PROPRIETARY PROPERTY OF AMERICAN POWER CONVERSION COMPANY. IT IS NOT TO BE REPRODUCED OR TRANSMITTED IN ANY FORM OR BY ANY MEANS, ELECTRONIC OR MECHANICAL, INCLUDING PHOTOCOPYING, RECORDING, OR BY ANY INFORMATION STORAGE AND RETRIEVAL SYSTEM, WITHOUT THE EXPRESS WRITTEN PERMISSION OF AMERICAN POWER CONVERSION COMPANY.





NOTE: ALL VALUES ARE FOR REFERENCE ONLY. SEE BOM FOR ACTUAL VALUES AND POPULATIONS.

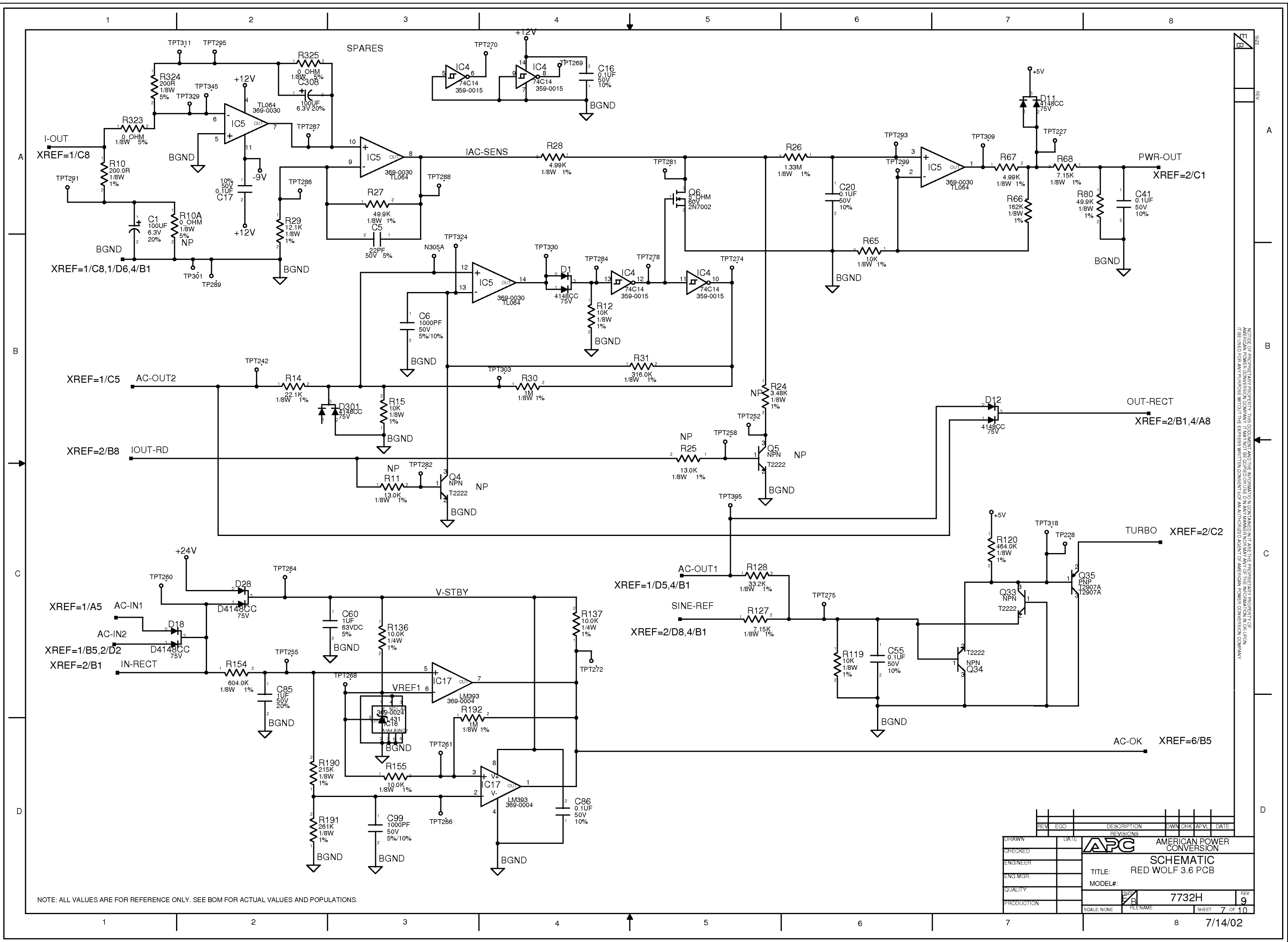
NOTICE OF PROPRIETARY PROPERTY: THIS DOCUMENT AND THE INFORMATION CONTAINED HEREIN ARE THE PROPRIETARY PROPERTY OF AMERICAN POWER CONVERSION COMPANY. IT IS NOT TO BE REPRODUCED OR USED IN ANY MANNER WITHOUT THE WRITTEN PERMISSION OF AMERICAN POWER CONVERSION COMPANY.

REV	ECO	DESCRIPTION	OWN	CHK	APVL	DATE

DRAWN	DATE	<b>APC</b> AMERICAN POWER CONVERSION <b>SCHMATIC</b> TITLE: RED WOLF 3.6 PCB ON-OFF/SMKLS MODEL#: 7732H SCALE: NONE FILE NAME:	REV
CHECKED			9
ENGINEER			
ENGR MGR			
QUALITY			
PRODUCTION			

SMKLS



NOTE: ALL VALUES ARE FOR REFERENCE ONLY. SEE BOM FOR ACTUAL VALUES AND POPULATIONS.

REV	ECO	DESCRIPTION	OWN	CHK	APVL	DATE

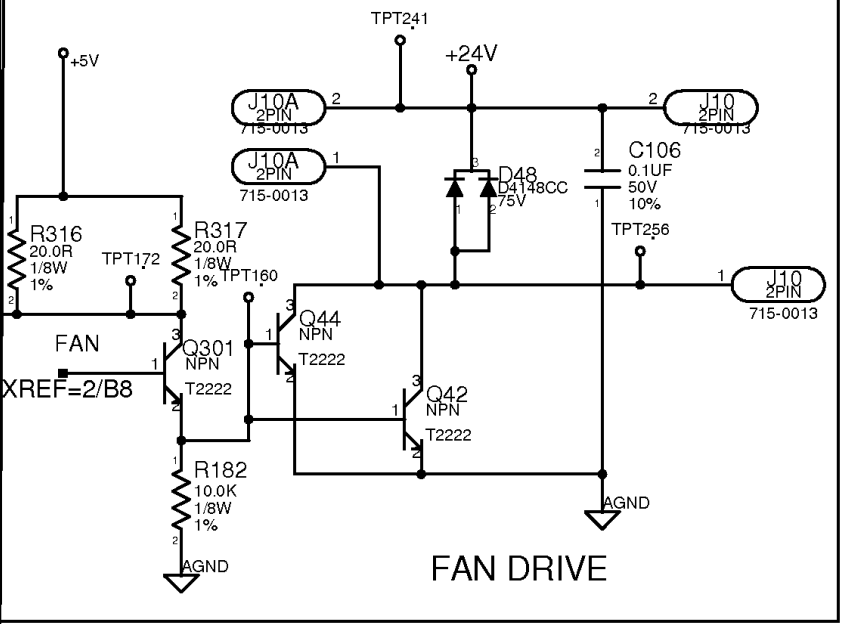
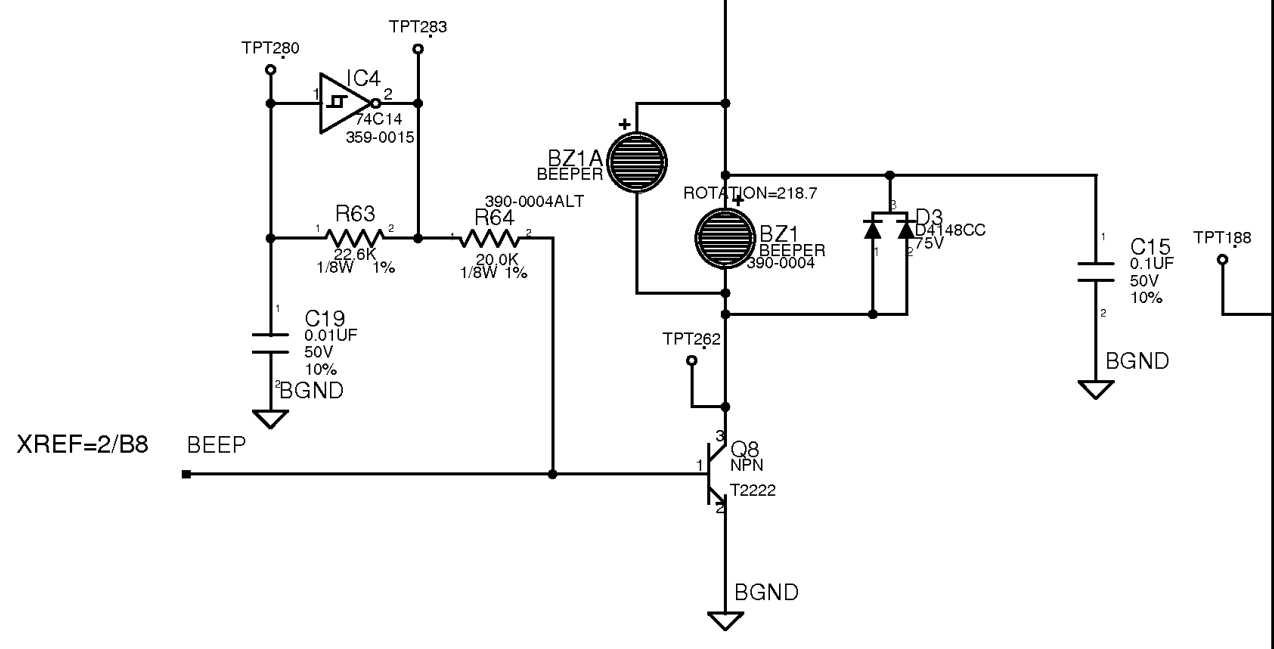
  

DRAWN	DATE	 <b>AMERICAN POWER CONVERSION</b> <b>SCHEMATIC</b> <b>RED WOLF 3.6 PCB</b> MODEL#: <b>7732H</b>	REV
CHECKED			
ENGINEER			
ENG. MGR.			
PRODUCTION			
SCALE: NONE	FILE NAME:	SHEET	7 OF 10

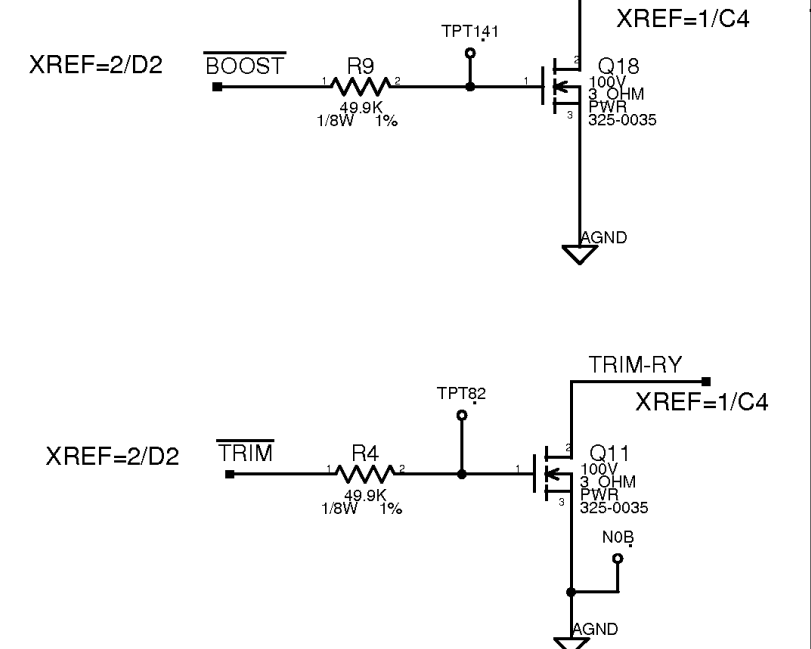
7/14/02

NOTICE OF PROPRIETARY PROPERTY: THIS DOCUMENT AND THE INFORMATION CONTAINED HEREIN ARE THE PROPRIETARY PROPERTY OF APC. IT IS NOT TO BE REPRODUCED OR TRANSMITTED IN ANY FORM OR BY ANY MEANS, ELECTRONIC OR MECHANICAL, INCLUDING PHOTOCOPYING, RECORDING, OR BY ANY INFORMATION STORAGE AND RETRIEVAL SYSTEM, WITHOUT THE EXPRESS WRITTEN CONSENT OF AN AUTHORIZED AGENT OF AMERICAN POWER CONVERSION COMPANY.

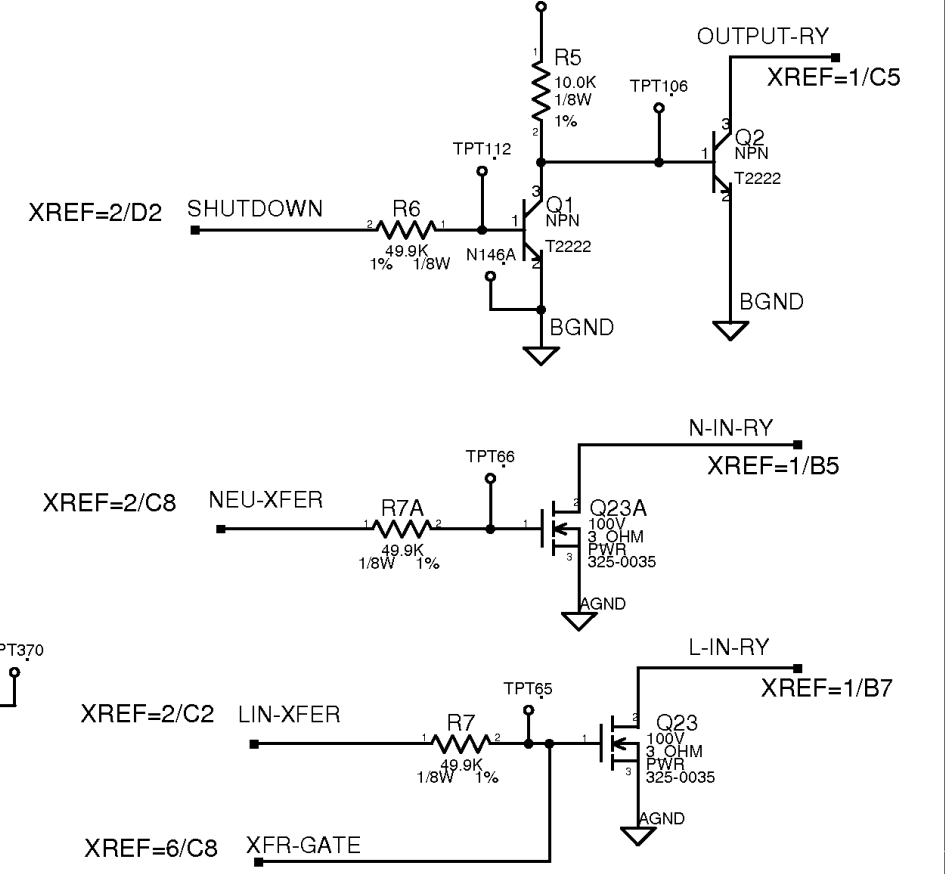
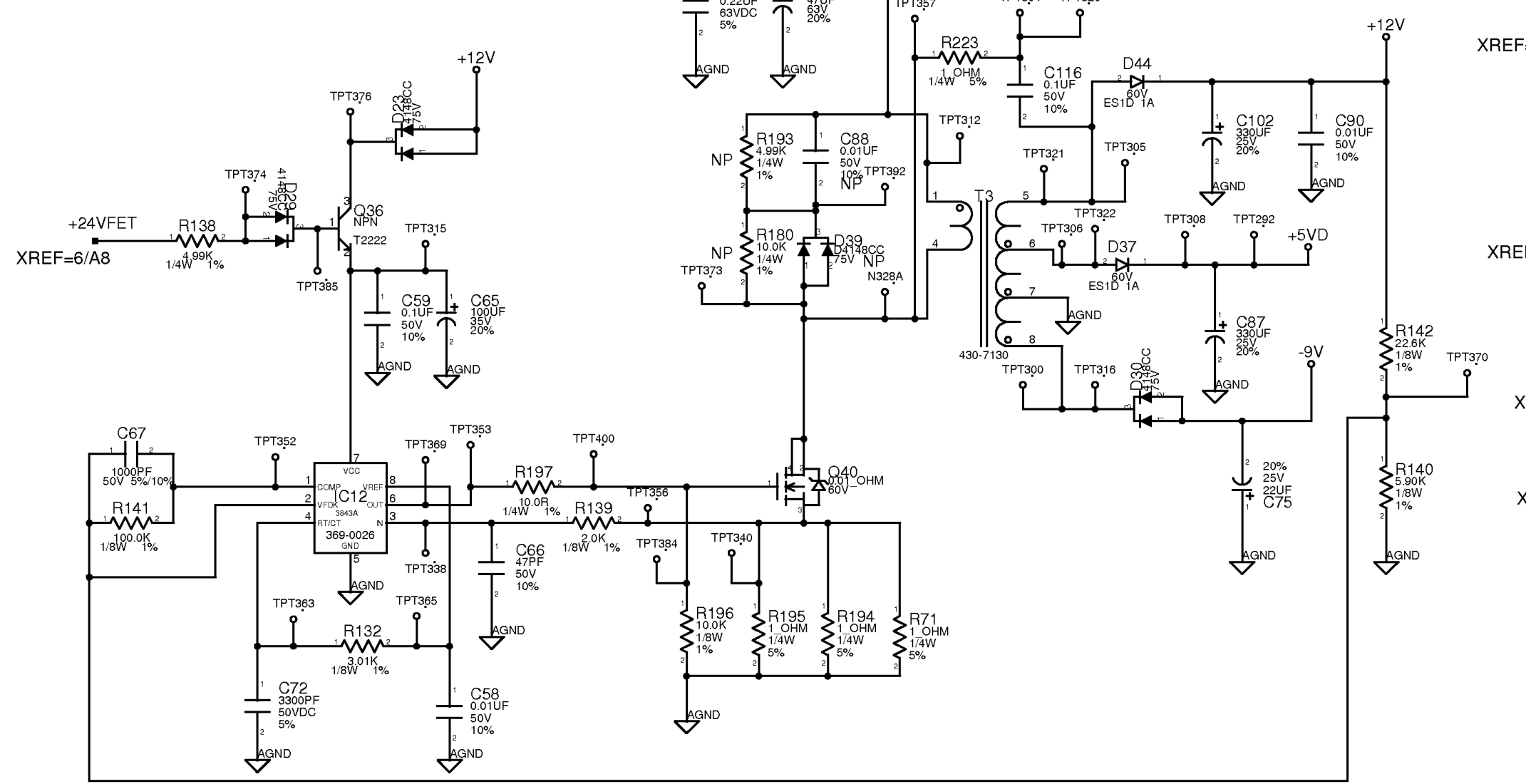
**BEEPER**



**RELAY DRIVE**



(SHORT to +BATT thru FUSE)  
+BATT  
XREF=1/B8,3/A5,5/B2,6/A2



NOTE: ALL VALUES ARE FOR REFERENCE ONLY. SEE BOM FOR ACTUAL VALUES AND POPULATIONS.

REV	ECO	DESCRIPTION	OWN	CHK	APWL	DATE

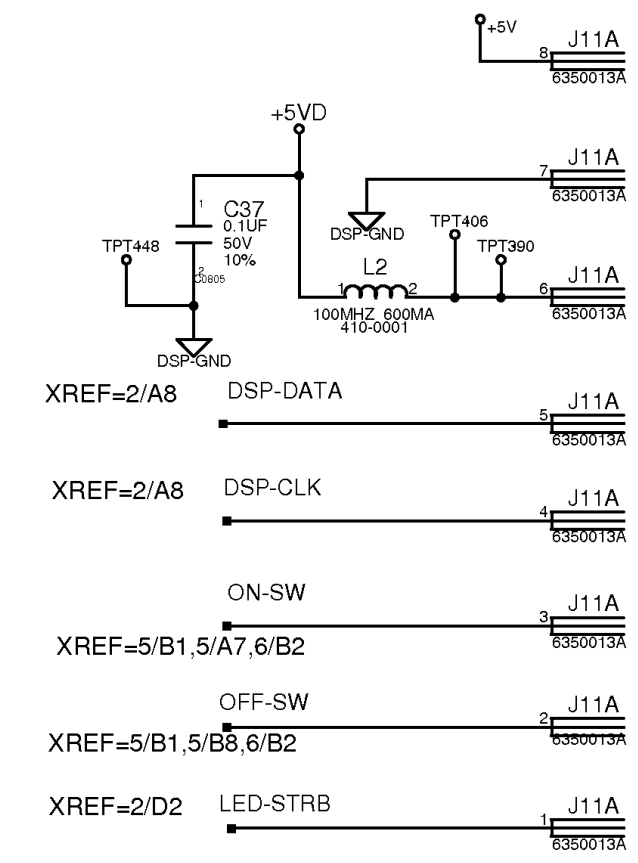
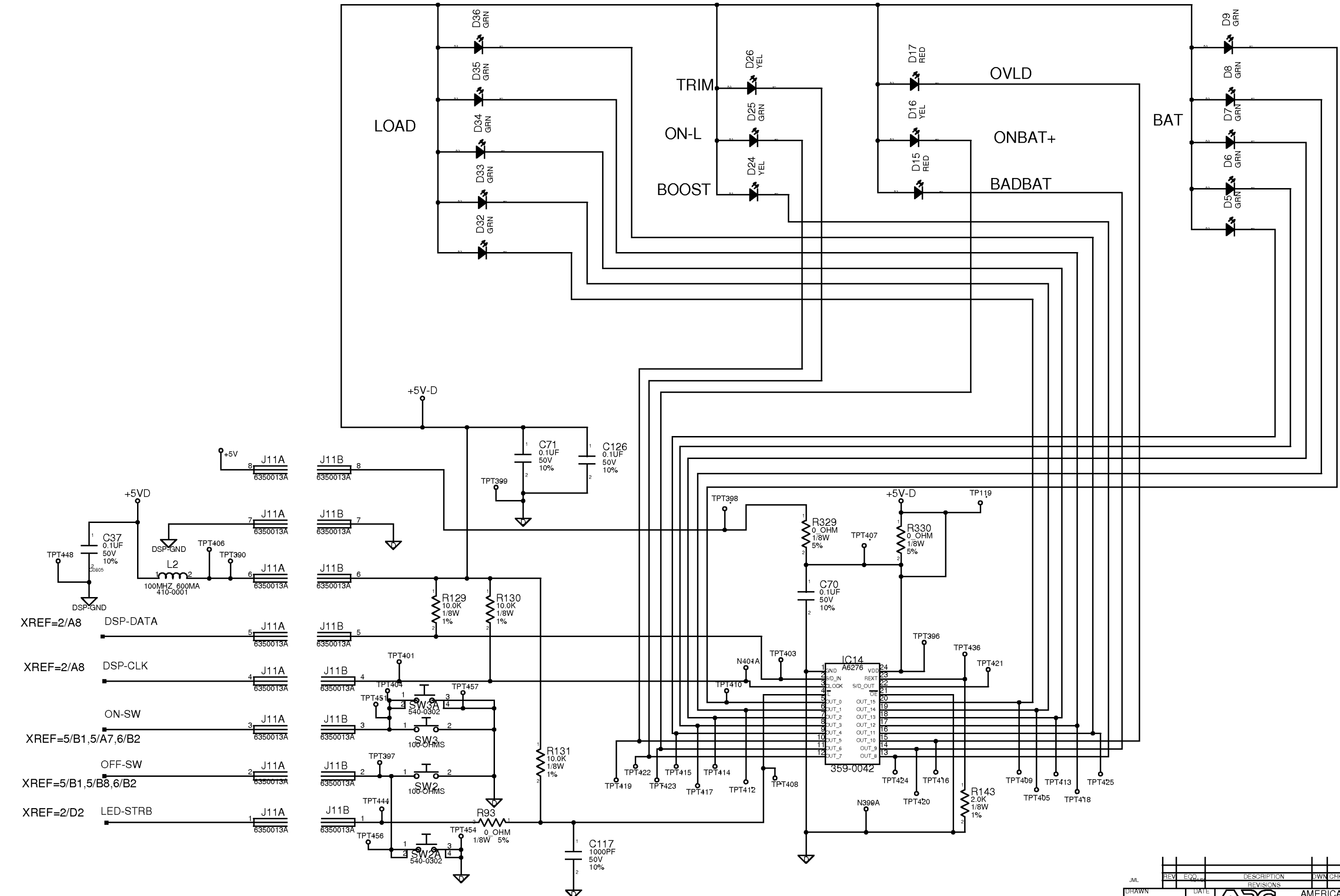
**APC** AMERICAN POWER CONVERSION  
**SCHEMATIC**  
 TITLE: RED WOLF 3.6 PCB  
 MODEL#:   
 DRAWN:   
 CHECKED:   
 ENGINEER:   
 ENGR MGR:   
 QUALITY:   
 PRODUCTION:   
 SCALE: NONE  
 FILE NAME:   
 SHEET 8 OF 10  
 7/14/02



1 2 3 4 5 6 7 8

A  
B  
C  
D

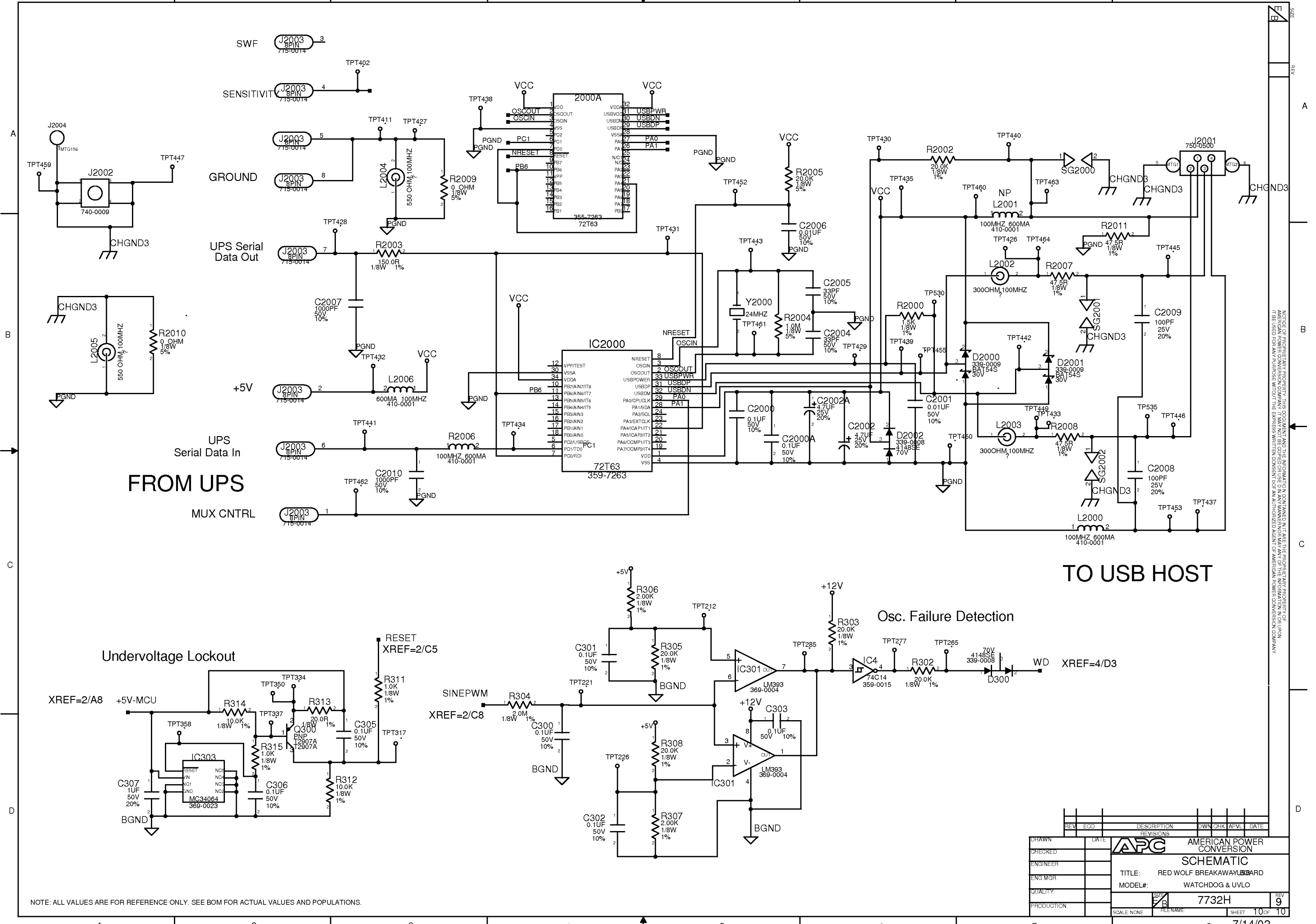
SIZE  
REV  
A  
B  
C  
D



NOTE: ALL VALUES ARE FOR REFERENCE ONLY. SEE BOM FOR ACTUAL VALUES AND POPULATIONS.

JML	REV	EQ...	DESCRIPTION	DWN	CHK	APVL	DATE
			REVISIONS				
DRAWN			AMERICAN POWER CONVERSION				
CHECKED			SCHEMATIC				
ENGINEER			TITLE: RED WOLF 3.6 PCB				
ENG MGR			MODEL#: 16 Bit LED Display				
QUALITY			SIZE: 7732H				
PRODUCTION			REV: 9				
SCALE: NONE			FILENAME		SHEET 9 OF 10		

1 2 3 4 5 6 7 8



FROM UPS  
MUX CNTRL

TO USB HOST

Undervoltage Lockout

Osc. Failure Detection

NOTE: ALL VALUES ARE FOR REFERENCE ONLY. SEE BOM FOR ACTUAL VALUES AND POPULATIONS.

REV	ECO	DESCRIPTION	DWN	CHK	AP-WL	DATE

DRAWN	DATE	 <b>AMERICAN POWER CONVERSION</b> <b>SCHEMATIC</b> TITLE: RED WOLF BREAKAWAY BOARD MODEL#: WATCHDOG & UVLO 7732H SCALE: NONE FILE NAME:	REV
CHECKED			9
ENGINEER			
ENG MGR			
QUALITY			
PRODUCTION			

SCALE: NONE    SHEET 10 OF 10

NOTICE OF PROPRIETARY PROPERTY: THIS DOCUMENT AND THE INFORMATION CONTAINED IN IT ARE THE PROPRIETARY PROPERTY OF AMERICAN POWER CONVERSION. IT IS TO BE USED FOR ANY PURPOSE WITHOUT THE EXPRESS WRITTEN CONSENT OF AN AUTHORIZED AGENT OF AMERICAN POWER CONVERSION COMPANY.