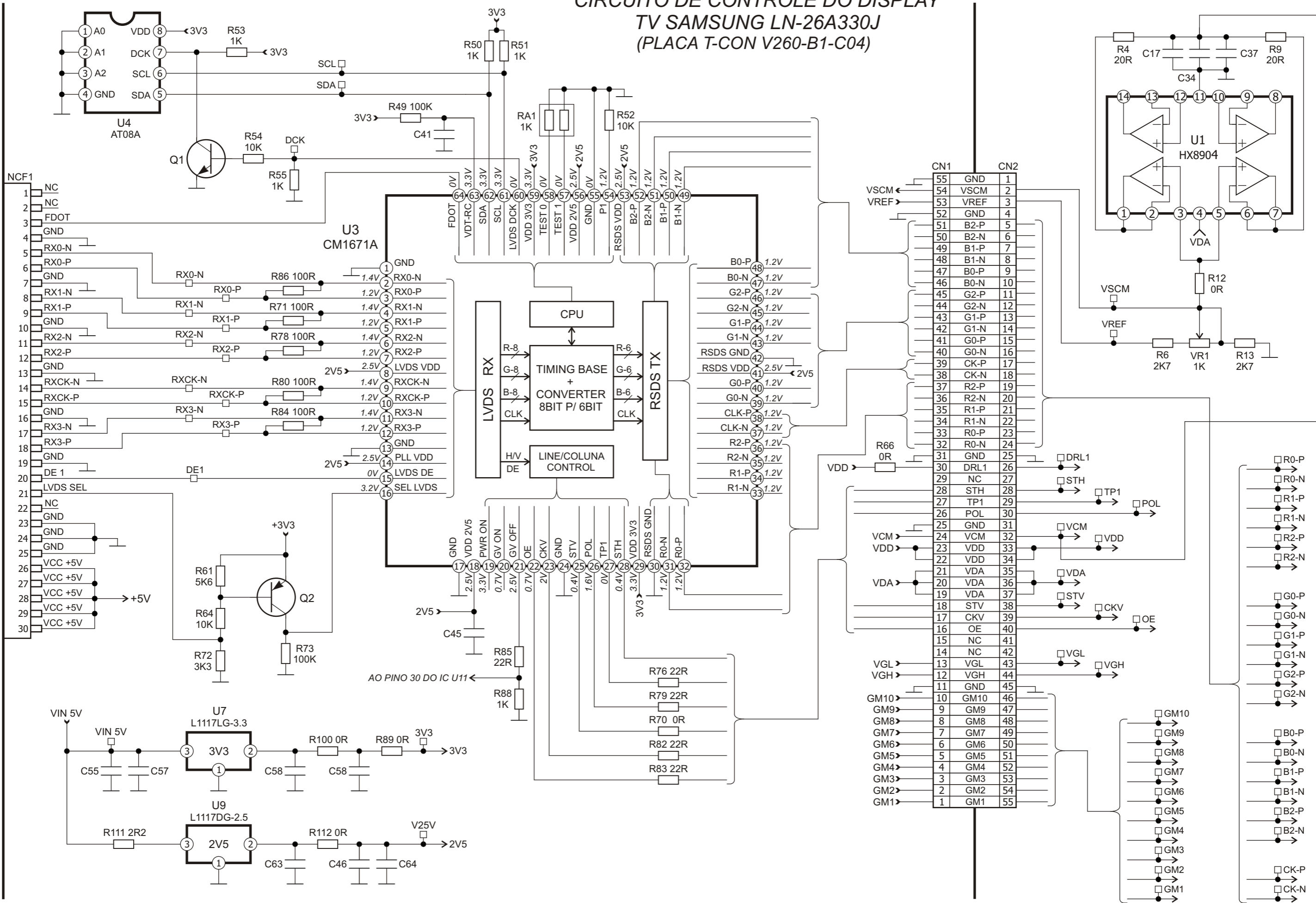


# CIRCUITO DE CONTROLE DO DISPLAY TV SAMSUNG LN-26A330J (PLACA T-CON V260-B1-C04)



**CIRCUITO BIAS E CIRCUITO GAMA**  
**TV SAMSUNG LN-26A330J**  
**(PLACA T-CON V260-B1-C04)**

