

CANDY 31000326 SERVICE MANUAL



Table of Contents

[Illustrations](#)

[Parts identification](#)

[Inside links diagram](#)

[Recirculation pump diagram](#)

[Tapped field diagram](#)



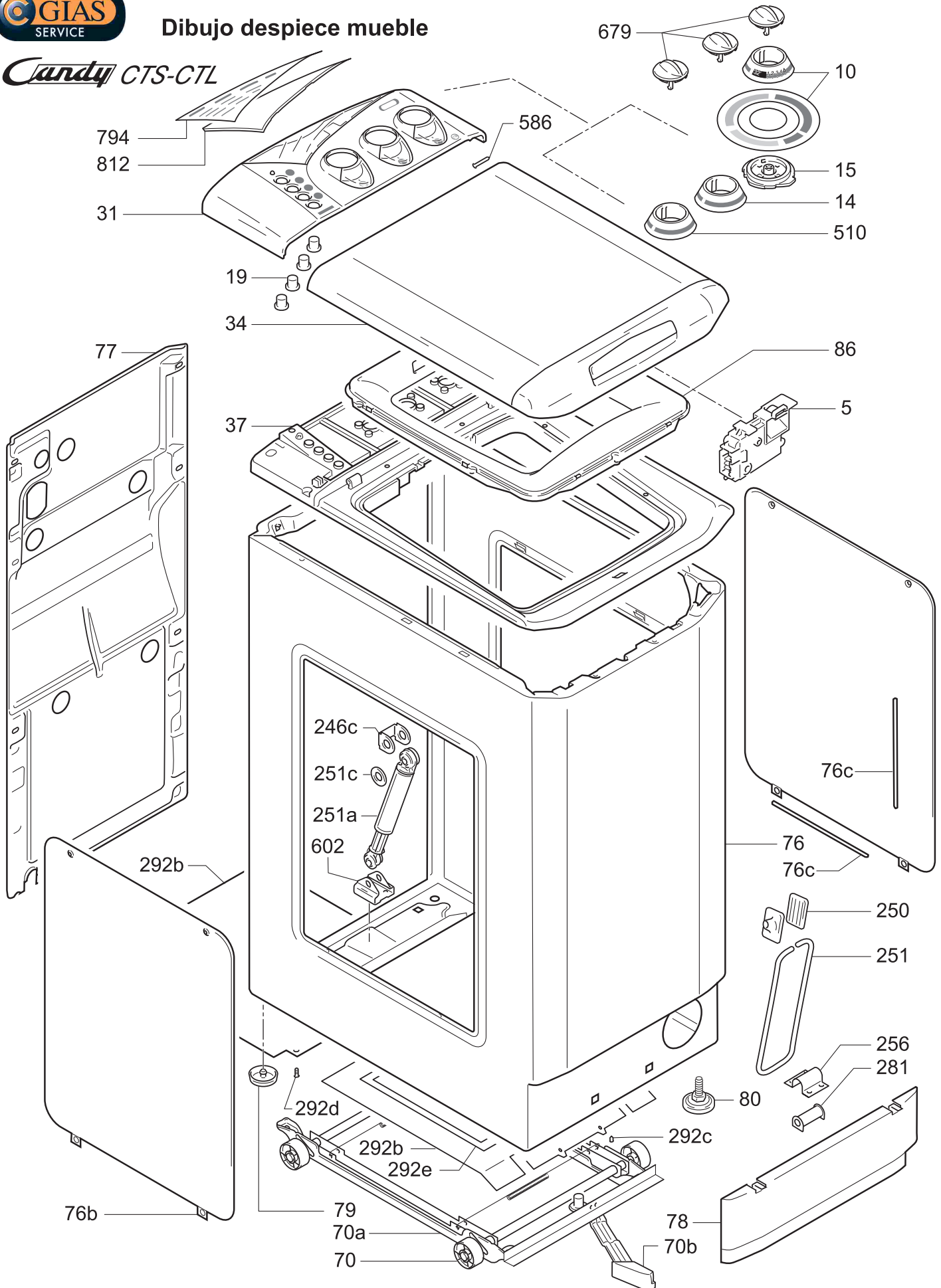
Assistenza Tecnica After Sales Service Service Apres Vente Kundendienst Servicio Post-Venta

CANDY

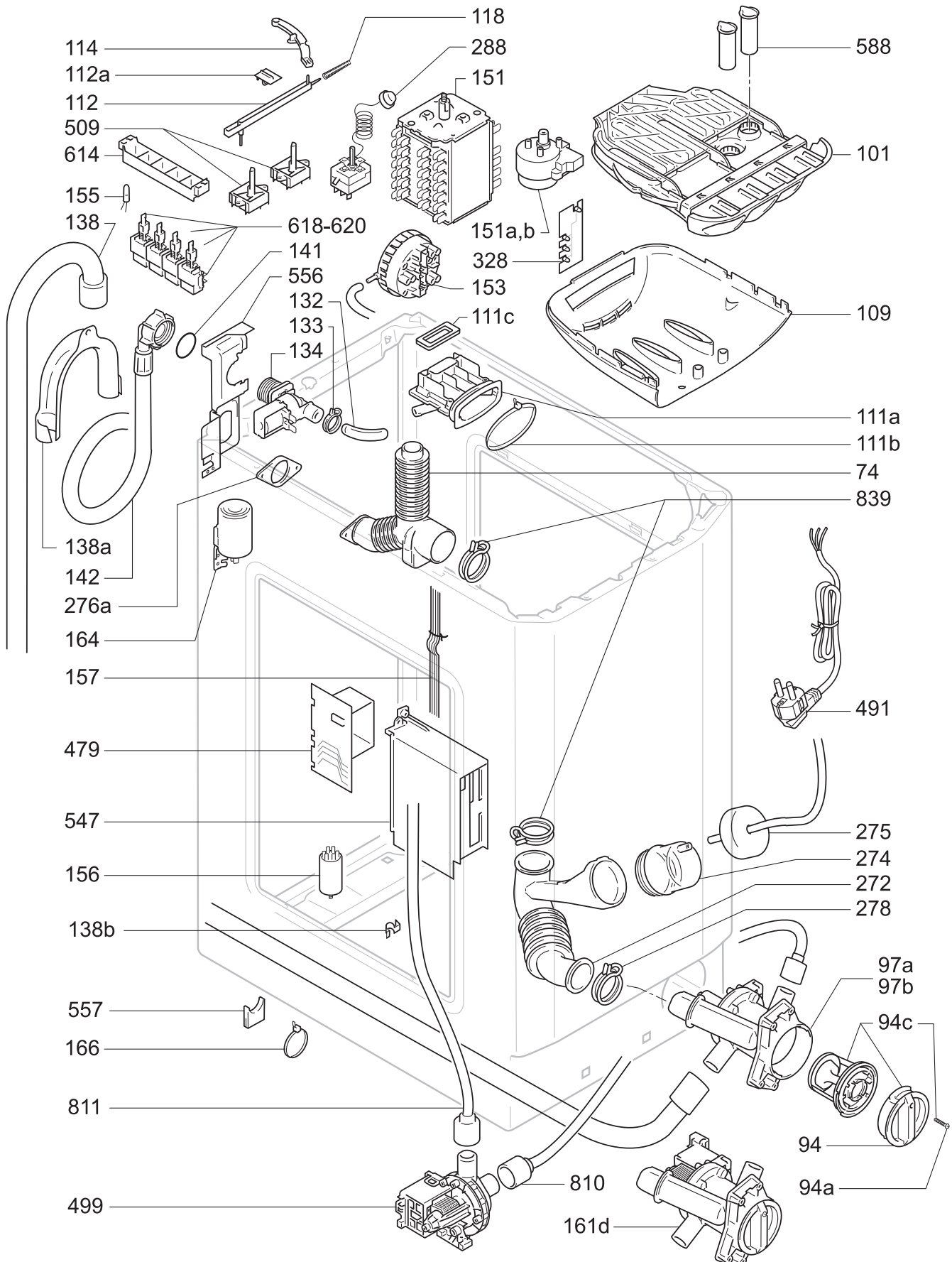
31000326 CTS102T

Service Manual

Candy CTS-CTL

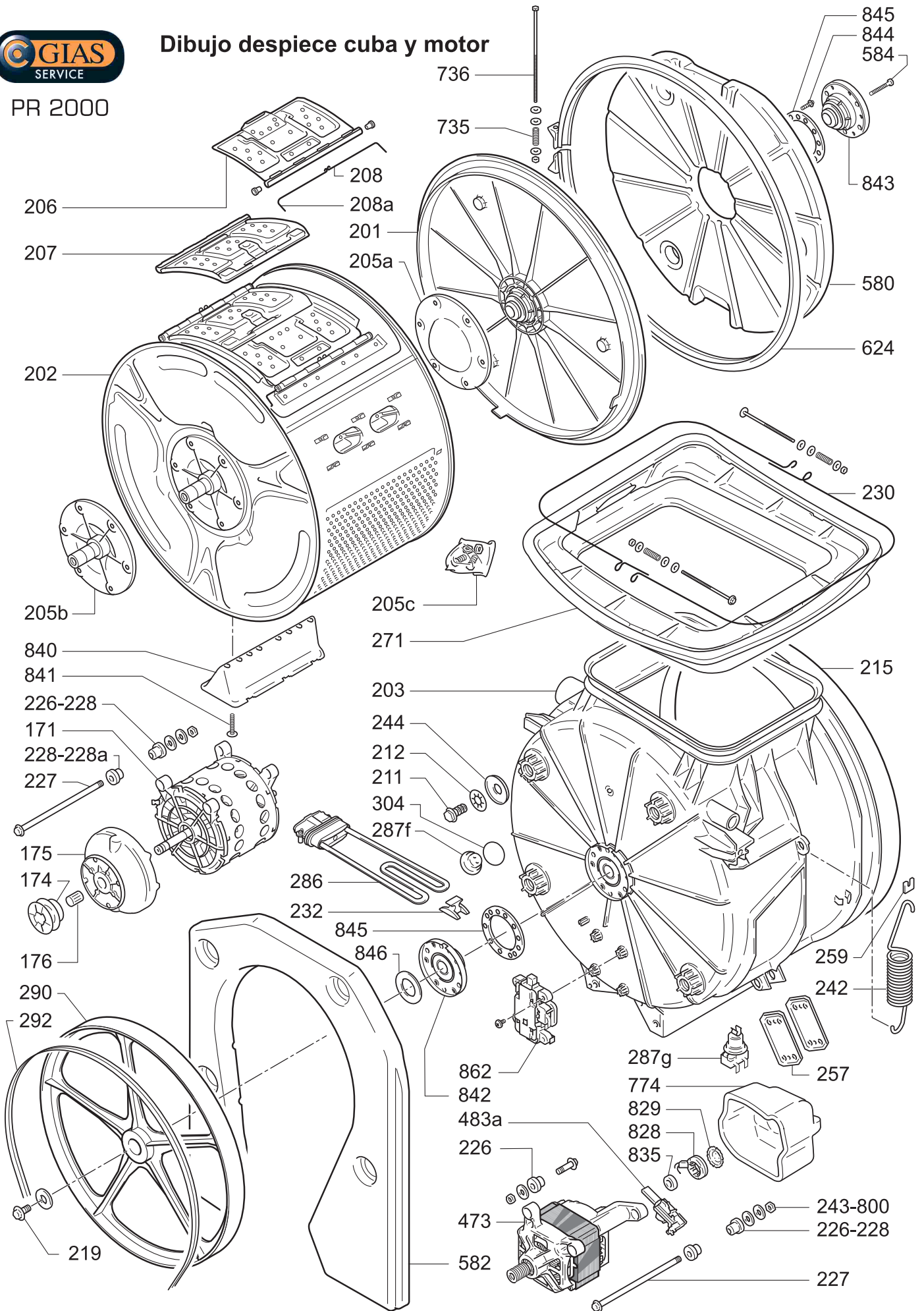


PR 2000



Dibujo despiece cuba y motor

PR 2000



**Mod: 31000326 CTS102T 0308 (17/02/2003)**

Ref.	Descrizione - Description - Beschreibung - Descripcion	Ricambio Part No. Piece E-Teil Pieza	Inizio Beginning Debut Begin Inicio	Fine Ending Fin End Fin
5	Door safety device	80049349		
10	Timer/select. knob	46000356		
14	Temp.regulation knob	80052285		
15	Cam disc	80051836		
19	Button	80049363		
31	Control panel	46000936		
34	White cover	80049577		
37	Upper shelf	80049350		
74	Steam drain hose	80052713		
76	Cabinet assy	46000307		
76b	Cabinet side cover	80049583		
76c	Cabinet side cover gasket	80007172		
77	Rear panel	80049269		
78	Kickpanel	80049377		
79	Rear foot	92606474		
80	Front foot	92692300		
86	Upper frame	80049156		
94	Filter knob	92615285		
94a	Bolt	92415140		
94c	Filter knob with gasket	91941111		
97b	Filt.hous.without recycle	91940474		
101	Dispenser drawer	80049367		
109	Dispenser bottom section assy	80049368		
111a	Water inject.nozzle assy.	80049101		
111c	Water inject assy gasket	80051088		
112	Distribution connecting rod	80049185		
112a	Direction control bridle	80051225		
114	Driving lever	80016595		
118	Spring	80050321		
132	Valve hose cold water	80049400		
133	Hose clip	80034762		

**Mod: 31000326 CTS102T 0308 (17/02/2003)**

Ref.	Descrizione - Description - Beschreibung - Descripción	Ricambio Part No. Piece E-Teil Pieza	Inizio Beginning Debut Begin Inicio	Fine Ending Fin End Fin
134	Solenoid valve	90450750		
138	Drain hose	80034556		
138a	Drain house elbow	80001787		
142	Fill hose	92250869		
151a	Motorized selector 30 settings	91201337		
153	Pressure switch	80051850		
155	Indicator light	80052504		
157	Harness	46000451		
158	Mains block	91623678		
161	Drain/recycle pump	80052358		
164	Anti jamming filter radio	91212795		
201	Front flange	80051831		
202	Drum	80035249		
203	Tub	46000136		
205a	Right drum shaft assy	80000516		
205b	Left drum shaft assy	80050885		
205c	Drum shaft fixing kit	81448136		
206	Rolling shutt withou hook	80024920		
207	Rolling shutter with hook	80024912		
208	R/H spring	80010242		
208a	L/H spring	80010259		
211	Bolt	46000249		
212	Asbestos washer	80000755		
215	Tub gasket	80018989		
227	Motor stay bolt	80000995		
228	Shock absorber bearing	80001647		
228a	Pulley bearing	80001639		
230	Tub gasket clip	92787316		
232	Heater holder	92675891		
242	Support spring.	80049604		
244	Washer	80000664		

**Mod: 31000326 CTS102T 0308 (17/02/2003)**

Ref.	Descrizione - Description - Beschreibung - Descripcion	Ricambio Part No. Piece E-Teil Pieza	Inizio Beginning Debut Begin Inicio	Fine Ending Fin End Fin
250	Damper pads	92697838		
251	Shoch absorber spring	80002322		
251d	Nut	80000797		
256	Clamp	92851302		
257	Damper slide	92863976		
259	Support	92673961		
271	Door gasket	80049141		
272	Discharge pipe	80033939		
274	Pressure switch air chamber	80001845		
275	5x8 hose	80024987		
276a	Grid steam hose	80049867		
281	Shock Absorder grommet	92606227		
286	Heater	46000312		
287m	NTC probe	92743616		
290	Drum pulley	80049569		
292a	Extensible belt	46000003		
292b	Bottom panel	80050214		
292c	Clips	80050373		
304	Gasket	92447119		
473a	Commutator motor SOLE	46000001		
479e	Electronic control 24K not programmed	91201336		
479h	Coreboard 24K programmed	81452282		
483a	Brush with brush holder	81451998		
491	Mains cable	91200206		
509	Potentiometer	41000769		
511a	Detergent measurer 32 minutes	91601212		
547	Module protection	80051617		
556	Electric valve support	80050450		
557	Hose support hook	80001753		
580	Front connterweight	80001720		
582	Pulley side count.weight	80001738		

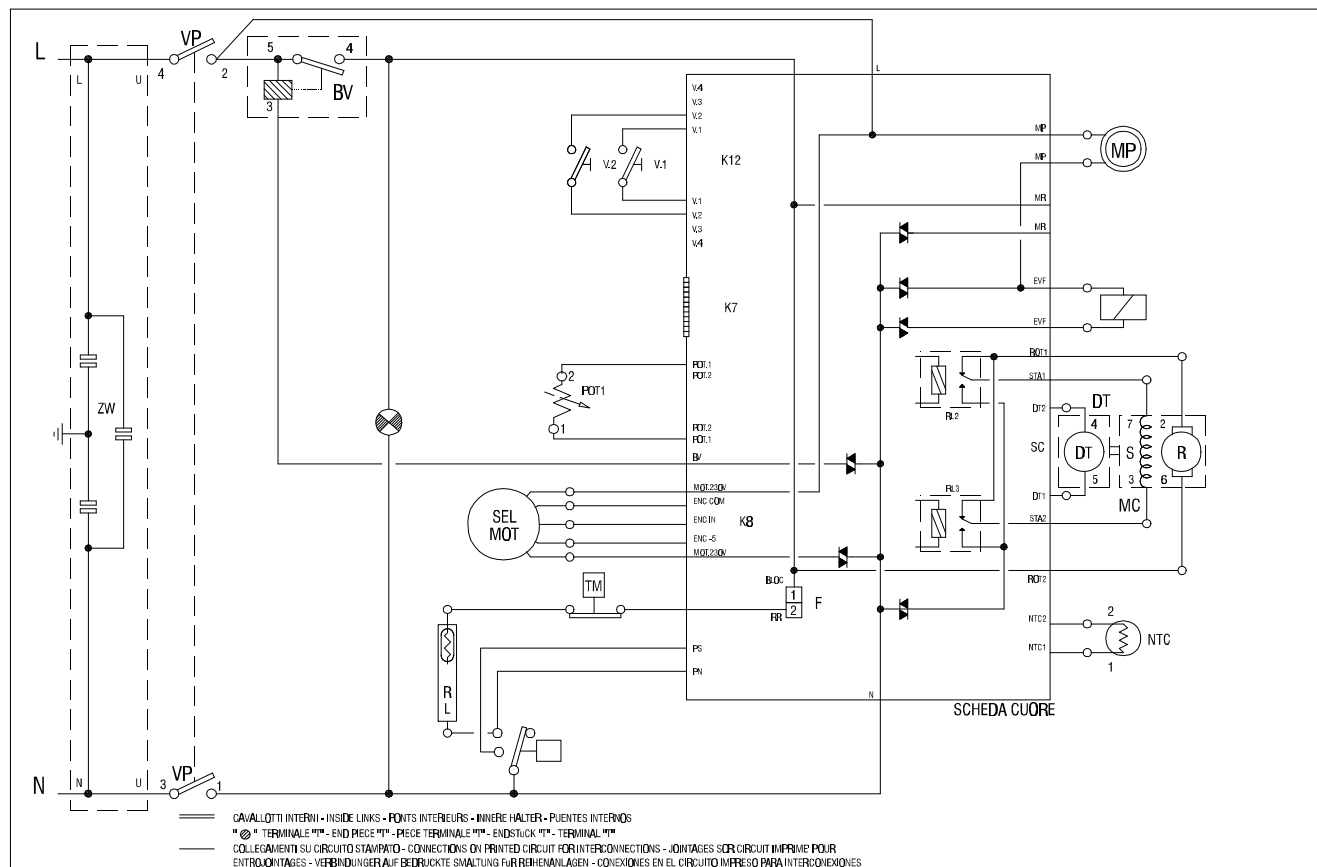
**Mod: 31000326 CTS102T 0308 (17/02/2003)**

Ref.	Descrizione - Description - Beschreibung - Descripcion	Ricambio Part No. Piece E-Teil Pieza	Inizio Beginning Debut Begin Inicio	Fine Ending Fin End Fin
584	Drum support fixin screw	80001191		
586	Counter cover pin	80049343		
588	Siphon	80049373		
614	Therm.press.push b. supp.	80019673		
619	Bipolar Switch NA	41000842		
620	Unipol change over switch	91201858		
624	Tire for tightening tub	80018666		
679	Knob cover	80049865		
735	Clousure ring spring	80002314		
736	Clousure ring screw	80018690		
794i	Adhes.index program. FINL	46000359		
794l	Adhes.index program. SVE	46000358		
794m	Adhes.index program. RUS	46000357		
794n	Adhes.index program. CEC	46000404		
794o	Adhes.index program. POL	46000229		
812	Plate assy	80049287		
828b	Tach.coil	49000464		
833a	Sponge balance weight	46000656		
835a	Magnet	49000465		
839	Clip	80001118		
842	Tub bearing disk	80051645		
843	Flange bearing disk	80051646		
844	Disk fixing screw	80051643		
845	Gasket	80032626		
846	Washer	80050883		
999	Wiring diagram	80052649		
1147	Transit bolt kit	81452279		

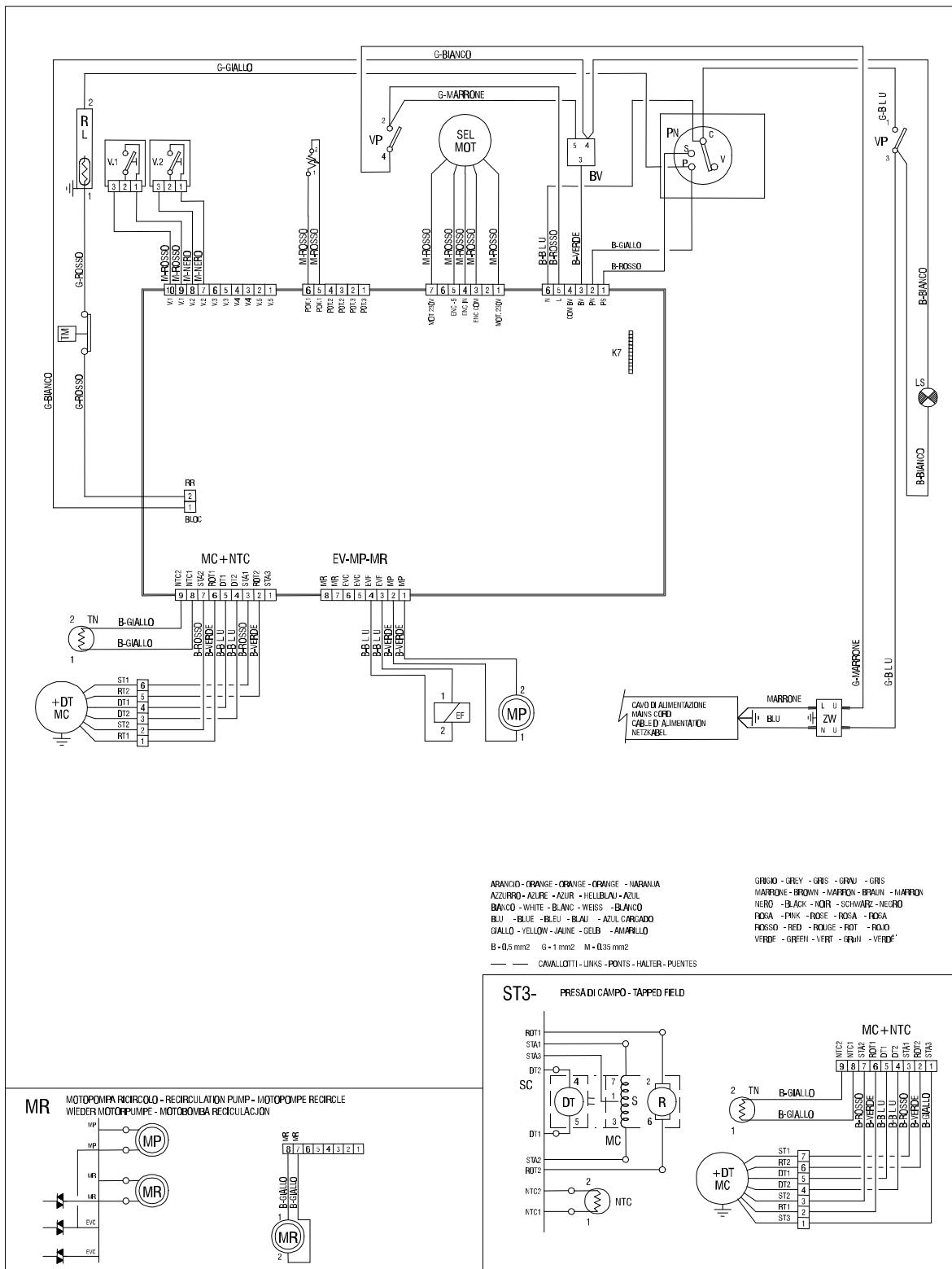
MODELLI - MODELS - MODELES - MODELLE - MODELOS

CODICE CODE CODE CODIGO	DENOMINAZIONE DESCRIPTION BESCHREIBUNG DENOMINATION	STOCK STOCK STOCK STOCK	COMPOSIZIONE COMPOSITION KOMPOSITION KOMPOSITION	SCHEDA CUORE CORE BOARD
37506953	CANDY CTT67T	EUROPA	SEC+POT+VP+VE+VD	91201336

CODICE CODE CODE CODIGO	DENOMINAZIONE DESCRIPTION BESCHREIBUNG DENOMINATION	STOCK STOCK STOCK STOCK	COMPOSIZIONE COMPOSITION KOMPOSITION KOMPOSITION	SCHEDA CUORE CORE BOARD



ESQUEMA ELECTRICO 80052649 (1)



ESQUEMA ELECTRICO 80052649 (2)