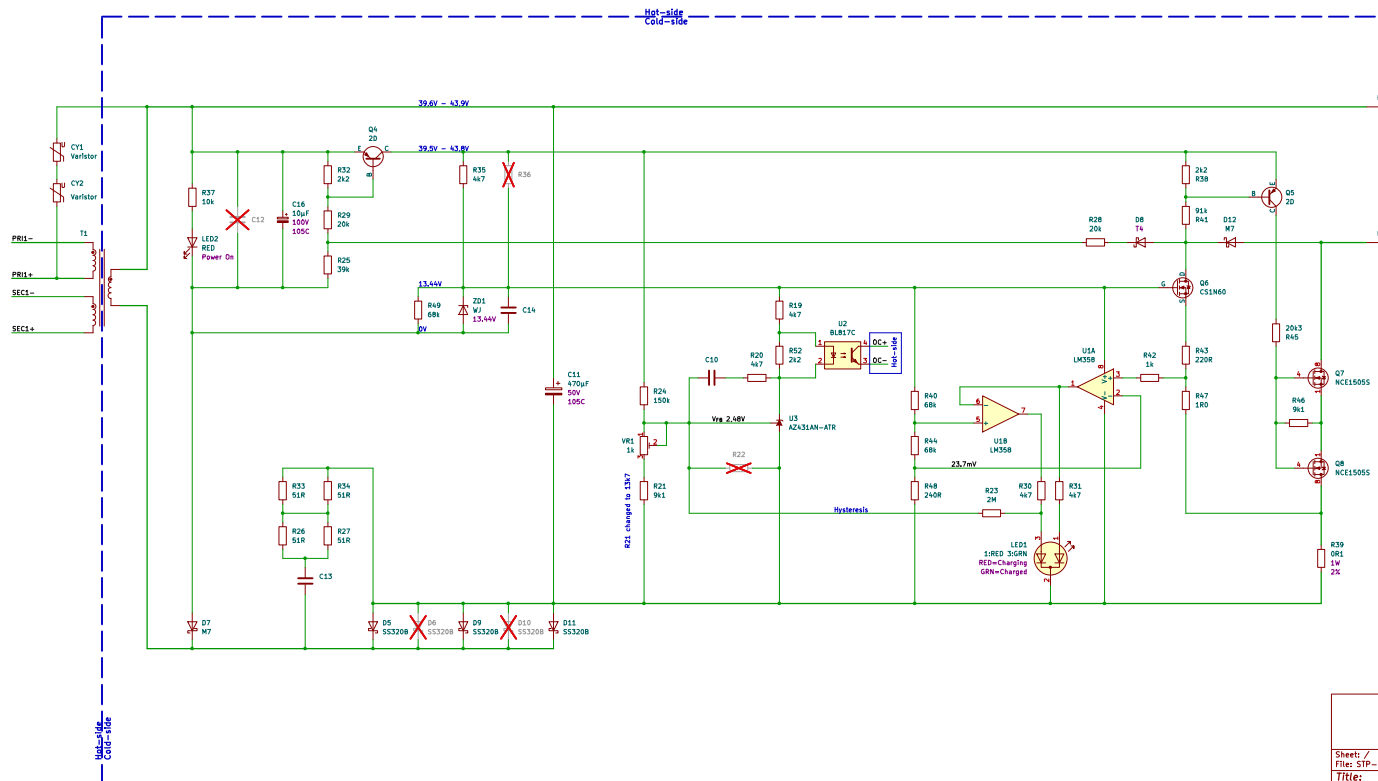


PCB markings:  
 REV:A.5  
 STP-B100L-05  
 2014.04.06  
 WWW.STCHARGERS.COM

In an attempt to lower output float voltage range (selected by VR1) to 24V, R21 was changed to 13k7 however unloaded output voltage never got below 39.3V Hot-side feedback voltage divider R50, R8 & C5 looks like a possible solution.

ToDo:  
 Measure @ R21=9k1  
 B+ = 41.0  
 VC7 = 17.37  
 VC1 = 16.8  
 VOC+ = 4.57  
 VOC- = 0.402  
 Ir10 = (17.37-4.57=12.8)/91k=0.141mA

Measure @ R21=13k7  
 B+ = 39.3  
 VC7 = 16.66  
 VC1 = 16.11  
 VOC+ = 0.545  
 VOC- = 0.462  
 Ir10 = (16.66-0.545=16.12)/91k=0.177mA



Sheet /	File: STP-B100L-0520Engineering.kicad.sch
Title:	
Size: A2	Date: 2023-08-08
KiCad E.D.A. 8.0.0	Rev: 10: 1/1