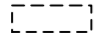

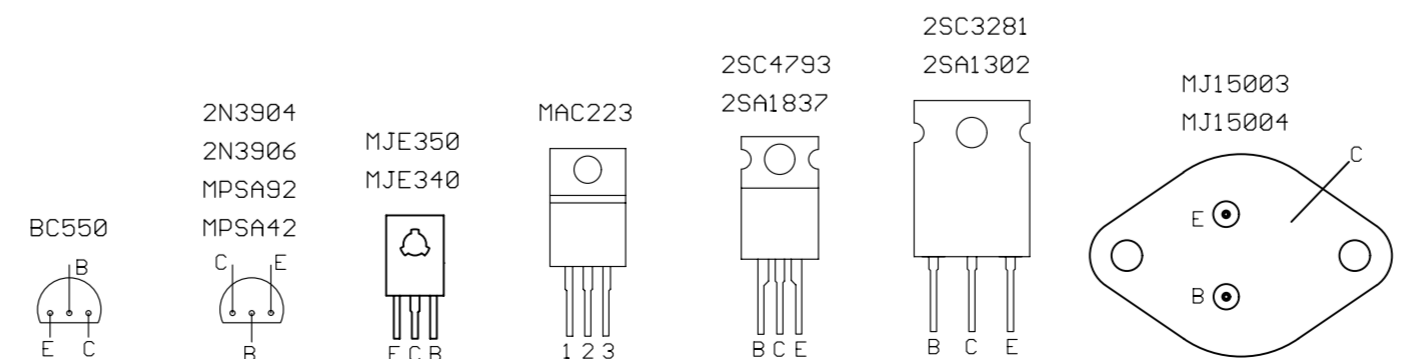
 DC VOLTAGE MEASURED WITH VOLTMETER 100kOHM/V
 AC VOLTAGE 1000 HZ, MEASURED WITH VTVM

 FLAME-PROOF RESISTOR
 SAFETY COMPONENT - MUST BE
 REPLACED BY ORIGINAL PART ONLY !

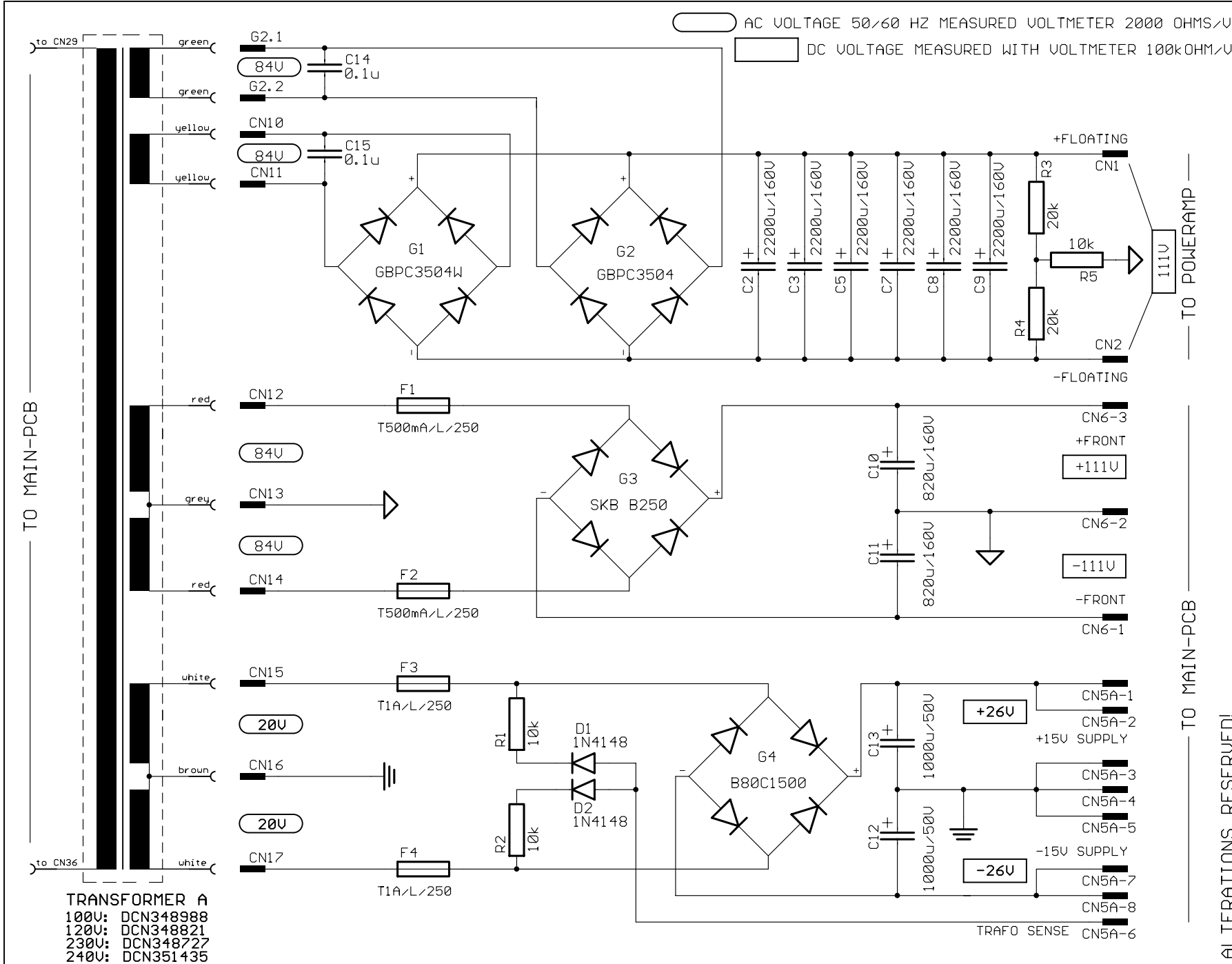


ALTERATIONS RESERVED!

SYMB.	REVISION	DATE	NAME
		21.11.1996 11:00:42	DSG'D
		07.05.2001 16:29:50	CHK'D
		3.3.95	APP'D
		3.3.95	Brandl
		4.11.94	Brandl
		6.9.94	Brandl

84158E POWERAMP	
CIRCUIT DIAGRAM	1/1
348723	2-
L1600	

DYNACORD



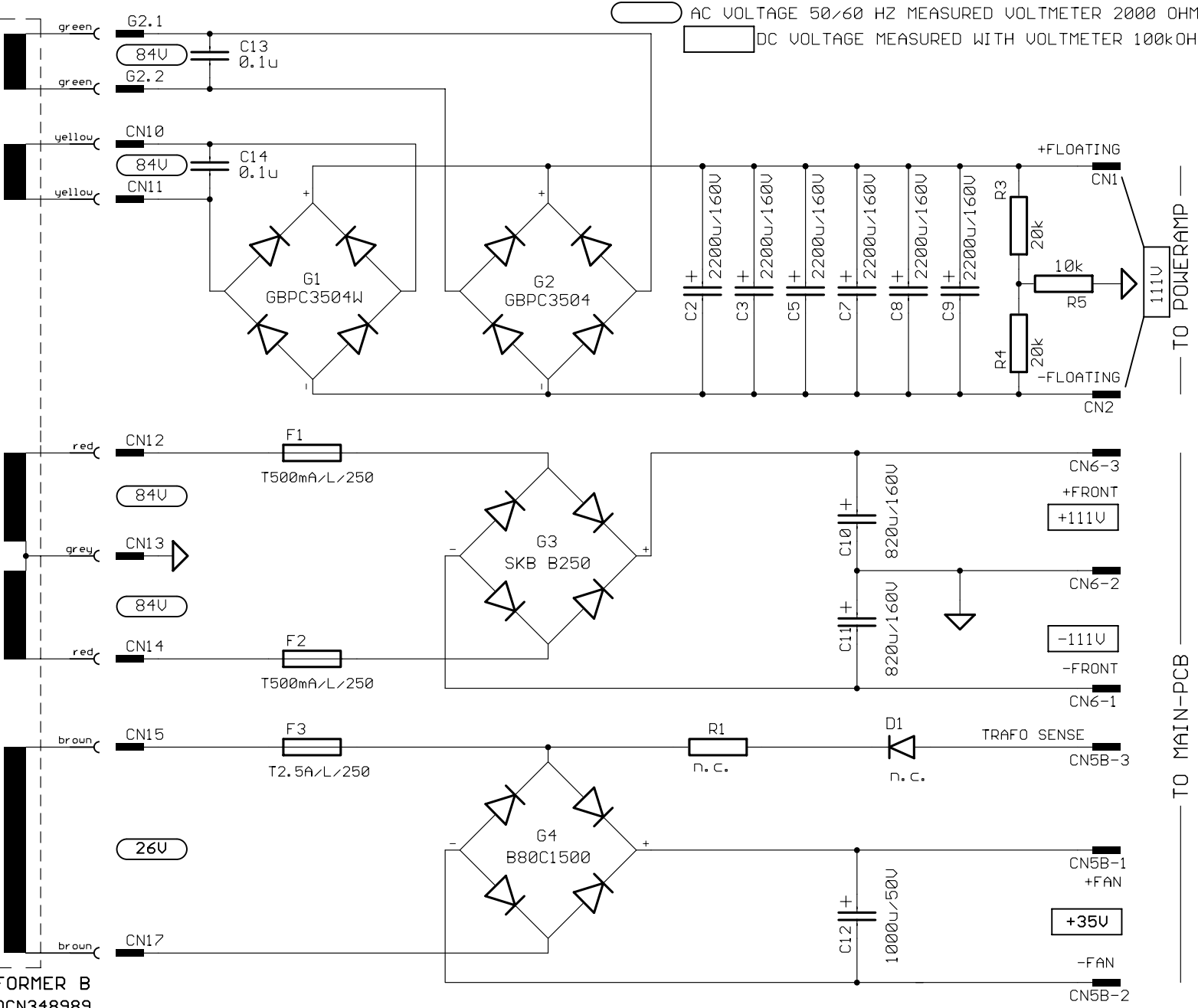
ALTERATIONS RESERVED!

Last modified: 10.10.2000 14:26:06		85244 NETA	
Last plotted: 10.10.2000 14:56:50		CIRCUIT DIAGRAM	
DSG'D	DATE	NAME	348719 L1600
CHK'D	3.3.95	J. Taffner	
APP'D		Brandl M.	
SYMB.	REVISION	DATE	DYNACORD
			4-

TO MAIN-PCB

TO MAIN-PCB

TRANSFORMER B
 100V: DCN348989
 120V: DCN348822
 230V: DCN348729
 240V: DCN351437



AC VOLTAGE 50/60 HZ MEASURED VOLTMETER 2000 OHMS/Ω
 DC VOLTAGE MEASURED WITH VOLTMETER 100kOHM/Ω

TO POWERAMP

TO MAIN-PCB

ALTERATIONS RESERVED!

Last modified:	10.10.2000 14:26:36
Last plotted:	10.10.2000 14:57:20
DATE	NAME
DSG'D	J. Taffner
CHK'D	3.3.95 Brandl M.
APP'D	

85245 NETB

CIRCUIT DIAGRAM

348721

L1600

DYNACORD

SYMB.	REVISION	DATE	NAME