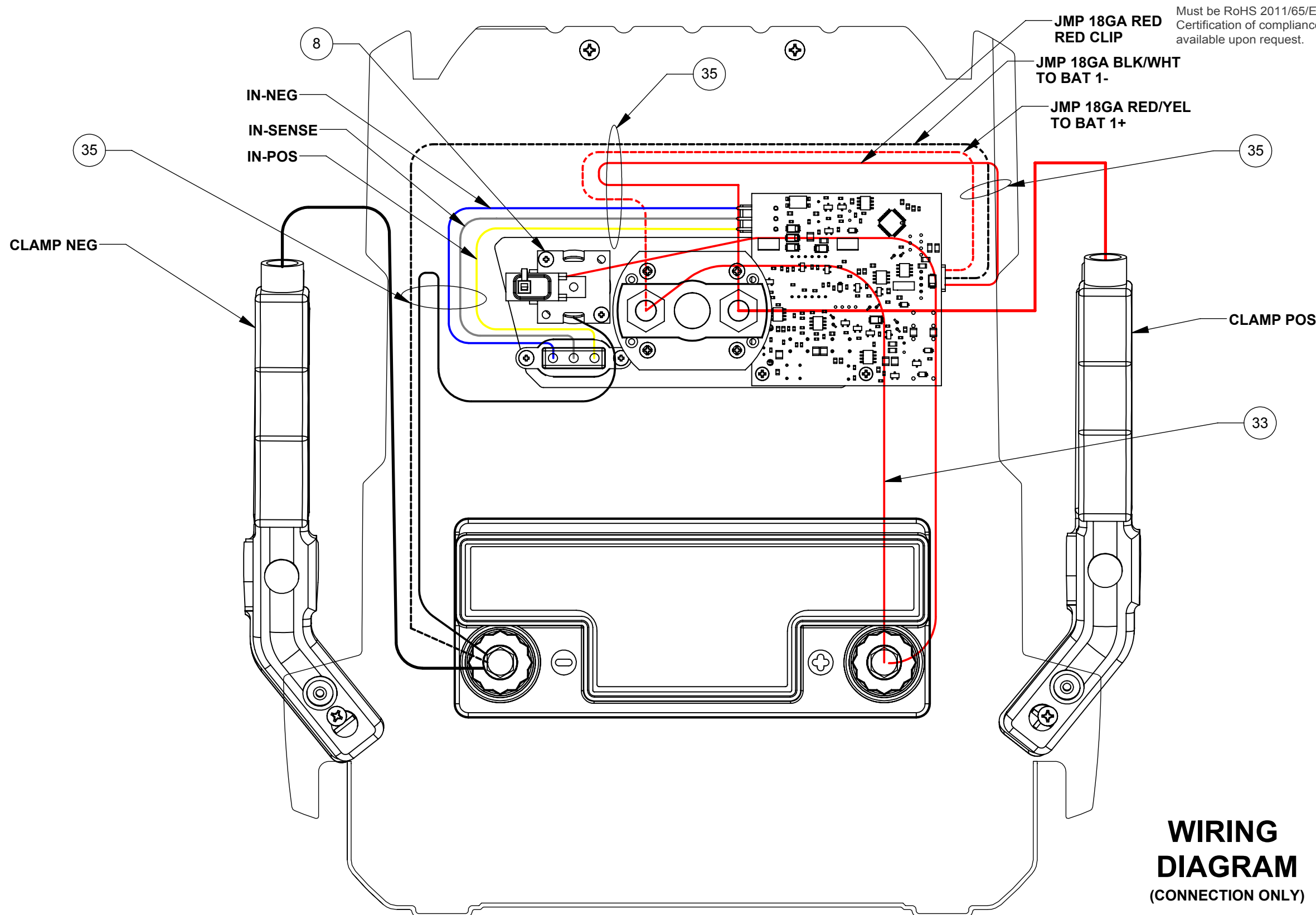


Must be RoHS 2011/65/EU compliant.
Certification of compliance must be available upon request.

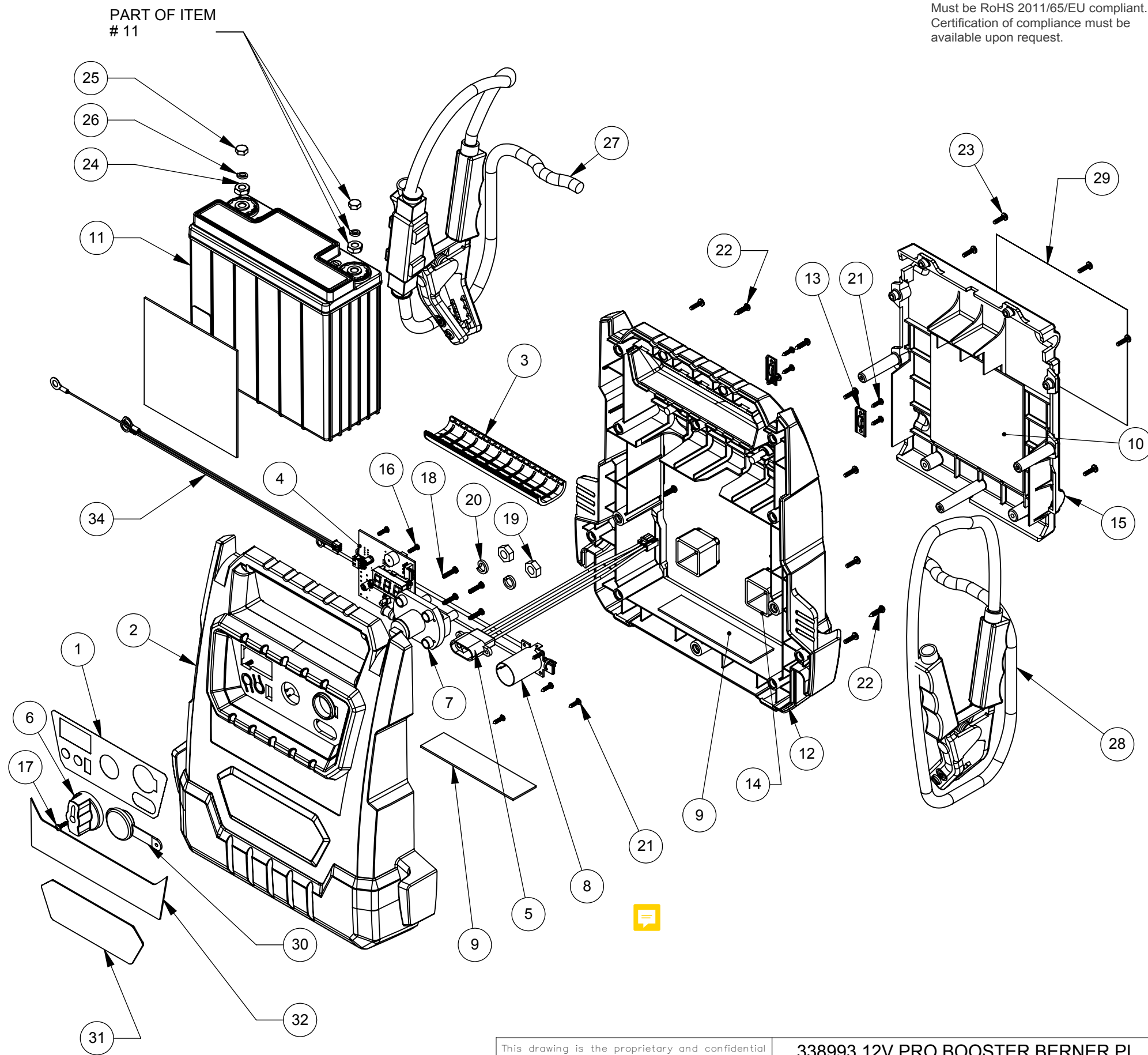


NOTES:

1. FOR DETAILED ASSEMBLY SEE WORK INSTRUCTION 94065177CWI
2. LABEL CARTON (ITEM 46) TO BE PLACED ON INDIVIDUAL CARTON

05	—	#	—	—	DRAWN: 12/23/16	BY: VM	This drawing is the proprietary and confidential property of Schumacher Electric Corporation. Dissemination of this document or the information contained herein is prohibited without the express permission of the Director of Engineering. Use of this document by any supplier or distributor is expressly limited to the use authorized by Schumacher Electric Corporation in providing it to you.	
04	—	#	—	—	CHECKED: 12/23/16	BY: DZ		
03	—	#	—	—	APPROVED: 12/23/16	BY: RGC		
02	—	#	—	—	SCALE: 5:8	SIZE: B		
01	—	#	—	—	ALL DIMENSIONS IN INCH(MM) UNLESS OTHERWISE SPECIFIED			
00	INITIAL RELEASE	9552	04/19/17	MT	TOLERANCES .XXX ±.004[0.10] .XX ±0.01[0.3] .X ±0.1[2.5] FRACTIONAL ±1/64 ANGULAR ±5MIN		338993 12V PRO BOOSTER BERNER PL C	
NO.	REVISION	ECN	DATE	SIG.	THIRD ANGLE PROJECTION			
								PART NUMBER: 94065177C
							801 BUSINESS CENTER DRIVE MT. PROSPECT, ILLINOIS 60056	SOLIDWORKS SH 1 OF 2

ITEM NO.	PART NUMBER	DESCRIPTION	QTY.
1	0899009609	LABEL FACEPLATE PJI174 & 338993 BERNER	1
2	3699002314	CASE FRONT BLUE 338993 BERNER	1
3	3699002228	CASE HANDLE INSERT CJP400/550/700/850	1
4	2299003017	ASSY PCB CONTROL BD PBI0174 CS2A	1
5	3899003727	PLUG SAE STYLE 3 PIN WITH HOUSING	1
6	3699102052	KNOB W/ PAD PRINTING CJP400/550	1
7	0499000148	SWITCH, ON/OFF BLK PBI/PSJ	1
8	2299002231	ASSY DC ADAPTER W/ FIBRE BOARD	1
9	0099000718	TAPE 120x30x2MM	2
10	0099000715	TAPE 120x120x2MM	2
11	5799000051	BATT 22AH 12V-900CA SHR24-12S BB	1
12	3699002230	CASE BACK CJP400/550	1
13	4999000245	STRAP STRAIN RELIEF 4GA EEJP	2
14	4999001288	SUPPORT BATTERY CJP550/700	2
15	3699002231	CASE COVER CJP400/550	1
16	5199000670	SCREW M3x10 PH PHTF TYPE B SNP	2
17	5199001122	SCREW M3x12 PH PHST SBLX	1
18	5199000464	SCREW M3.5x15 PH PHST NP	4
19	5299000030	NUT M8 X 1.25 STEEL ZINC PLATED	2
20	5299000024	WASHER, SPRING 12.5 X 8.2 X 2.2MM	2
21	5199000416	SCREW M3x11 PH PHST SZP	6
22	5199001030	SCREW M4x16 PH PHST SZP	4
23	5199001020	SCREW M4x25 PH PHST SZP	16
24	5299000105	HEX NUT 5/16"BRASS	1
25	5199009270	BOLT M6x18 HHMS ZP	1
26	5299000020	WASHER SPRING 9.5X6.2X1.9MM	1
27	3899003779	CABLE W/FUSE 2GA RED 70.75IN CLAMP T925	1
28	3899003755	CABLE 2GA BLK 69 IN CLAMP T915	1
29	0899009590	LABEL WARNING PJI174 & 338993	1
30	4999000208	COVER DC SOCKET PVC BLACK	1
31	0899009718	LABEL LOWER FRONT 338993 BERNER	1
32	0899009618	LABEL PRODUCT 338993 BERNER	1
33	3899003666	JMP 4GA BLK 6.25IN 913/924	1
34	6294065174C	JUMPER KIT PBI174 & 338993 BERNER	1
35	0000000144	CABLE TIE 4IN BLK TYTON CABLE #T18R	3
NOT SHOWN ON THIS DOCUMENT			
36	0099001785	MANUAL OWNERS BERNER MODELS	1
37	9607000769	TEST PROCEDURE PJI174/175	1
38	9614001062	SPEC TO PRINT DATE S/N & EAN CODE	4
39	3499102395	PALLET 800mm x 1200mm PLASTIC EURO 2	0.03333
40	3400200048	PAD, 44" X 44"	0.10000
41	3499103885	CARTON INDIVIDUAL PJI174 & 338993 BERNER	1
42	3499103887	CARTON INSERT TOP PJI174 & 338993 BERNER	1
43	2299003048CZ	SPI2CS 12V CHRGR PLUG C PBI ACC BERNER	1
44	4999001309	BAG POLY CLEAR 11 X 18 IN OPEN END	1
45	0899002230	LABEL, TRANSPARENT 1.250" DIAM	1
46	0899009768	LABEL CARTON 33893 BERNER	1
47	0000000657	PLASTIC WRAP, 20" X 5500" X 80 GA.	.00370



Must be RoHS 2011/65/EU compliant.
Certification of compliance must be available upon request.

This drawing is the proprietary and confidential property of Schumacher Electric Corporation. Dissemination of this document or the information contained herein is prohibited without the express permission of the Director of Engineering. Use of this document by any supplier or distributor is expressly limited to the use authorized by Schumacher Electric Corporation in providing it to you.

338993 12V PRO BOOSTER BERNER PL C



PART NUMBER:
94065177C

REV:
00

801 BUSINESS CENTER DRIVE
MT. PROSPECT, ILLINOIS 60056

SOLIDWORKS SH 2 OF 2