



Product Service

EMC EMISSION TEST REPORT

Project Number : 708880701907-Part 1 Date of Issue: August 20, 2007

Model / Serial No. : KT-600, KT-600G, KT-700, KT-600I/4, KT-600E, KT-600F, KT-600G2

Product Type : Electric toaster

Applicant : Ningbo Kaibo Group Co., Ltd.

Manufacturer : Ningbo Kaibo Group Co., Ltd.

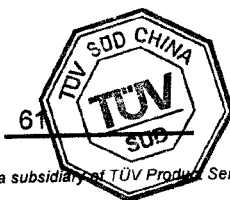
License holder : Ningbo Kaibo Group Co., Ltd.

Address : The Northern Industrial Park of Zhouxiang , Cixi, Zhejiang 315324

: People's Republic of China

Test Result : Positive Negative

Total pages including Appendices



Jiangsu TÜV Product Service Ltd. Shanghai Branch is a subsidiary of TÜV Product Service, GmbH according to the principles outlined in ISO/IEC Guide 25 and EN 45001.

JIANGSU TÜV PRODUCT SERVICE LTD. SHANGHAI BRANCH reports apply only to the specific samples tested under stated test conditions. Construction of the actual test samples has been documented. It is the manufacturer's responsibility to assure that additional production units of this model are manufactured with identical electrical and mechanical components. The manufacturer/importer is responsible to the Competent Authorities in Europe for any modifications made to the production units which result in non-compliance to the relevant regulations. Jiangsu TÜV Product Service Ltd. Shanghai Branch shall have no liability for any deductions, inferences or generalizations drawn by the client or others from Jiangsu TÜV Product Service Ltd. Shanghai Branch issued reports.

This report is the confidential property of the client. As a mutual protection to our clients, the public and ourselves, extracts from the test report shall not be reproduced except in full without our written approval.



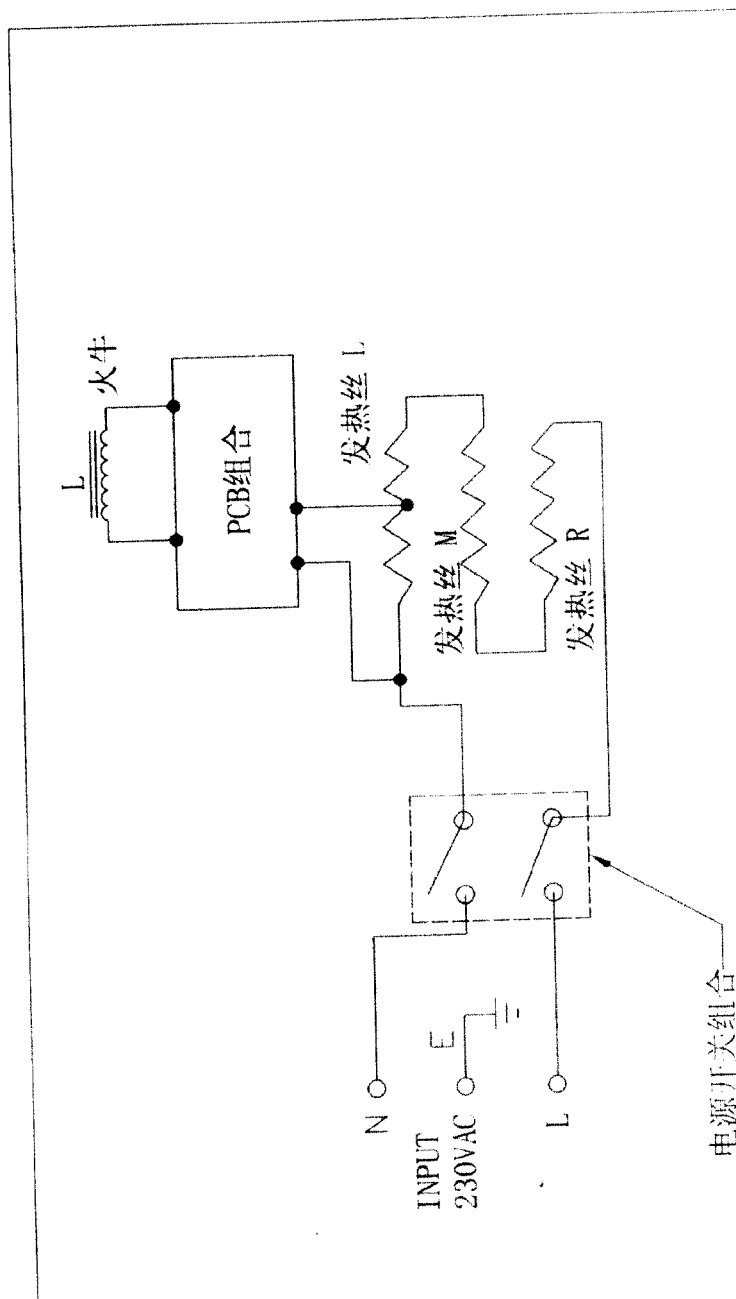
Product Service

Kind of component	Manufacturer	Information about type, current, power, transformer specification number, insulating class	Test mark from (VDE, BSI, UL etc.)
1. Power plug	1) Ningbo Kaibo Group Co., Ltd.	KB-001 AC 250V, 16A	TRPS
	2) Zhejiang shuangyang Group Co., Ltd.	Y003, AC 250V, 16A	VDE
	3) Ningbo Yunhuan Electronics Group Corporation	SY-08, AC 250V, 16A	BSI
	4) Ningbo Qiaopu Electric Co., Ltd.	D03, AC 250V, 16A	VDE
	5) Patelec Cordoni e Cavi S.P.A.	232, AC 250V, 16A	VDE
	6) Shanghai Hiaoqi Electronic Co., Ltd.	HQ-3, AC 250V, 16A	VDE
	7) Zhejiang Xiaomiao Cable Group Co., Ltd.	XM-3, AC250V, 16V	VDE
2. Power cord	1) Yuyao Jinma Electric Wire Factory	H05VV-F 3 x 0.75mm ² (with green/yellow wire)	VDE
	2) Ningbo Sheng Shida Electronic Co., Ltd.	H05VV-F 3 x 0.75mm ² (with green/yellow wire)	VDE
	3) Awin Wire & Cable Co., Ltd	H05VV-F 3 x 0.75mm ² (with green/yellow wire)	VDE
	4) Zhejiang shuangyang Group Co., Ltd.	H05VV-F 3 x 0.75mm ² (with green/yellow wire)	VDE
	5) Yuyao Jiulian Electric Wire Co., Ltd.	H03VV-F 3 x 0.75mm ² (with green/yellow wire)	VDE
	6) Yuyao Wu Zhou Wire & Cable Co., Ltd.	H05VV-F 3 x 0.75mm ² (with green/yellow wire)	VDE
	7) Ningbo Qiaopu Electric Co., Ltd	H05VV-F 3 x 0.75mm ² (with green/yellow wire)	VDE
	8) Zhejiang Xiaomiao Cable Group Co., Ltd.	H03VV-F 3 x 0.75mm ² (with green/yellow wire) H05VV-F 3 x 0.75mm ² (with green/yellow wire)	VDE
3. Control PCB	YuYao Ditang Electric Elements Factory	XPC	No(test with appliance)
4. Heating wire	Changshu Electric Heat and Alloy Material Factory	Cr20Ni80	No(test with appliance)
5. Integrate circuit	1) AnteceDesign Microelectronics Co.,Ltd.	A0201D (For KT-600, KT-600F, KT-600G, KT-600G2, KT-700, KT-600I/4) A0201F (For KT-600E)	No(test with appliance)
	2) Linpo Shengyong Electronics(shenzhen)Ltd.	PT8A2511PE (For KT-600, KT-600F, KT-600G, KT-600G2, KT-700, KT-600I/4) PT8A2512NE (For KT-600E)	No(test with appliance)
6. Triode	Hangzhou Kaideli Electron Co., Ltd	S9014, S8550	No(test with appliance)
7 Diode	Hangzhou Kaideli Electron Co., Ltd	1N4148 1N4007	No(test with appliance)



Product Service

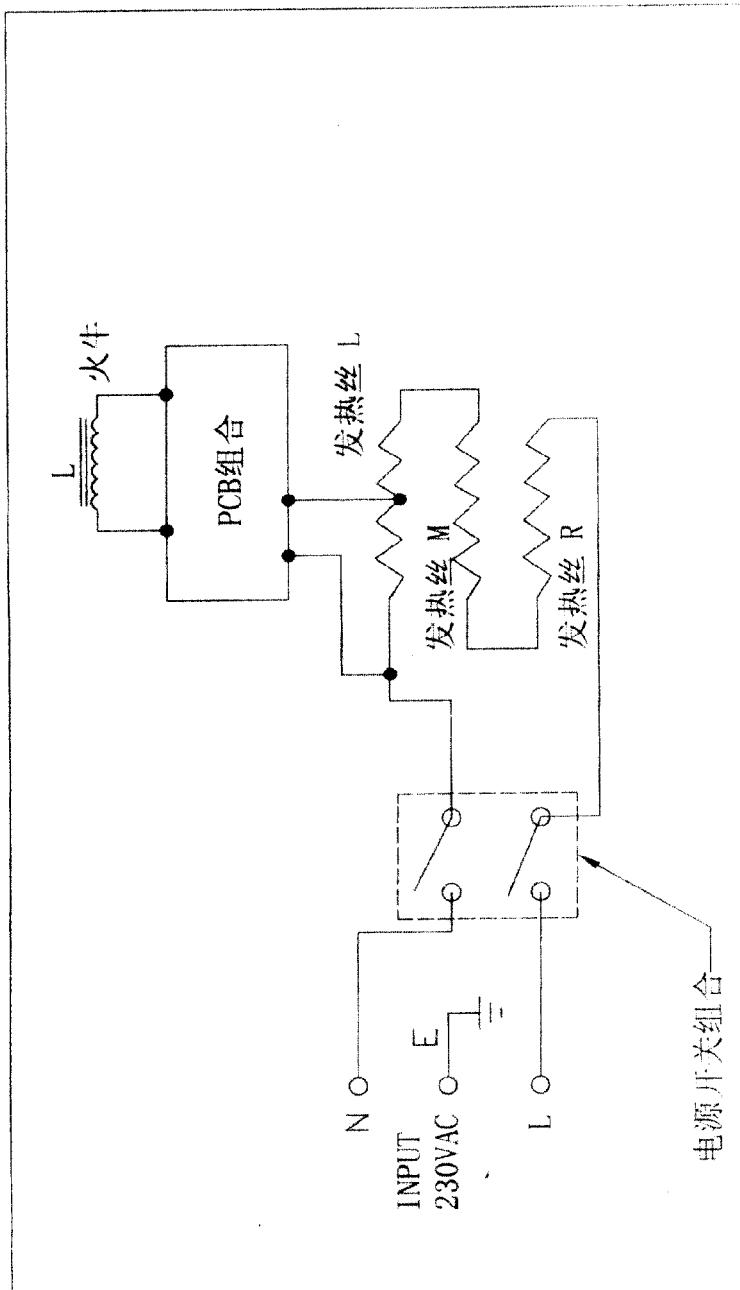
Circuit Diagram



宁波凯波集团有限公司			
机种	名称	比例	单位
	KT-600	既模角度	度
名称	电器原理图	材料	度
图号	王兴乾	平均壁厚	号
审核		图号	号
确认		时间	时间



Product Service

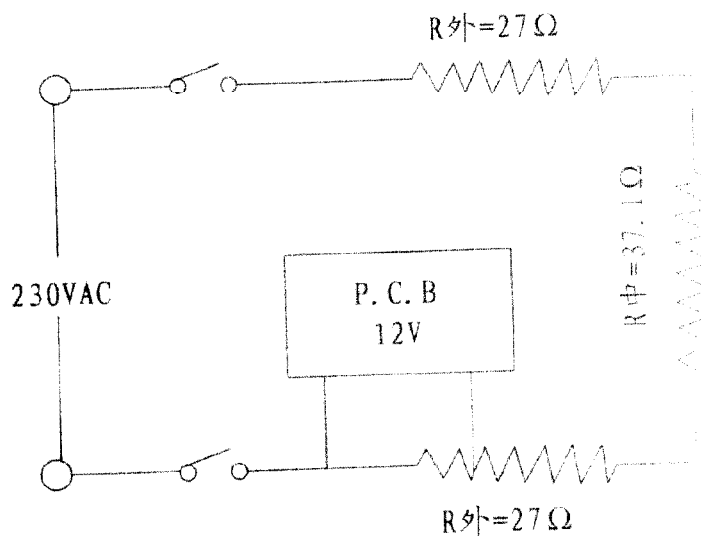


宁波凯波集团有限公司

名称	HF-600L/4	比例	1:1
规格	电器原理图	绝缘厚度	
材料		平均壁厚	
尺寸		图号	
时间		数量	
时间		单位	
时间		备注	



Product Service



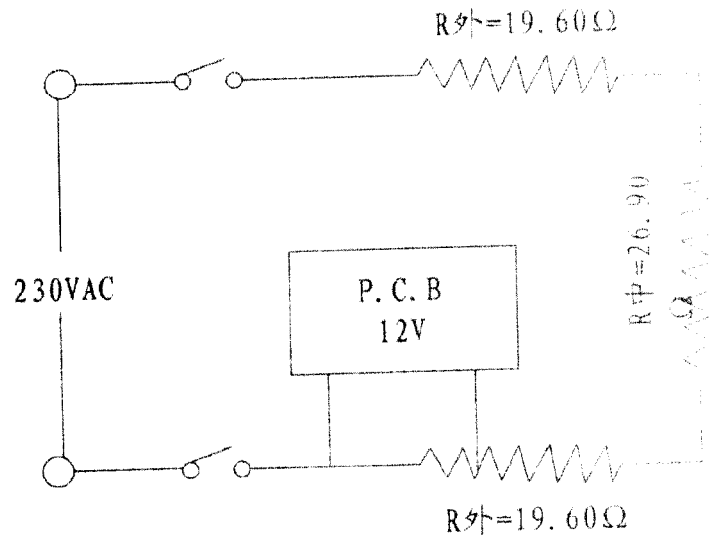
宁波凯波集团有限公司

机种	KT-600G2		比例	N/A	版次	1.0
名称	电器原理图		脱模角度		用量	
制图	吴鑫	时间	03/01/21	材质		
审核		时间		平均壁厚		
确认		时间		图号		
				料号		

A4



Product Service

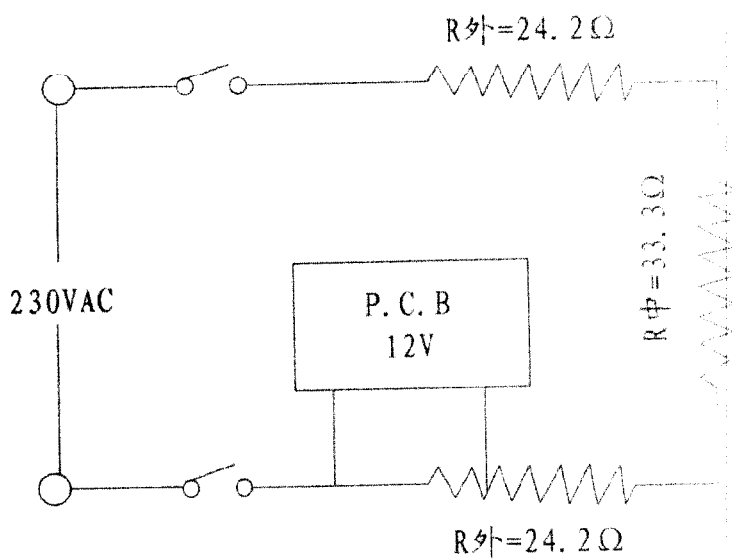


宁波凯波集团有限公司

A4	机种	KT-600E/KT-600F/KT-700		比例	N/A	版次	1.0
	名称	电器原理图		脱模角度		用量	
	制图	吴鑫	时间 03/01/21	材质			
	审核		时间	平均壁厚			
	确认		时间	图号			
				料号			



Product Service



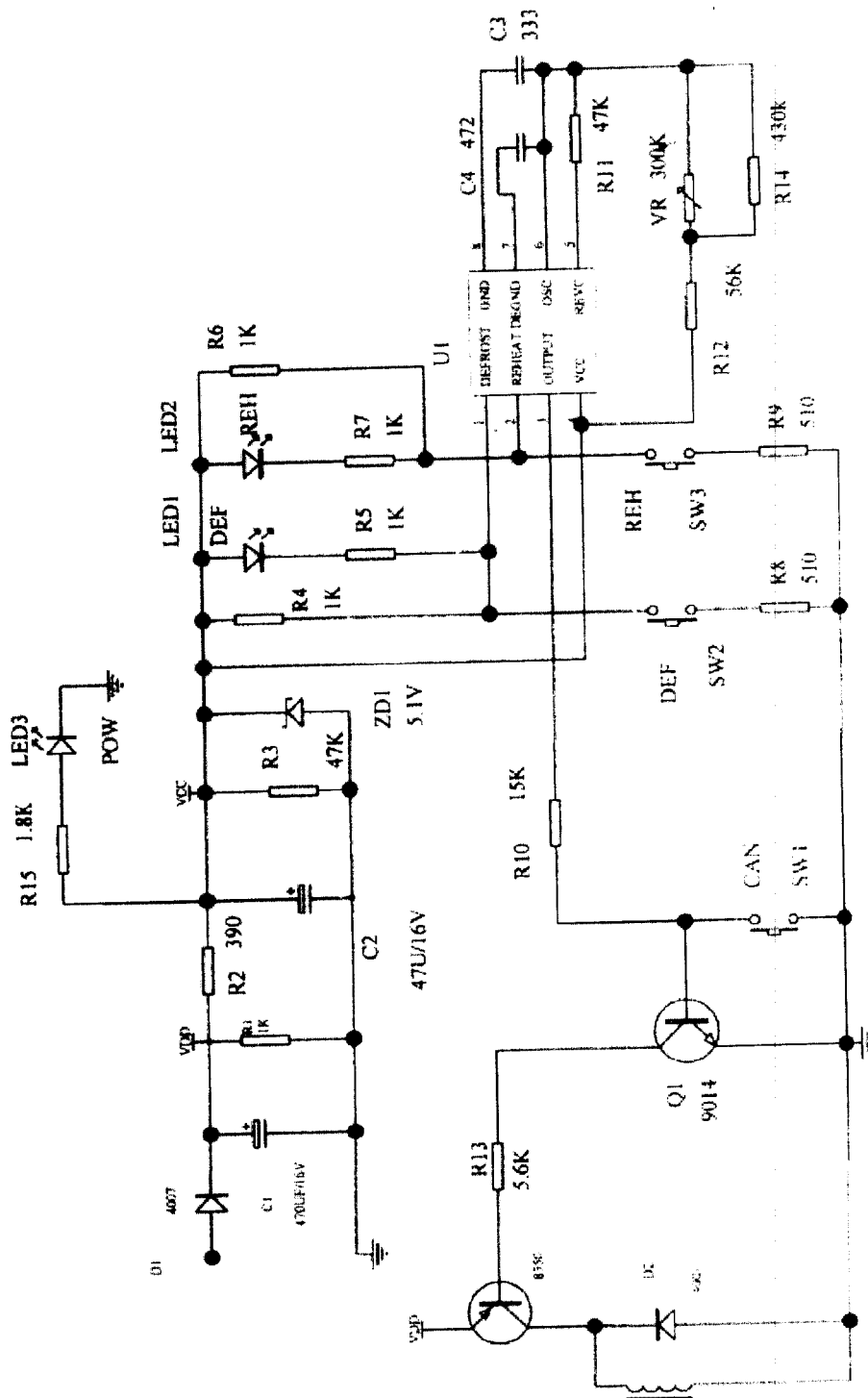
宁波凯波集团有限公司

A4	机种	KT-600G		比例	N/A	版次	01
	名称	电器原理图		脱模角度		用量	
	制图	吴鑫	时间	03/01/21	平均壁厚		
	审核		时间		图号		
	确认		时间		料号		



Product Service

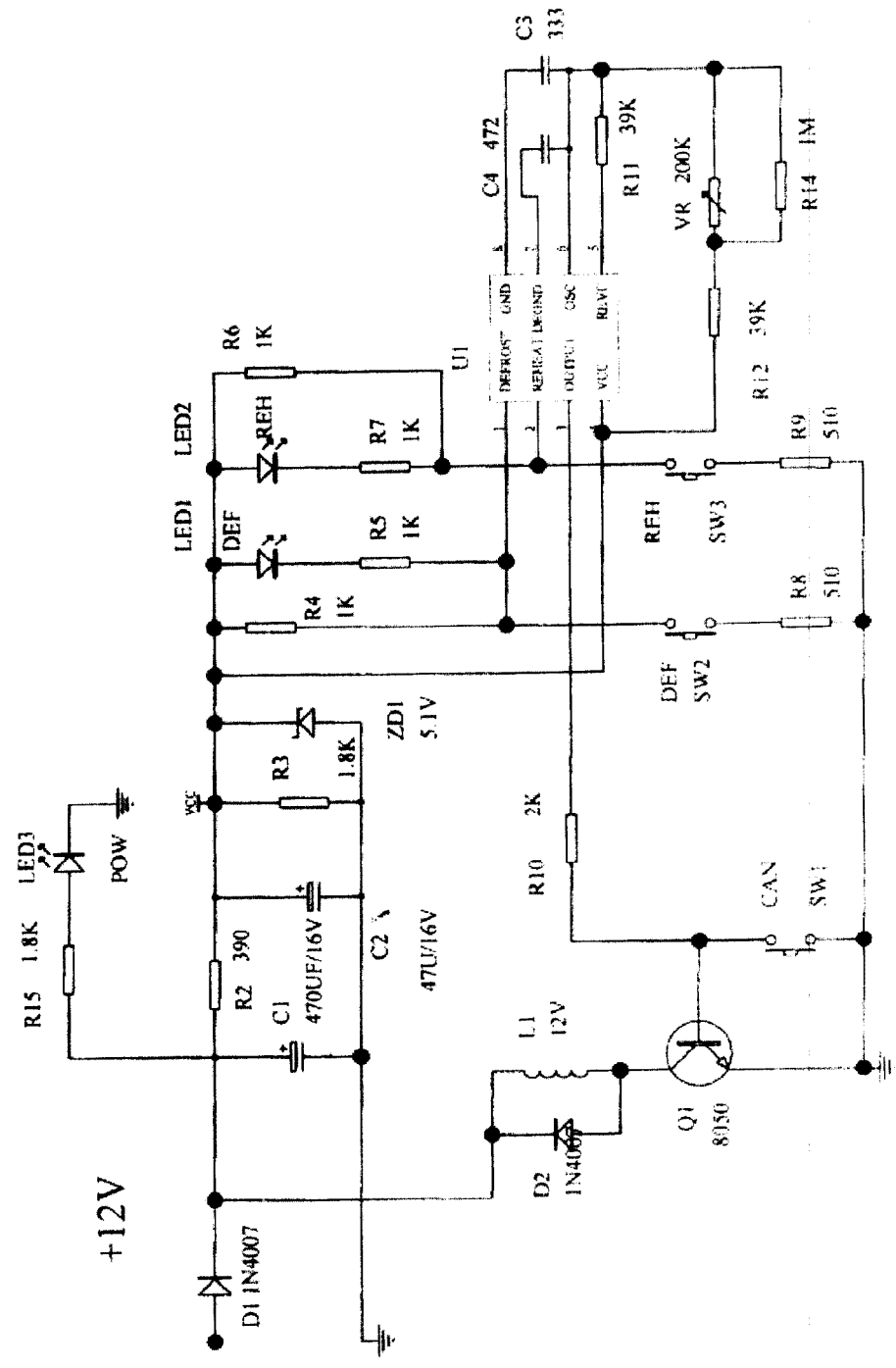
PCB circuit diagram of model KT-700; KT-600; KT-600G; KT-600G2





Product Service

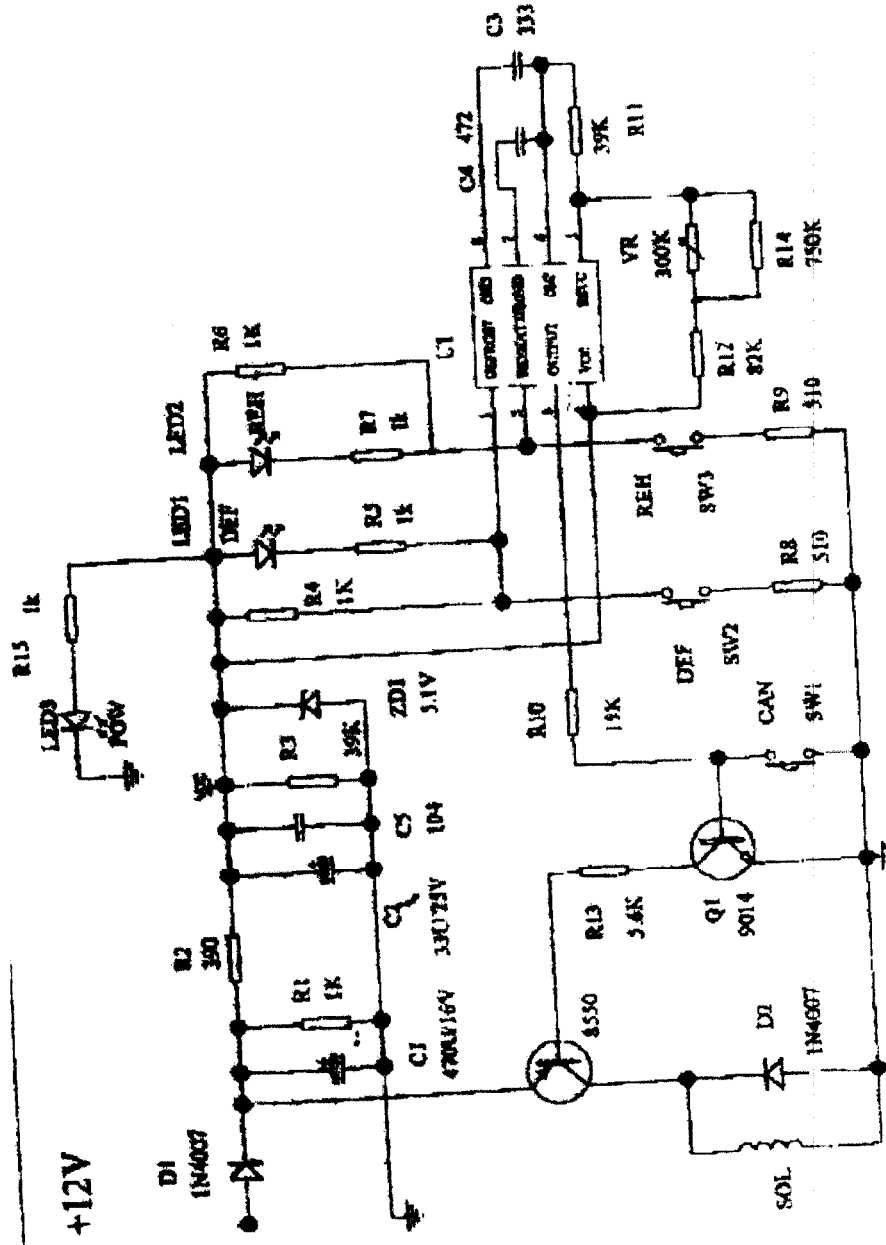
PCB circuit diagram of model KT-600F





Product Service

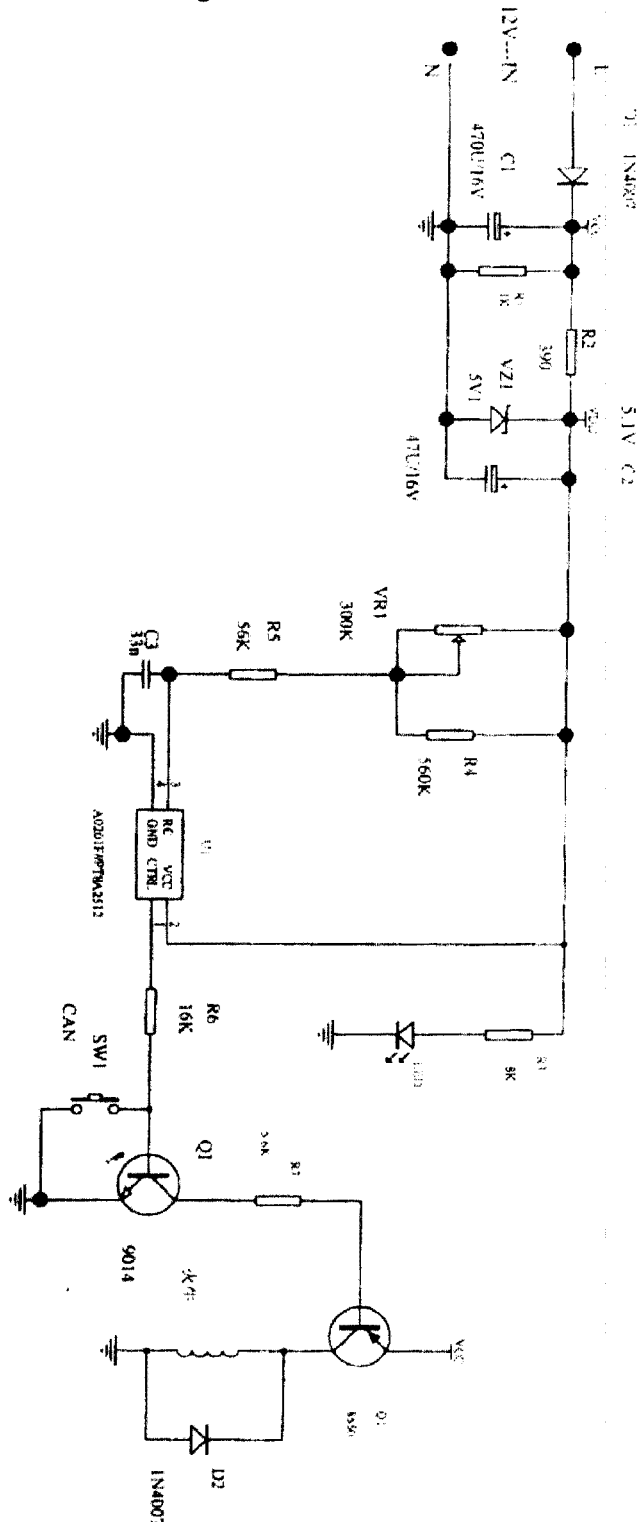
PCB circuit diagram of model KT-600I/4





Product Service

PCB circuit diagram of model KT-600E





Product Service

EMC IMMUNITY TEST REPORT

Project Number : 708880701907-Part 2 Date of Issue: August 20, 2007

Model / Serial No. : KT-600, KT-600G, KT-700, KT-600I/4, KT-600E, KT-600F, KT-600G2

Product Type : Electric toaster

Applicant : Ningbo Kaibo Group Co., Ltd.

Manufacturer : Ningbo Kaibo Group Co., Ltd.

License holder : Ningbo Kaibo Group Co., Ltd.

Address : The Northern Industrial Park of Zhouxiang , Cixi, Zhejiang 315324
: People's Republic of China

Test Result : Positive Negative

Total pages including
Appendices



Jiangsu TÜV Product Service Ltd. Shanghai Branch is a subsidiary of TÜV Product Service, GmbH according to the principles outlined in ISO/IEC Guide 25 and EN 45001.

JIANGSU TÜV PRODUCT SERVICE LTD. SHANGHAI BRANCH reports apply only to the specific samples tested under stated test conditions. Construction of the actual test samples has been documented. It is the manufacturer's responsibility to assure that additional production units of this model are manufactured with identical electrical and mechanical components. The manufacturer/importer is responsible to the Competent Authorities in Europe for any modifications made to the production units which result in non-compliance to the relevant regulations. Jiangsu TÜV Product Service Ltd. Shanghai Branch shall have no liability for any deductions, inferences or generalizations drawn by the client or others from Jiangsu TÜV Product Service Ltd. Shanghai Branch issued reports.

This report is the confidential property of the client. As a mutual protection to our clients, the public and ourselves, extracts from the test report shall not be reproduced except in full without our written approval.