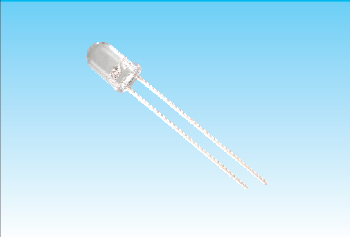
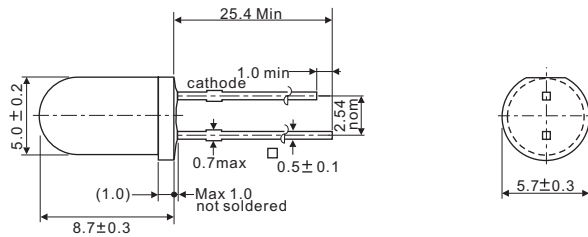



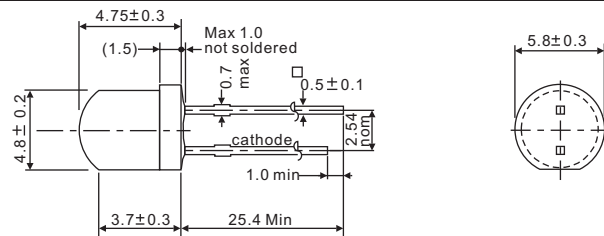
High Power Infrared Emitters

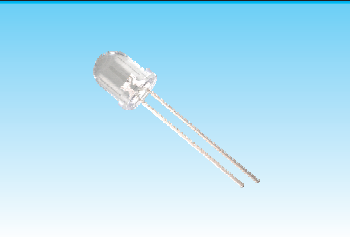
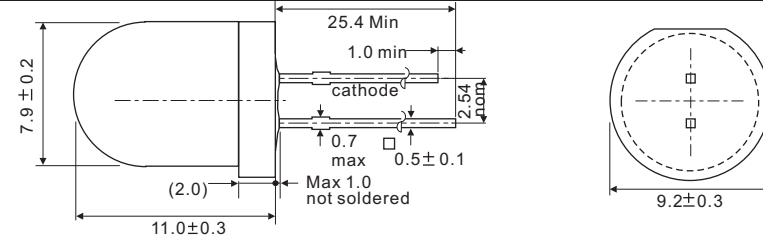


Ta=25°C

Device No	Wavelength	Lens Color	Forward Voltage		Radiant Output Power (mw/sr)			View Angle 2θ1/2
	λp(nm)		Typ(V)	IF(mA)	Minimum	Typical	IF(mA)	

φ 5									UNIT:mm
			Water clear	1.7	150	220	420	150	12
						180	360		18
						150	300		35
						90	180		50
HIRB5-43L1-A	850								
HIRB5-43L1-B	850								
HIRB5-43L1-C	850								
HIRB5-43L1-D	850								

φ 5									UNIT:mm
			Water clear	1.7	150	40	80	150	70
	HIRB5G-43L1	850							

φ 8									UNIT:mm
			Water clear	1.7	150	200	400	150	24
			Water clear	1.7	150	100	200	150	40
	HIRB8b-43L1-A	850							
	HIRB8b-43L1-B	850							