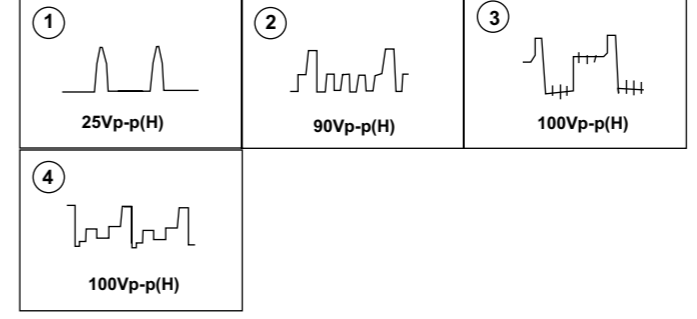


J1
(AUDIO CONTROL
AV INPUT, Y/C INPUT,
SCART VIDEO OUT,
EAST-WEST CORRECTION)

J1 BOARD MARK

	25 INCH	29 INCH
*1 R1520	470k	390k
*2 R1550	JW15	1 1W

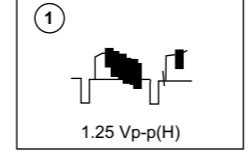
C BOARD WAVEFORMS



C BOARD *MARK

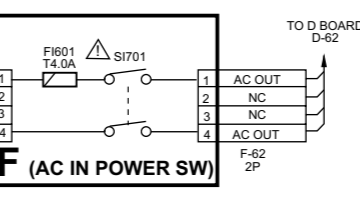
	25 INCH	29 INCH
*1 C703	270p	330p
*2 C705	220p	270p
*3 C712	270p	330p
*4 R737	820k	470k

A BOARD WAVEFORM



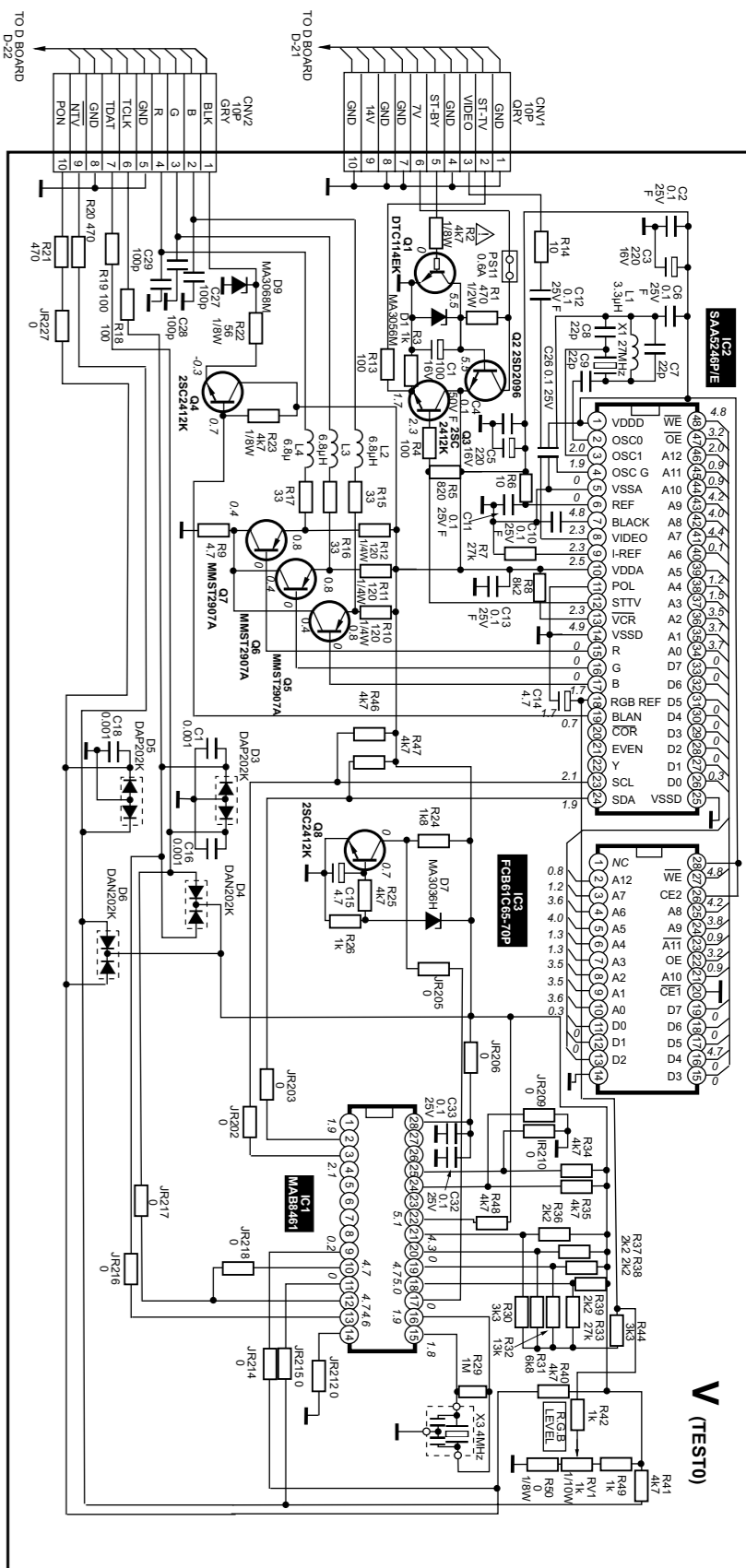
A BOARD

Q103	PCF8574	EXPANDER
Q113	2SC2412K	AUDIO AMP
Q114	2SC2412K	AUDIO AMP
Q115	2SC2412K	AUDIO AMP
Q116	2SC2412K	AUDIO AMP
Q125	DTC144ES	MUTE SW
Q126	DTC144EK	MUTE SW
Q181	2SC2412K	NICAM BUFFER

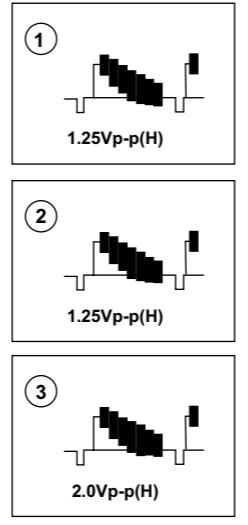


V BOARD

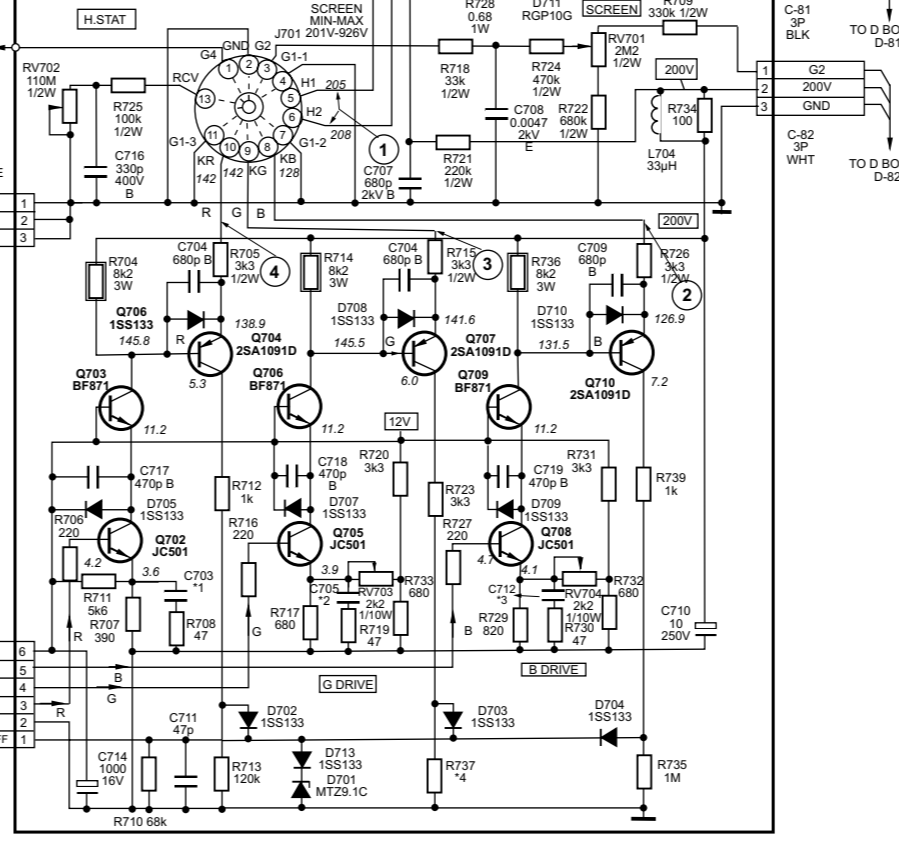
IC1	MA884E1	MICRO-CONT
IC2	SA45246PE	IVT
IC3	FC8B1C8S-70P	STATIC-RAM
IC4	DTC114EK	STAND BY
Q2	2SD2096	5V REG
Q3	2SC2412K	SYNC BUFFER
Q4	2SC2412K	BLK OUT
Q5	MM52907A	B OUT
Q6	MM52907A	G OUT
Q7	MM52907A	R OUT
Q8	2SC2412K	RESET
D1	MA3096M	5V REG
D3	DAP202K	PROTEC
D4	DAN202K	PROTEC
D5	DAP202K	PROTEC
D6	DAN202K	PROTEC
D7	MA3096M	PROTEC
D9	MA3096M	PROTEC



J1 BOARD WAVEFORMS



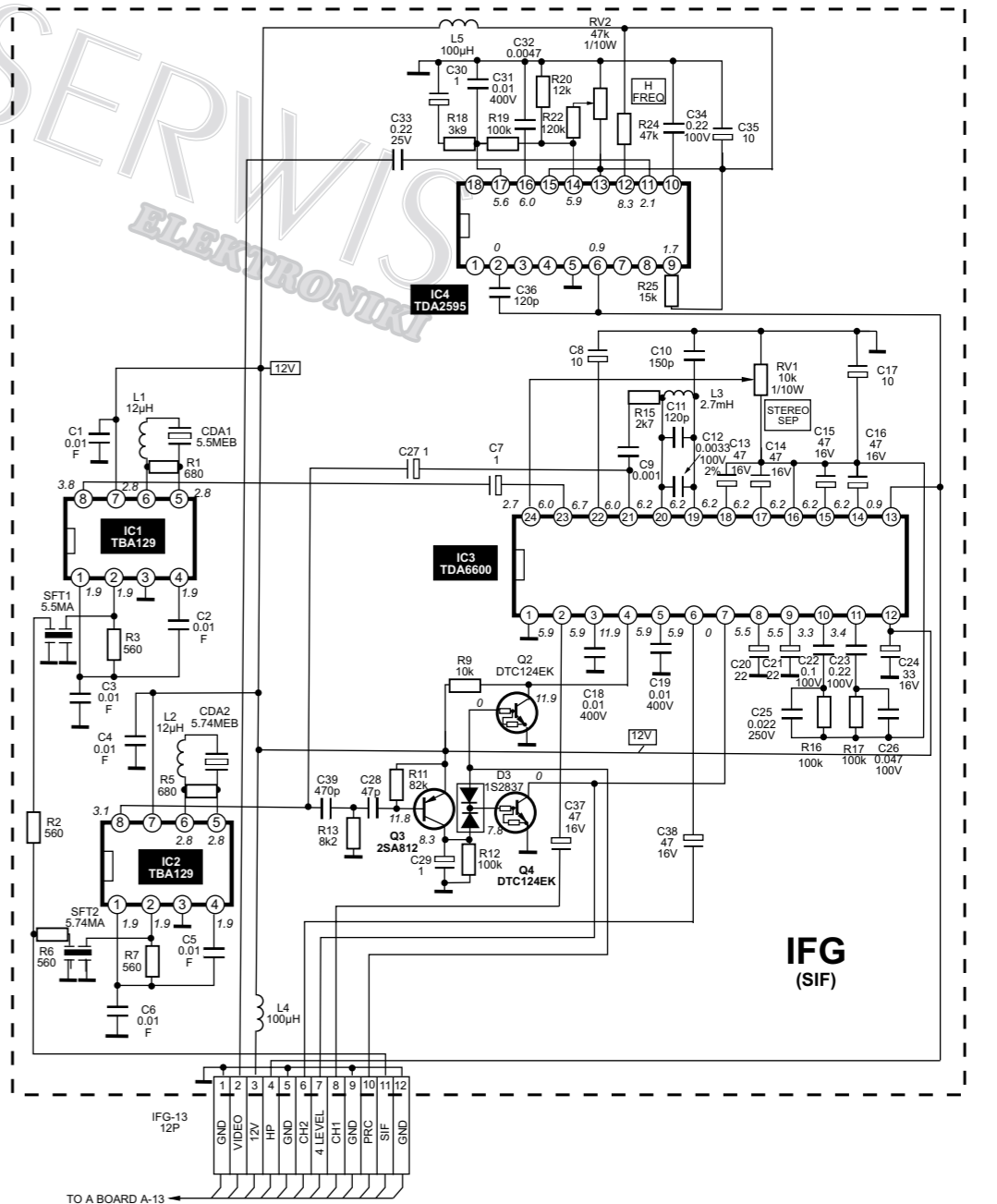
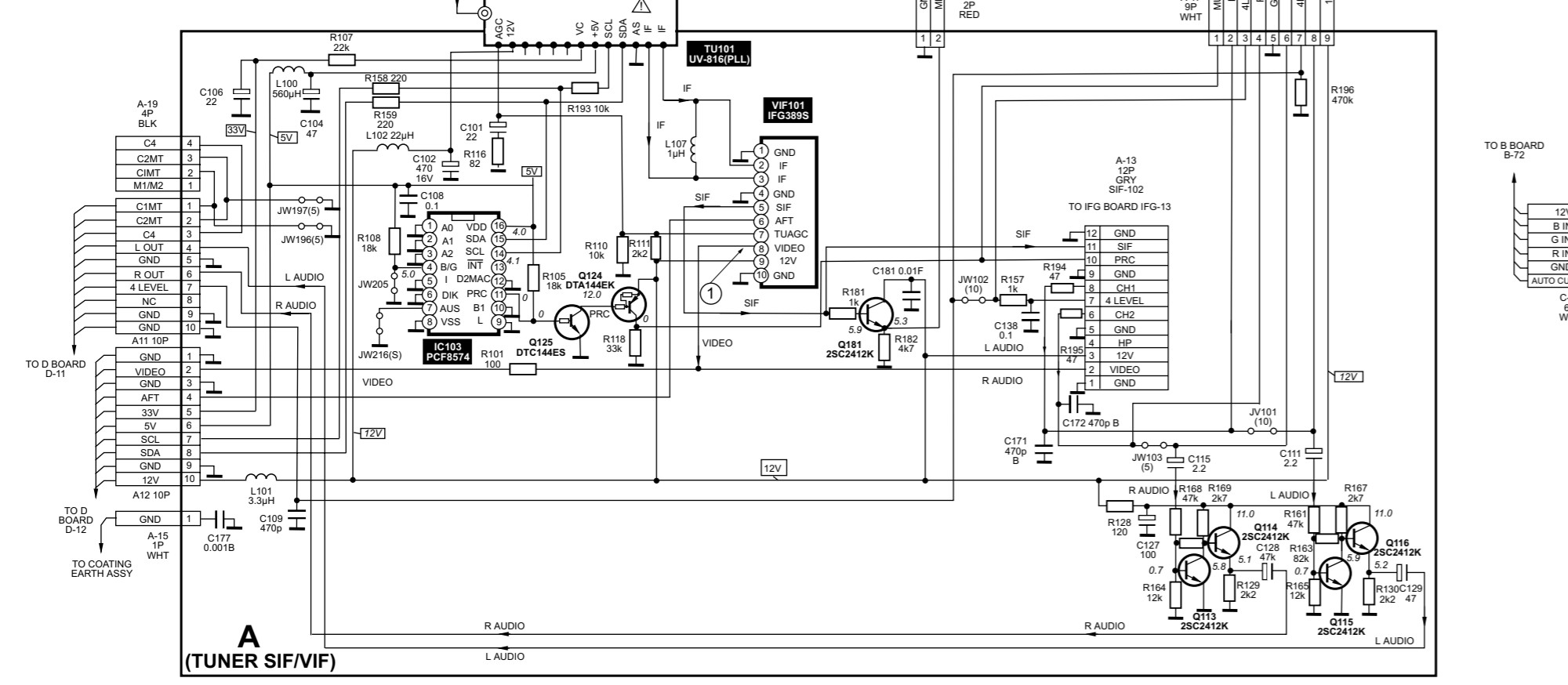
C (R.G.B. OUT)



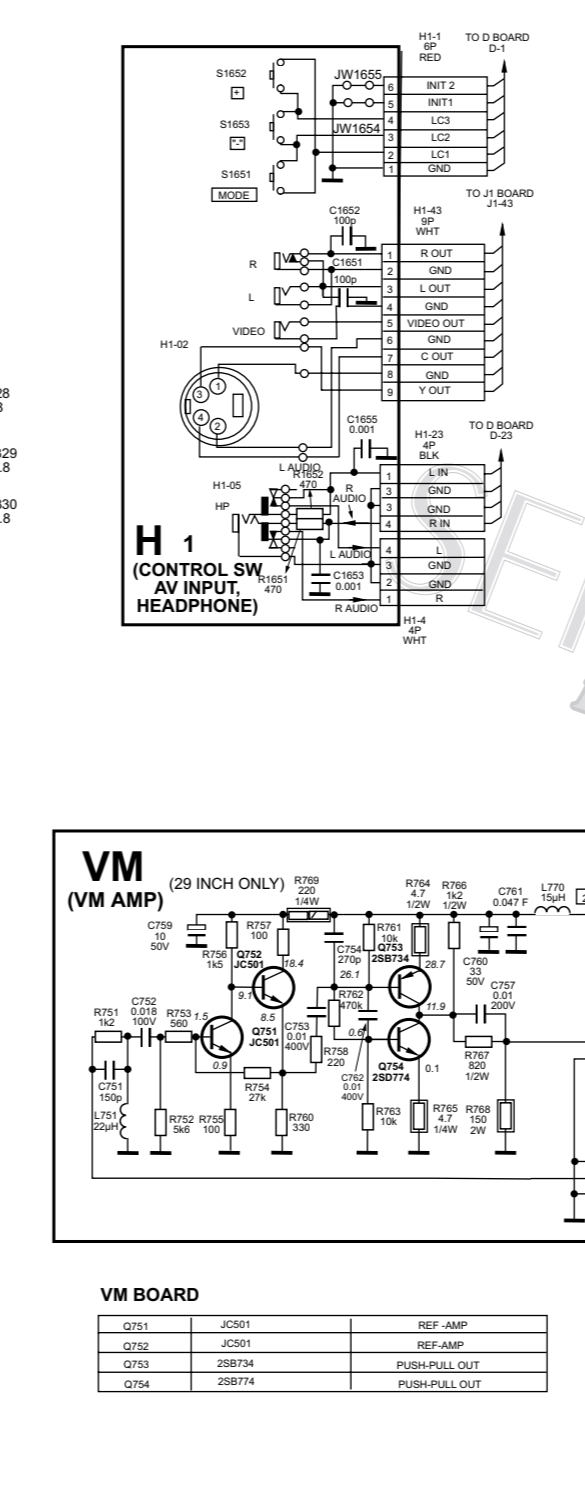
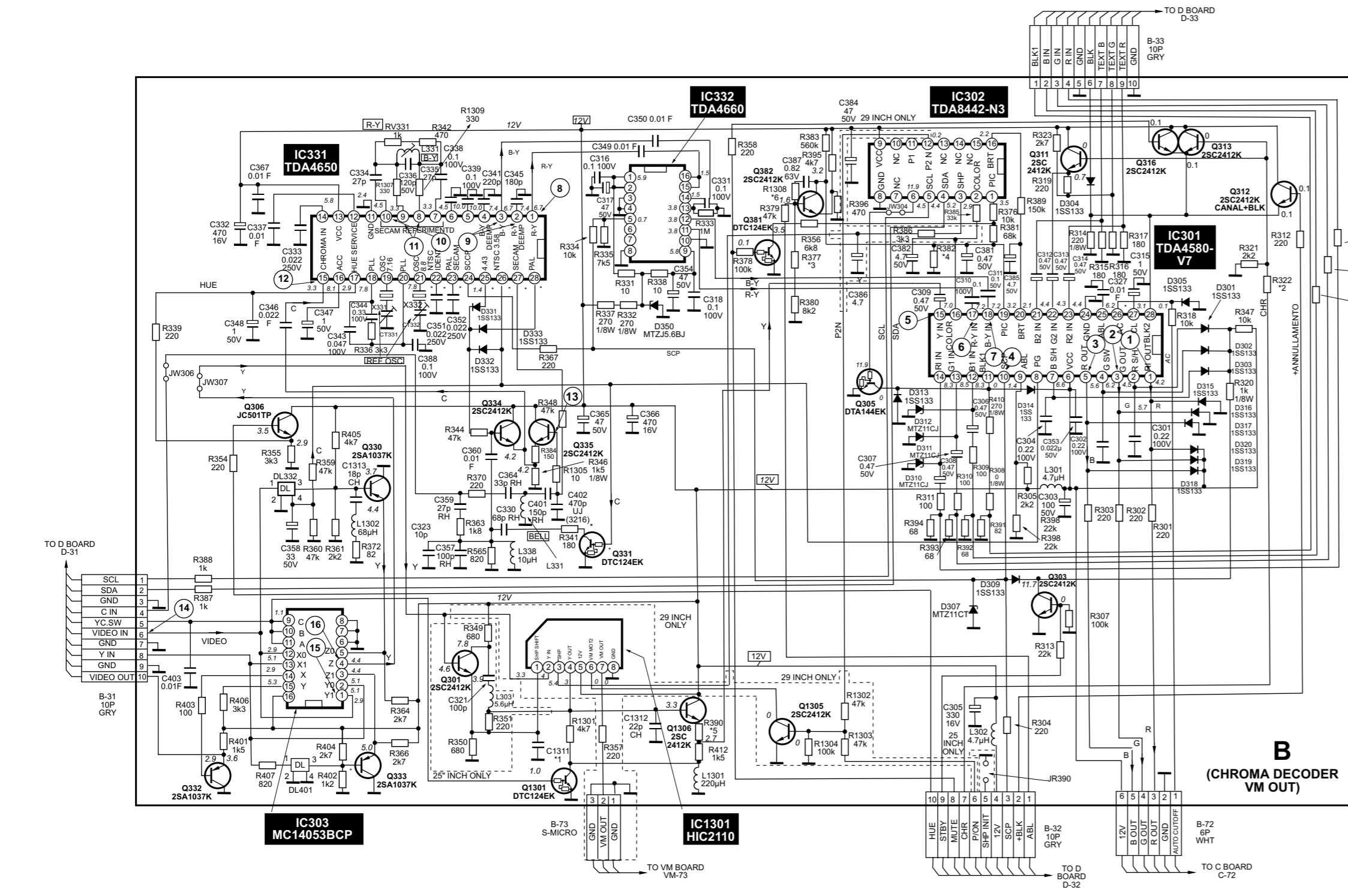
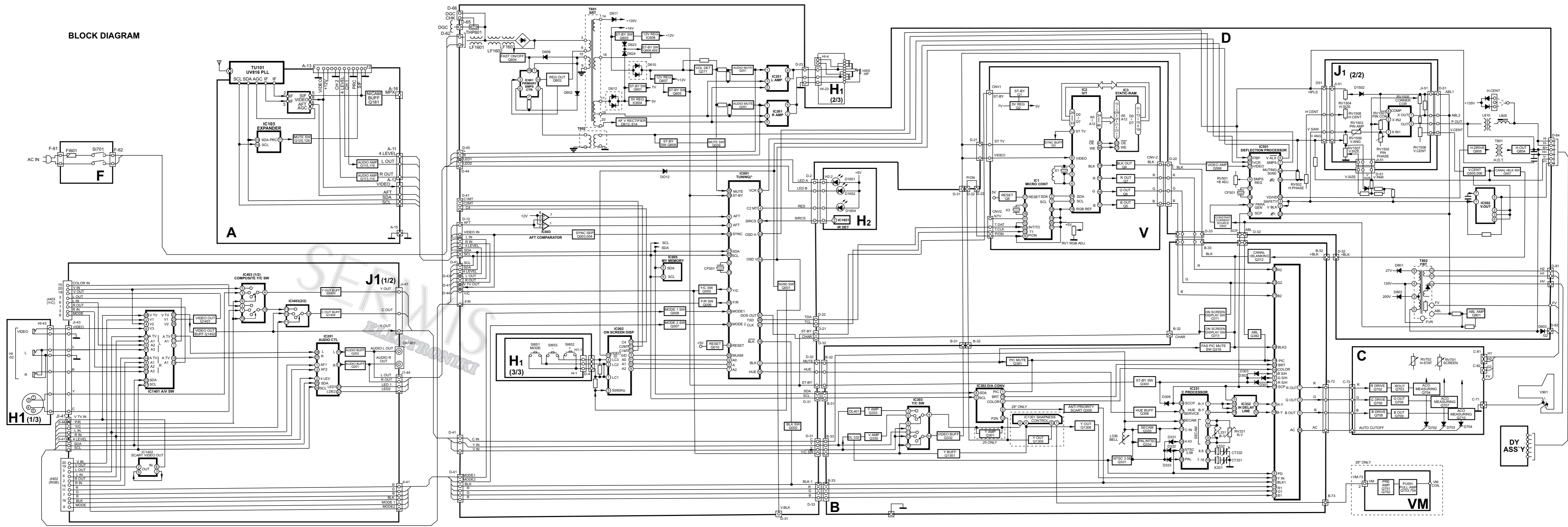
C BOARD

Q702	JC501	R DRIVE
Q703	BF871	R OUT
Q704	2SA10910	ACD MEASURING
Q705	JC501	G DRIVE
Q706	BF871	G OUT
Q707	2SA10910	ACD MEASURING
Q708	JC501	B DRIVE
Q709	BF871	B OUT
Q710	2SA10910	ACD MEASURING
D701	MTZJ8.1C	PROTECT
D702	1SS133	PROTECT
D703	1SS133	PROTECT
D704	1SS133	PROTECT
D705	1SS133	PROTECT
D706	1SS133	PROTECT
D707	1SS133	PROTECT
D708	1SS133	PROTECT
D709	1SS133	PROTECT
D710	1SS133	PROTECT
D711	RGP190	HEATING VOLTAGE REC
D713	1SS133	PROTECT

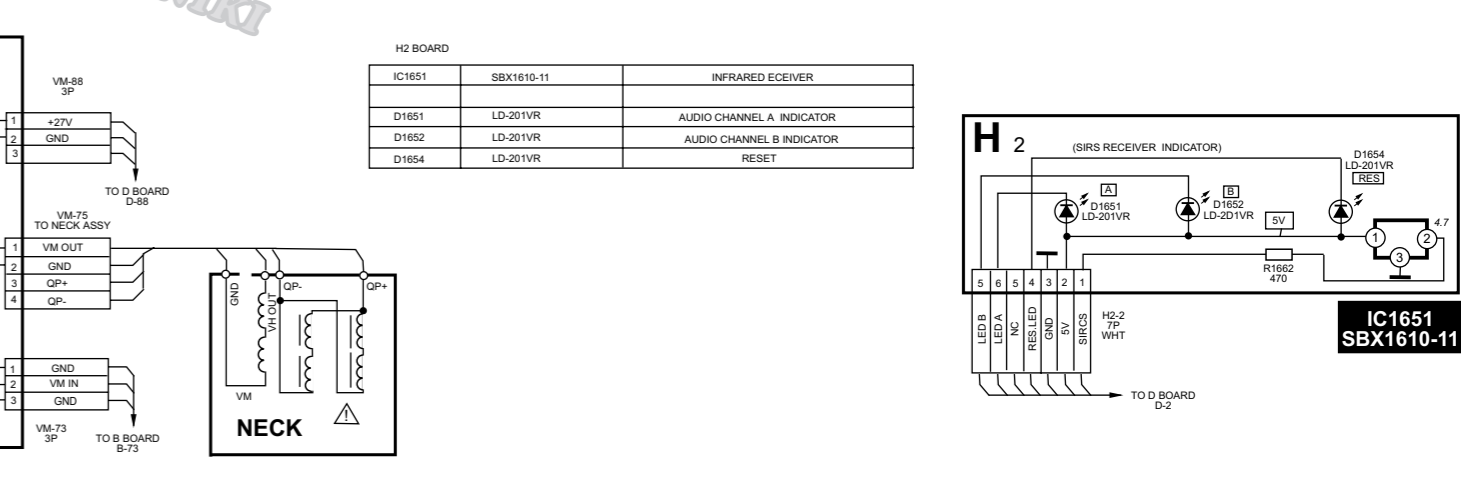
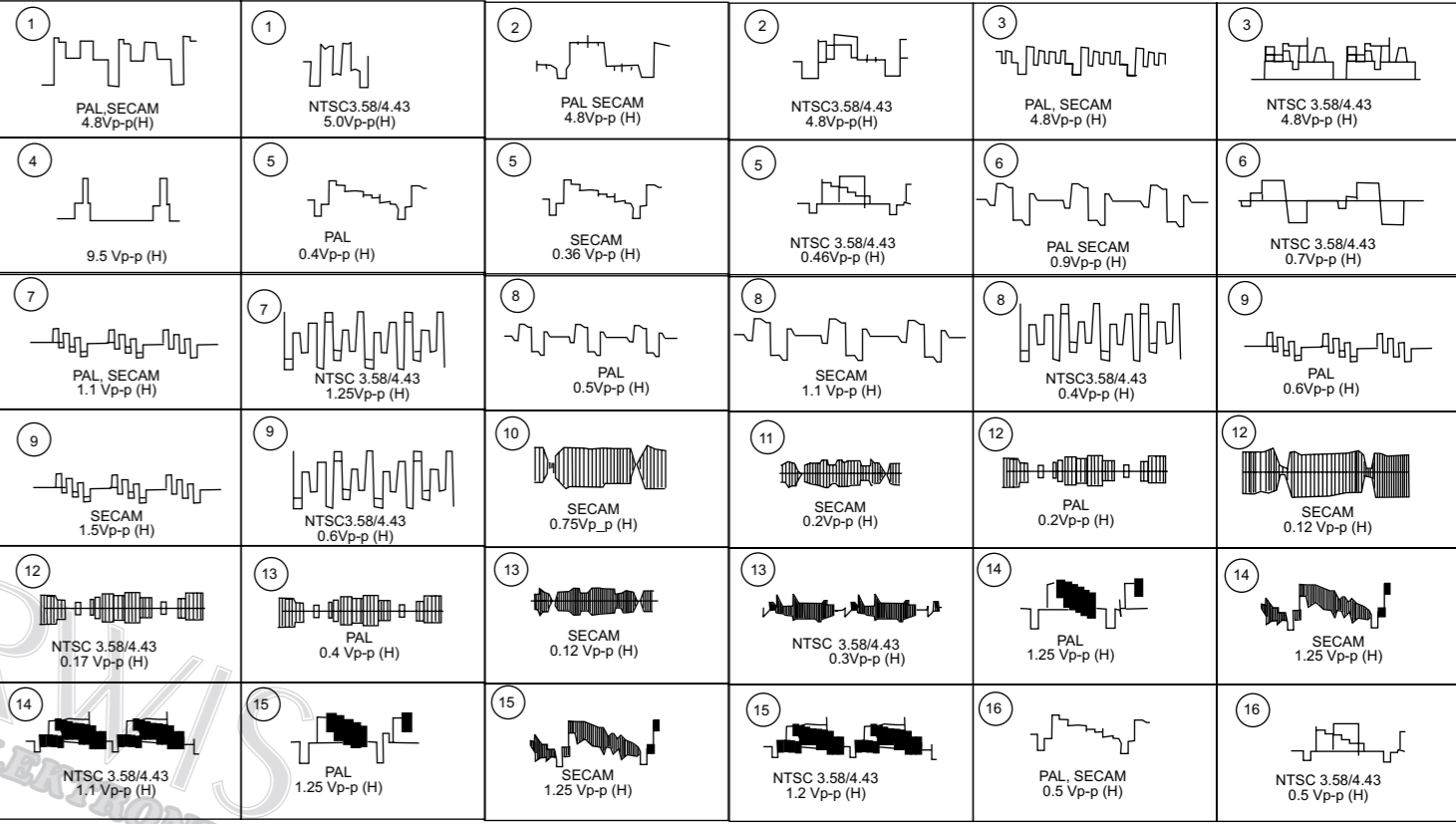
A (TUNER SIF/VIF)



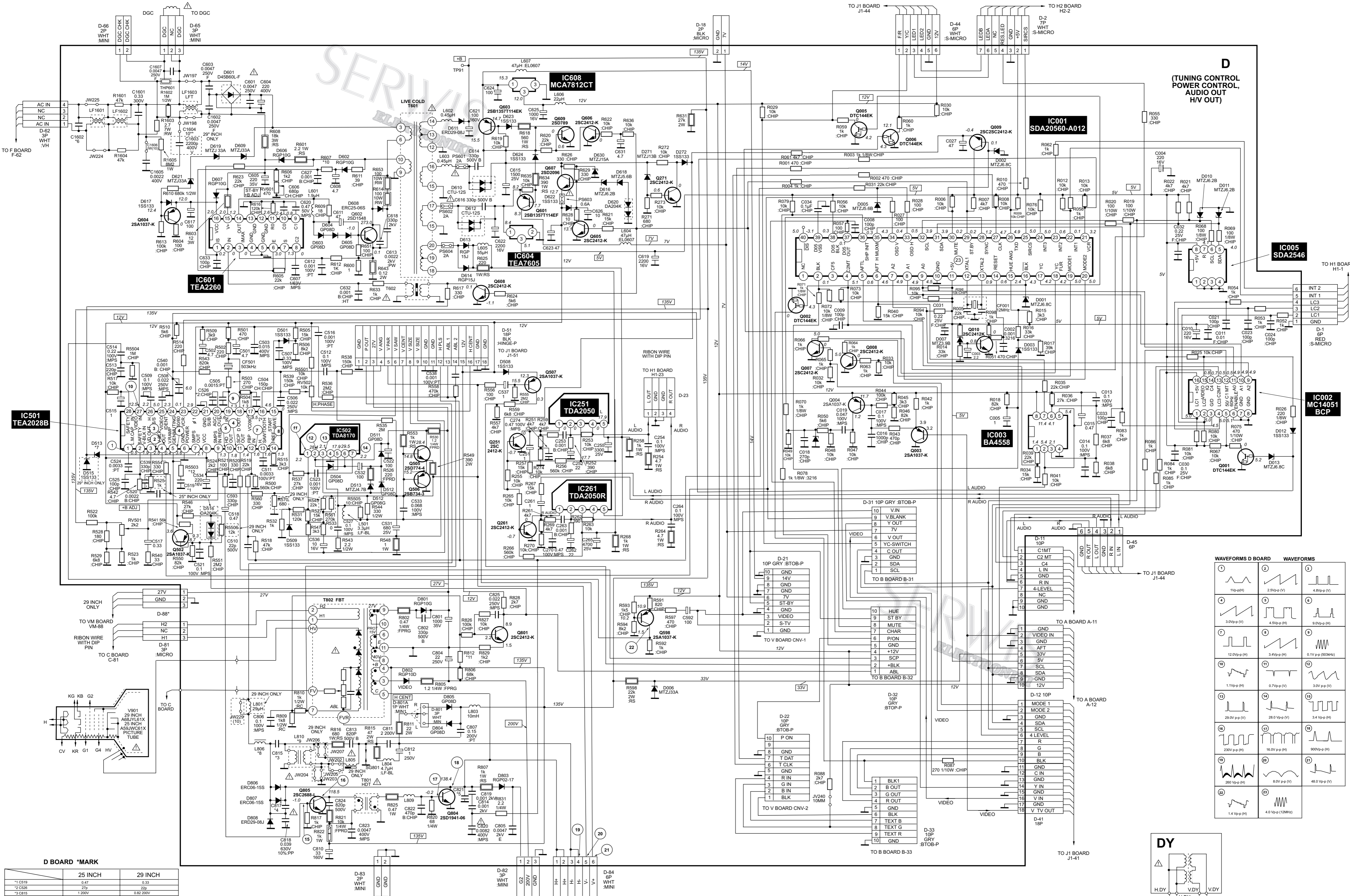
BLOCK DIAGRAM



WAVEFORMS B BOARD

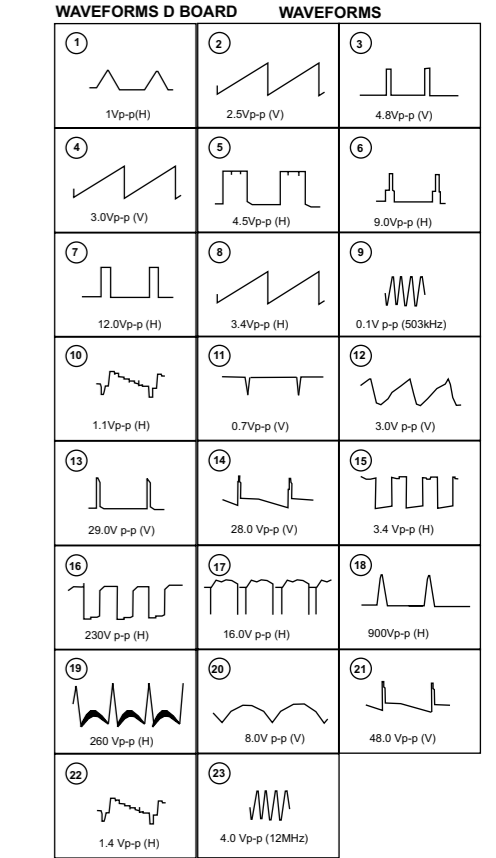


OTVC Sony KV-X2551D, KV-X2951D chassis AE-1C (strona 2/3)



D BOARD *MARK

	25 INCH	29 INCH
*1 C519	0.47	0.33
*2 C528	27p	22p
*3 C815	1.200V	0.82 200V
*4 C817	0.015 14kV	0.017 14kV
*5 C821	680 2kV	470p 2kV
*6 C1802	0.47 300V	0.47 METALIZED FILM
*7 D514	JW (5)	1SS133
*8 L806	DRAM CORE (CD1)	HCC DUST CORE 3.9uH
*9 L810	PMC	PT
*10 R807	4.7	8.6
*11 R812	68 1/2W	51K 1/2W
*12 R5503	4.7	10



OTVC Sony KV-X2551D, KV-X2951D chassis AE-1C (strona 3/3)