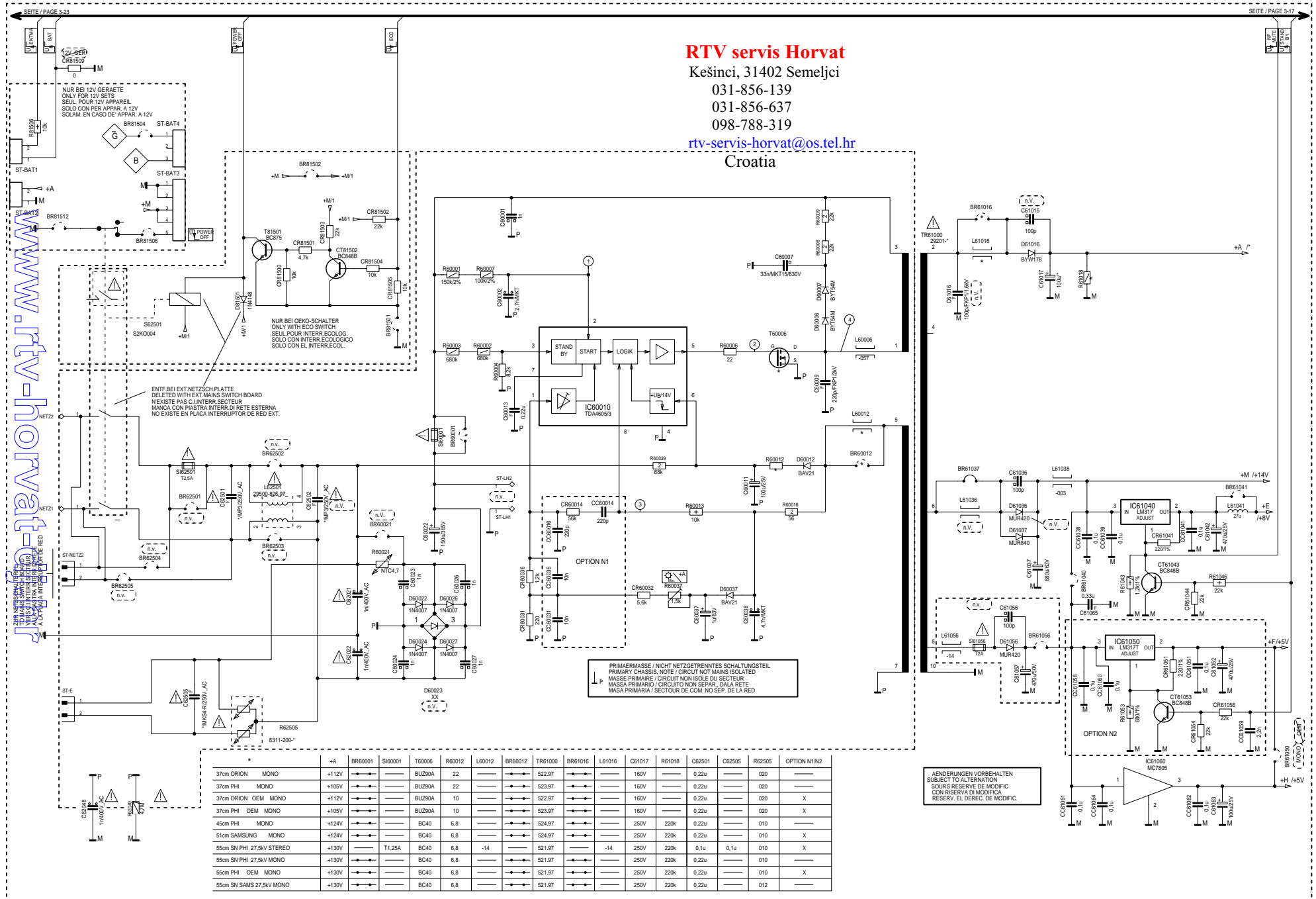


Teilschaltplan Netzteil / Circuit Diagram Mains Section



RTV servis Horvat
 Kešinci, 31402 Semeljci
 031-856-139
 031-856-637
 098-788-319
rtv-servis-horvat@os.tel.hr
 Croatia

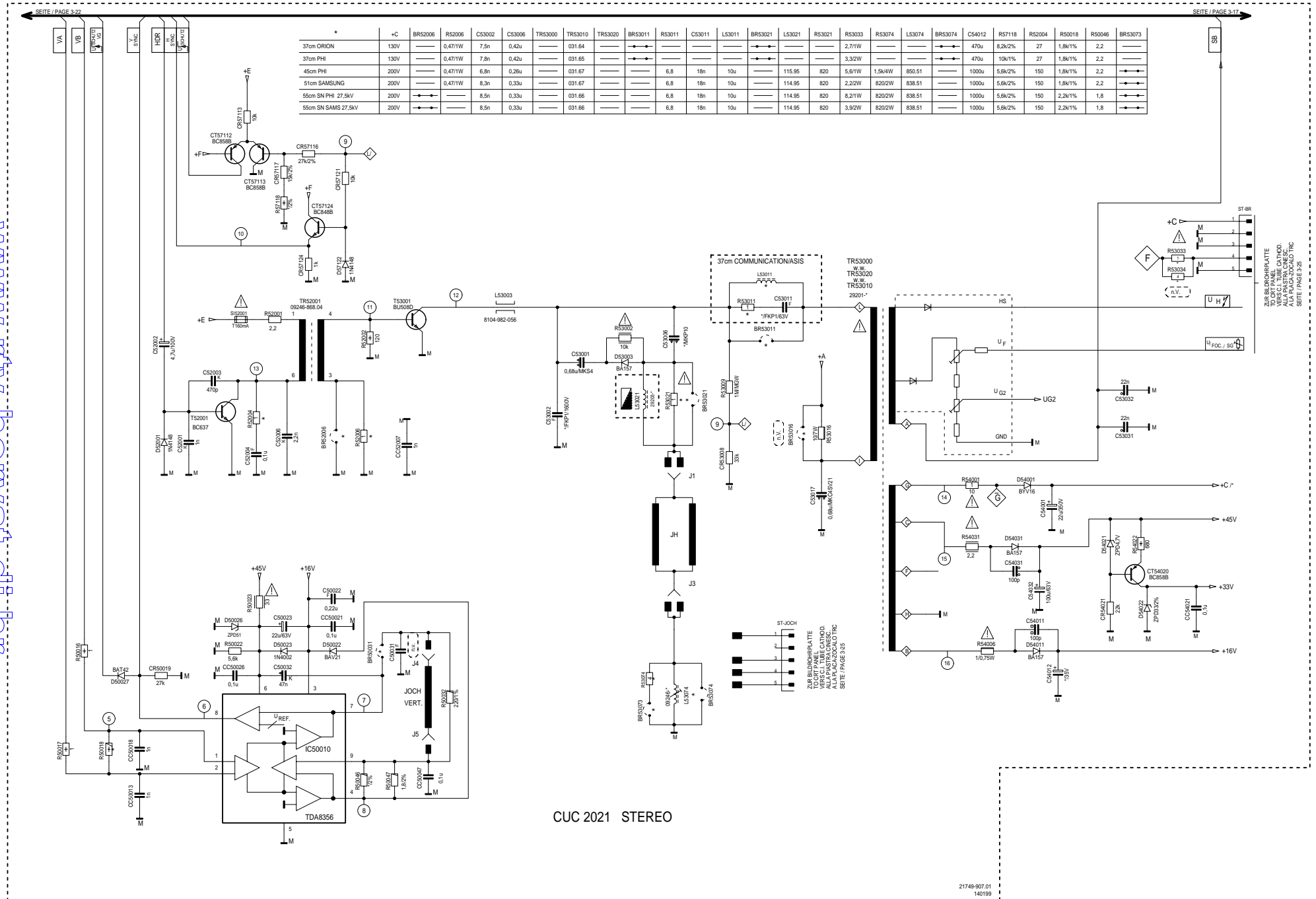
www.rtv-horvat.hr

	+A	BR6001	SI6001	T6006	R60012	L60012	BR60012	TR61000	BR61016	L61016	C61017	R61018	C62501	C62505	R62505	OPTION N1/N2
37cm ORION MONO	+112V	→	→	BUZ90A	22	→	→	522.97	→	→	160V	→	0.22u	→	020	→
37cm PHI MONO	+105V	→	→	BUZ90A	22	→	→	523.97	→	→	160V	→	0.22u	→	020	→
37cm ORION OEM MONO	+112V	→	→	BUZ90A	10	→	→	522.97	→	→	160V	→	0.22u	→	020	X
37cm PHI OEM MONO	+105V	→	→	BUZ90A	10	→	→	523.97	→	→	160V	→	0.22u	→	020	X
45cm PHI MONO	+124V	→	→	BC40	6.8	→	→	524.97	→	→	250V	220k	0.22u	→	010	→
51cm SAMSUNG MONO	+124V	→	→	BC40	6.8	→	→	524.97	→	→	250V	220k	0.22u	→	010	X
55cm SN PHI 27.5kV STEREO	+130V	→	→	T1.25A	BC40	6.8	-14	521.97	→	-14	250V	220k	0.1u	0.1u	010	X
55cm SN PHI 27.5kV MONO	+130V	→	→	BC40	6.8	→	→	521.97	→	→	250V	220k	0.22u	→	010	→
55cm PHI OEM MONO	+130V	→	→	BC40	6.8	→	→	521.97	→	→	250V	220k	0.22u	→	010	X
55cm SN SAMS 27.5kV MONO	+130V	→	→	BC40	6.8	→	→	521.97	→	→	250V	220k	0.22u	→	012	→



Teilschaltplan Ablenkung / Circuit Diagram Deflection Section

www.rtv-horvat-dj.hr



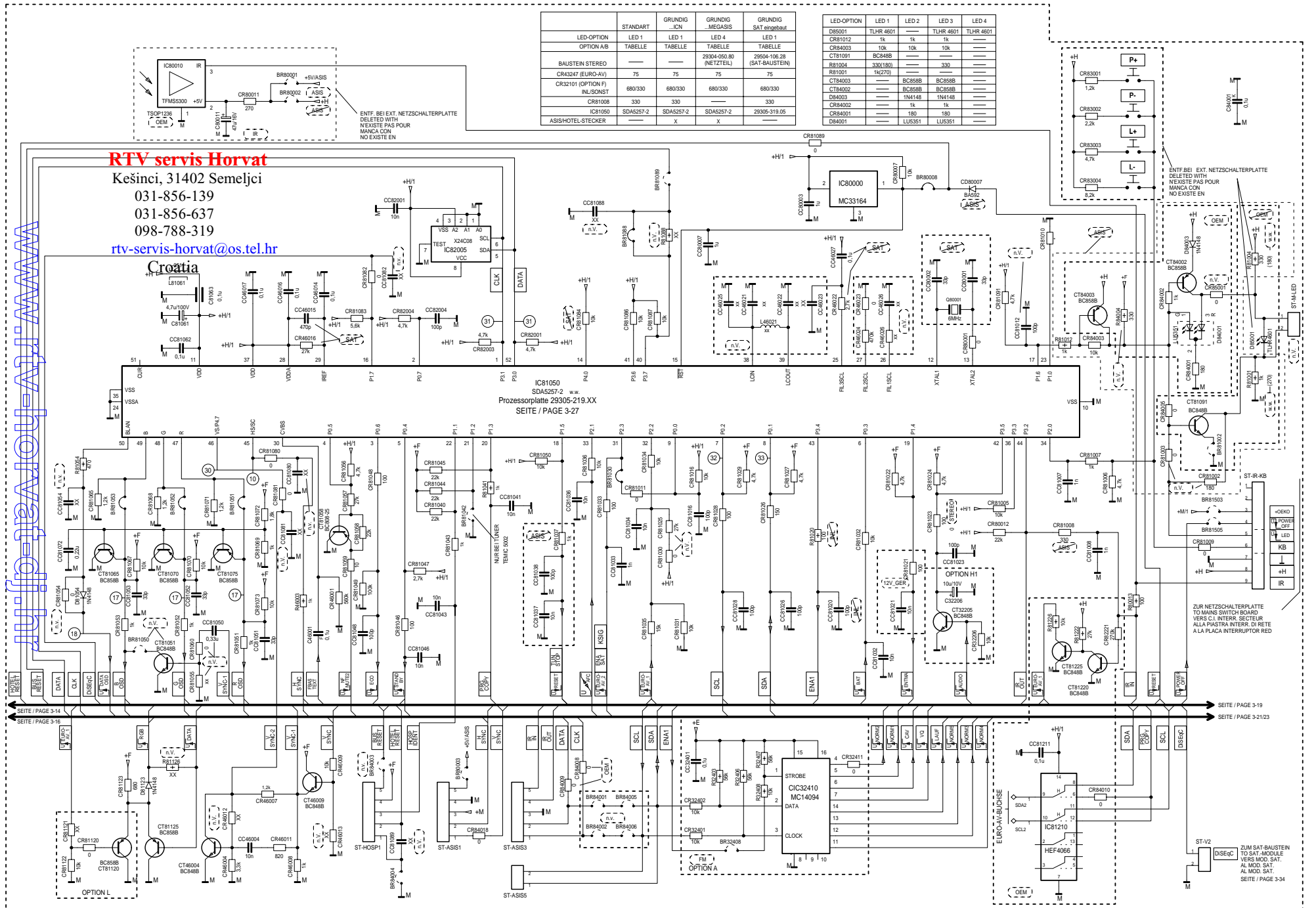
CUC 2021 STEREO

21749-907.01
140199



Teilschaltplan Prozessor / Circuit Diagram Processor Section

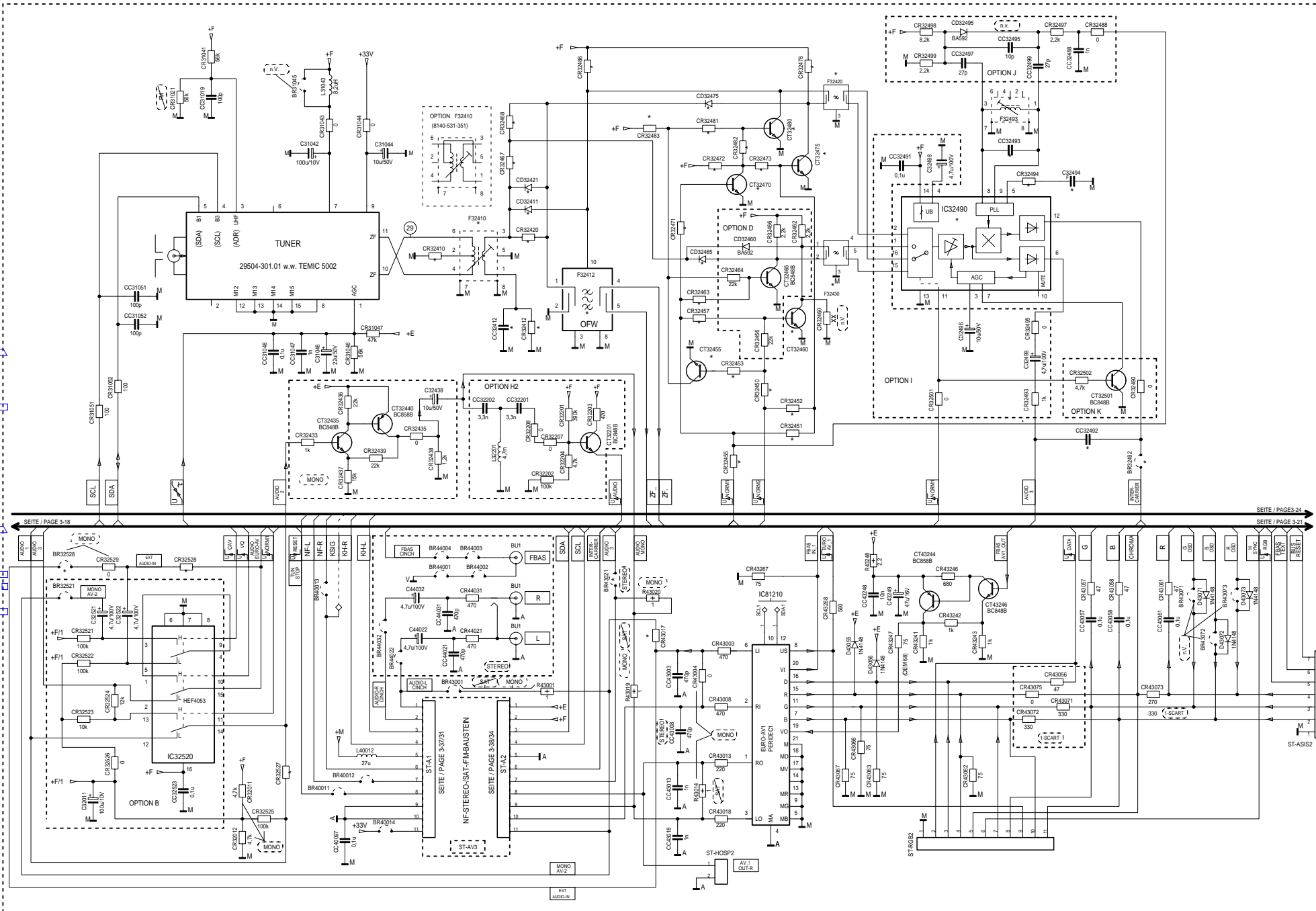
* oder OPTION – siehe Seite 3-23
* or OPTION – see page 3-23



Teilschaltplan Tuner/Buchsen / Circuit Diagram Tuner/Socket Section

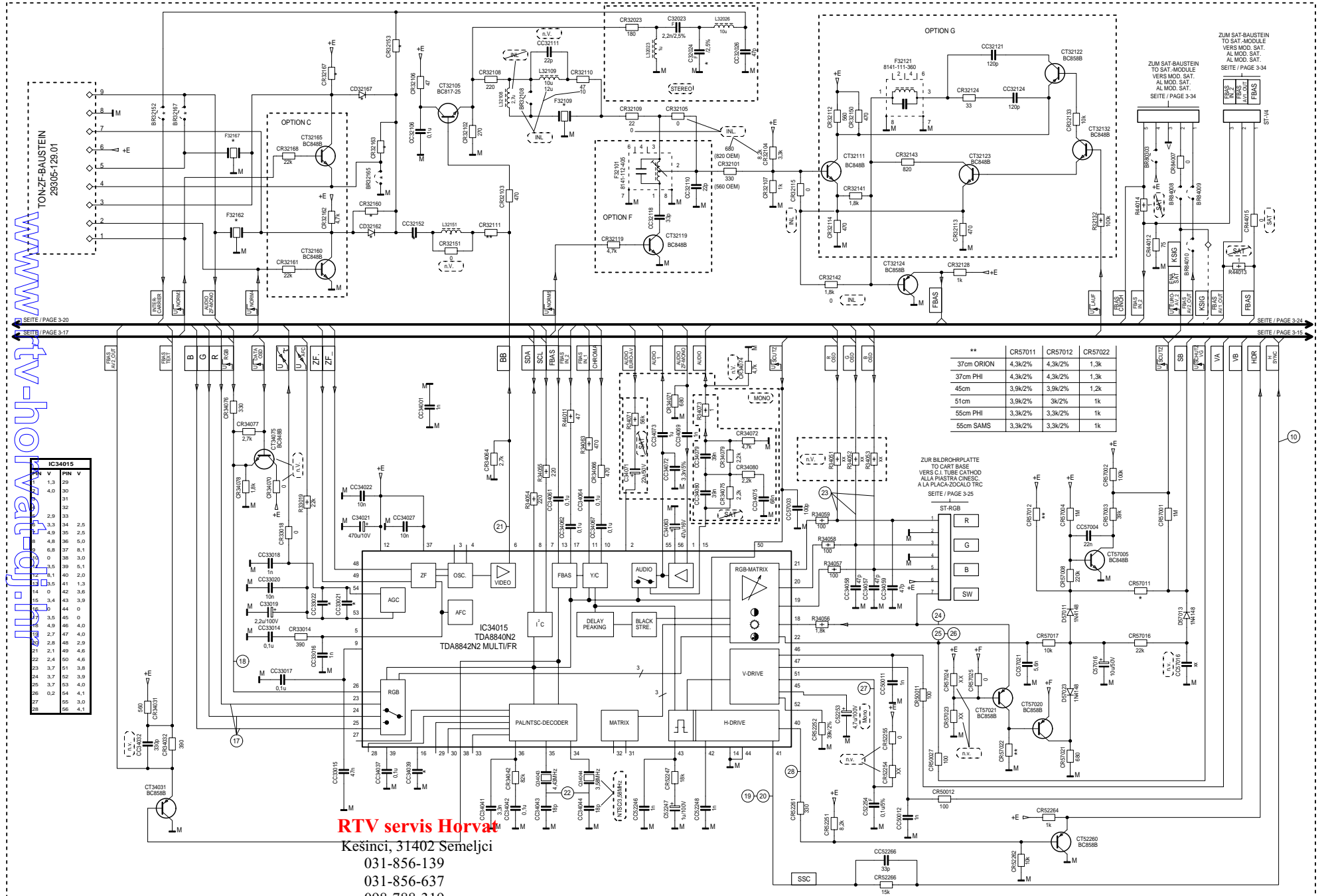
* oder OPTION – siehe Seite 3-23
 * or OPTION – see page 3-23

www.rtv-horvat-dj.hr



Teilschaltplan Video / Circuit Diagram Video Section

* oder OPTION – siehe Seite 3-23
* or OPTION – see page 3-23



RTV servis Horvat
 Kešinci, 31402 Semeljci
 031-856-139
 031-856-637
 098-788-319

rtv-servis-horvat@os.tel.hr

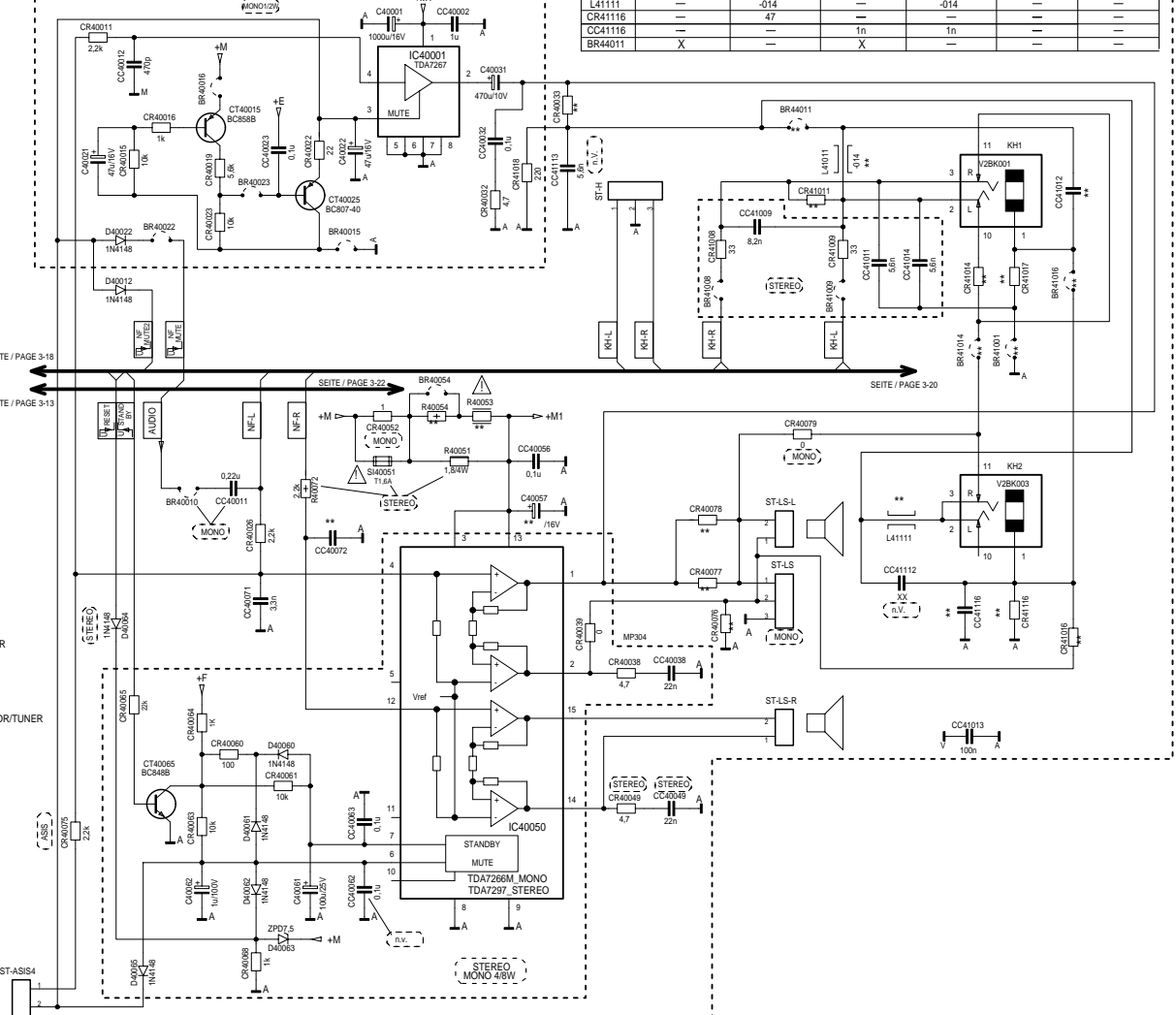
Croatia



Teilschaltplan Audio / Circuit Diagram Audio Section

CUC 2021 STEREO

SAT-NACHRUESTUNG RETROFITTING SAT	R34073	R43014 R43019	R44014 R44013
MONO	1	1	1
MONO SAT	-	-	-
STEREO	-	-	1
STEREO SAT	-	-	-

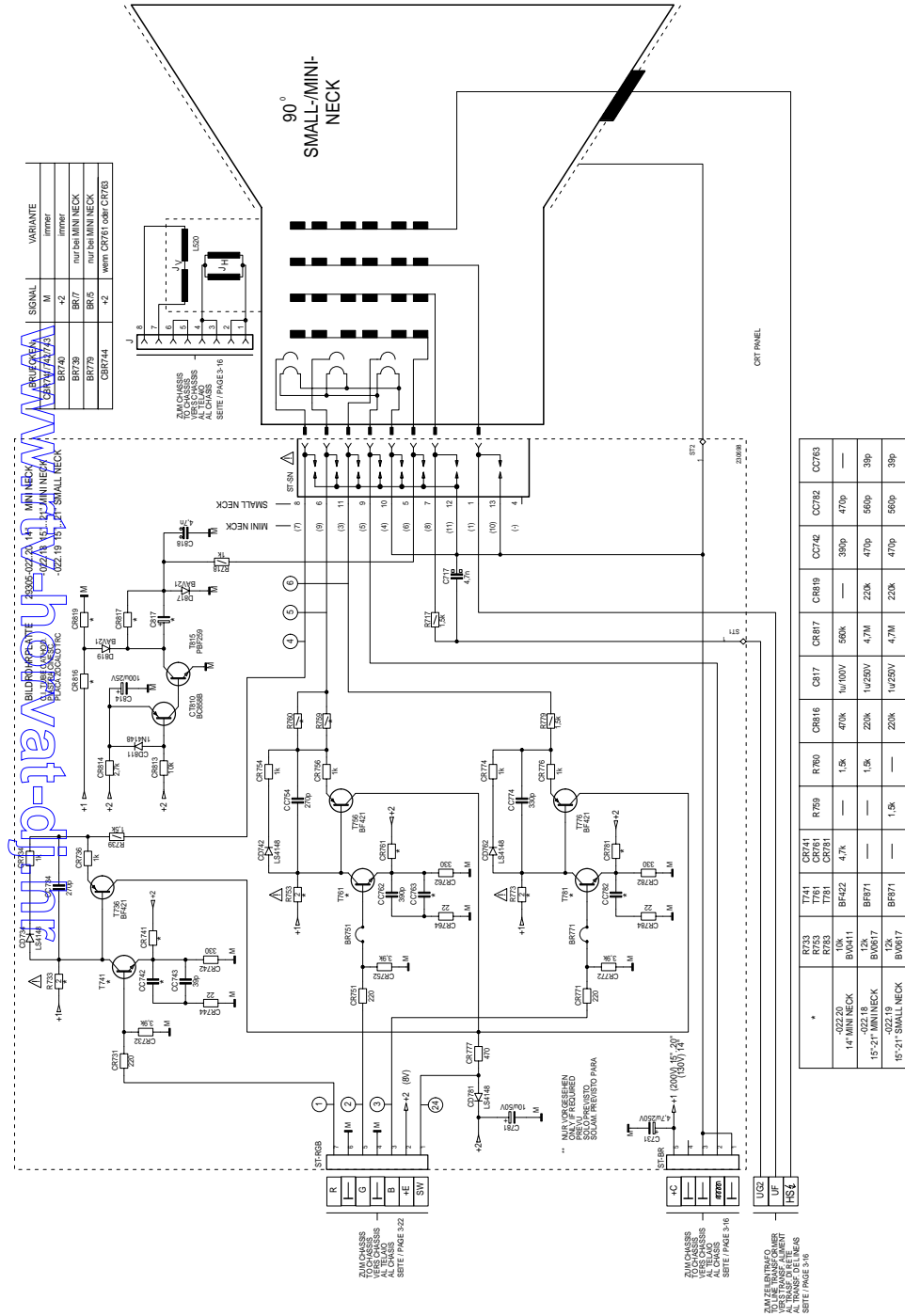


**	MONO 1/2W BUCHSE KH1	MONO 1/2W BUCHSE KH2	MONO 4/8W BUCHSE KH1	MONO 4/8W BUCHSE KH2	STEREO KH1	MONO 4/8W OHNE BUCHSE
CR40033	0	0	0	0	—	—
R40053	4,7	4,7	2,2	2,2	—	—
BR40054	—	—	—	—	—	—
R40054	—	—	1	1	—	1
C40057	—	—	1000u	1000u	2200u	1000u
CC40072	—	—	0,1u	0,1u	3,3n	0,1u
CR40076	0	0	—	—	—	—
CR40077 CR40078	—	—	—	—	—	—
BR41001	X	—	—	—	—	—
L41011	-014	—	-014	—	—	X
CR41011	0	—	—	—	—	—
CC41012	5,6n	—	5,6n	—	—	—
CR41014	0	—	0	—	—	0
BR41016	X	—	270	270	—	—
BR41016	X	—	X	—	—	—
CR41017	47	—	—	—	—	0
L41111	—	-014	—	-014	—	—
CR41116	—	47	—	—	—	—
CC41116	—	—	1n	1n	—	—
BR44011	X	—	X	—	—	—

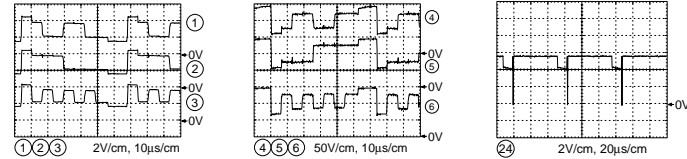
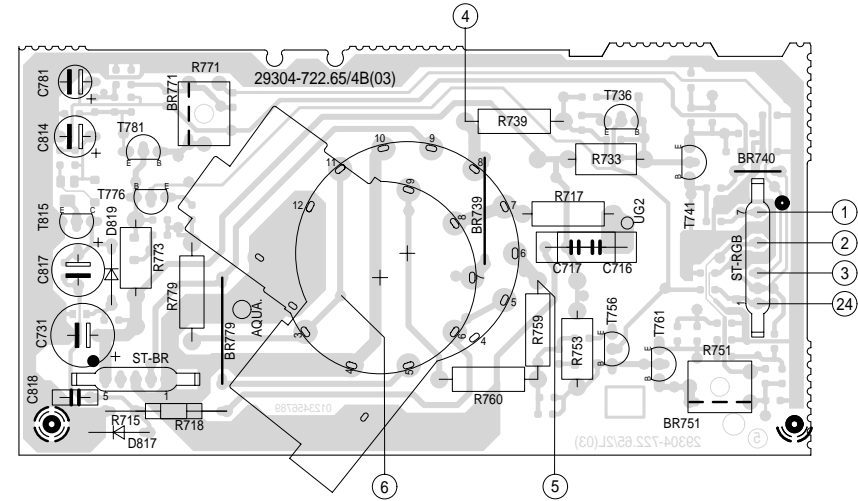
www.rtv-horvat-dj.hr



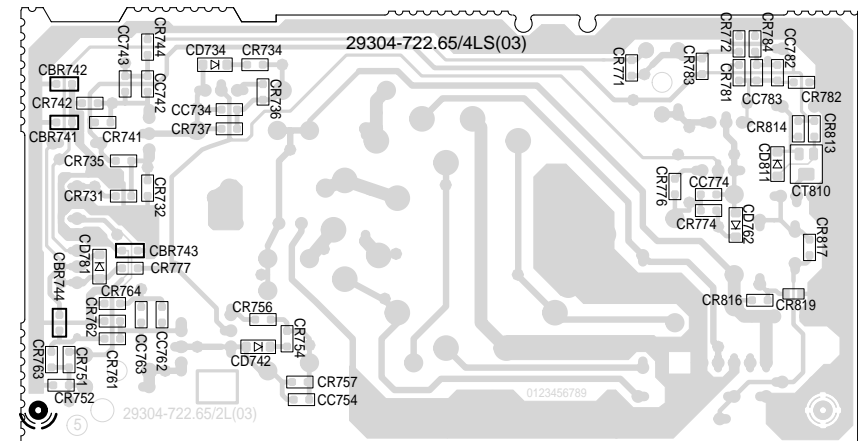
Bildrohrplatte / CRT Panel



Bestückungsseite, Ansicht von oben / Component Side, Top View



Lötseite, Ansicht von unten / Solder Side, Bottom View



Prozessor-Platte / Processing Board

PROZESSOR-PLATTE
PROCESSING BOARD
PLAQUE CALCULATEUR
PIASTRA CALCOLATORE
PLACA CALCOLADOR

VARIANTE 1.0
29305-119.371/391/401/46/47/48/54/56/57/58/59/60
.61/63/64/65/66/70/71/72/74/75/76

VARIANTE 2.0
29305-219.11/12

VARIANTE 2.1
29305-219.011/02/03/06/07/10
29305-319.011/02/05/09

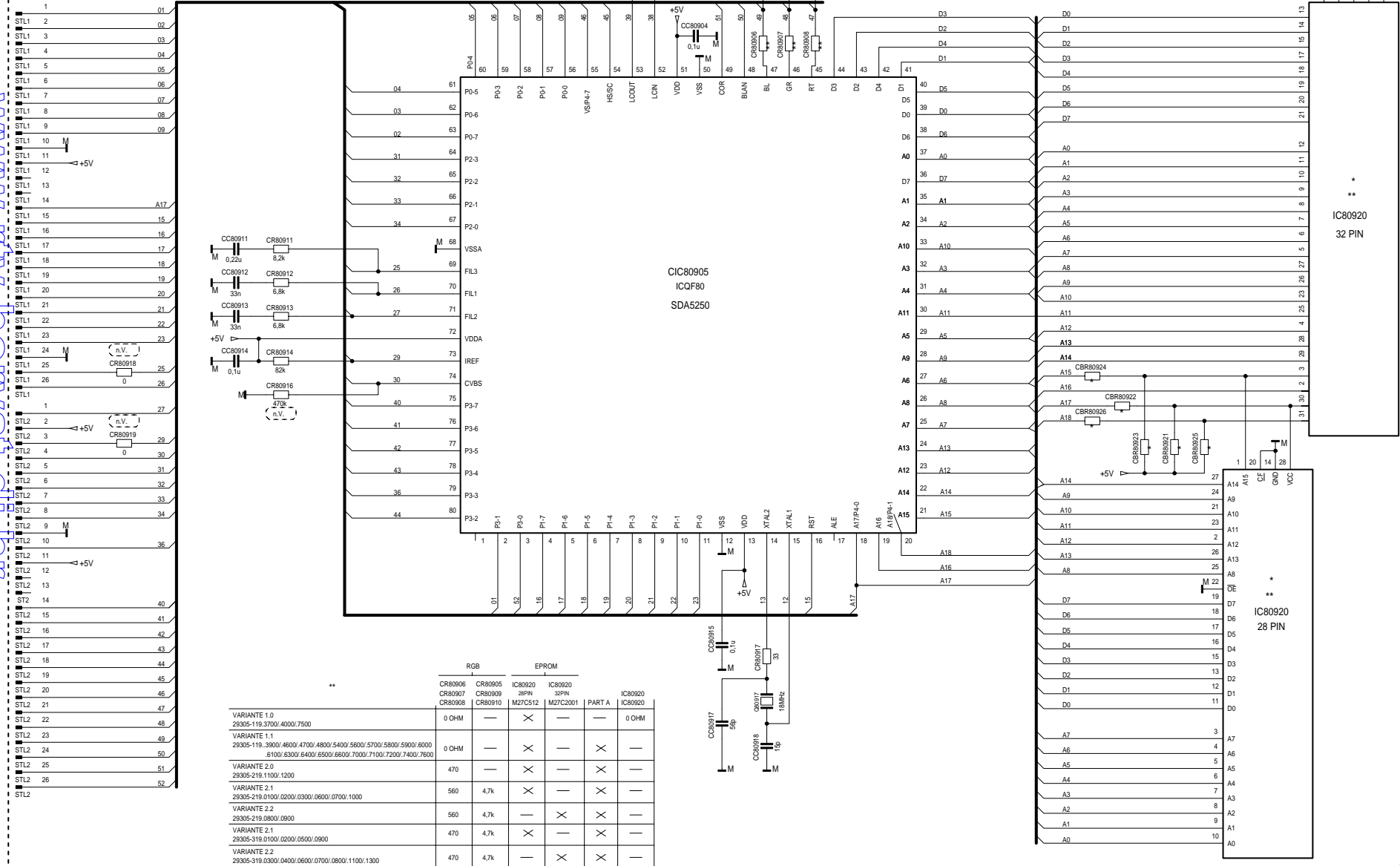
VARIANTE 2.2
29305-219.08/09
29305-319.03/04/06/07/08/11/13

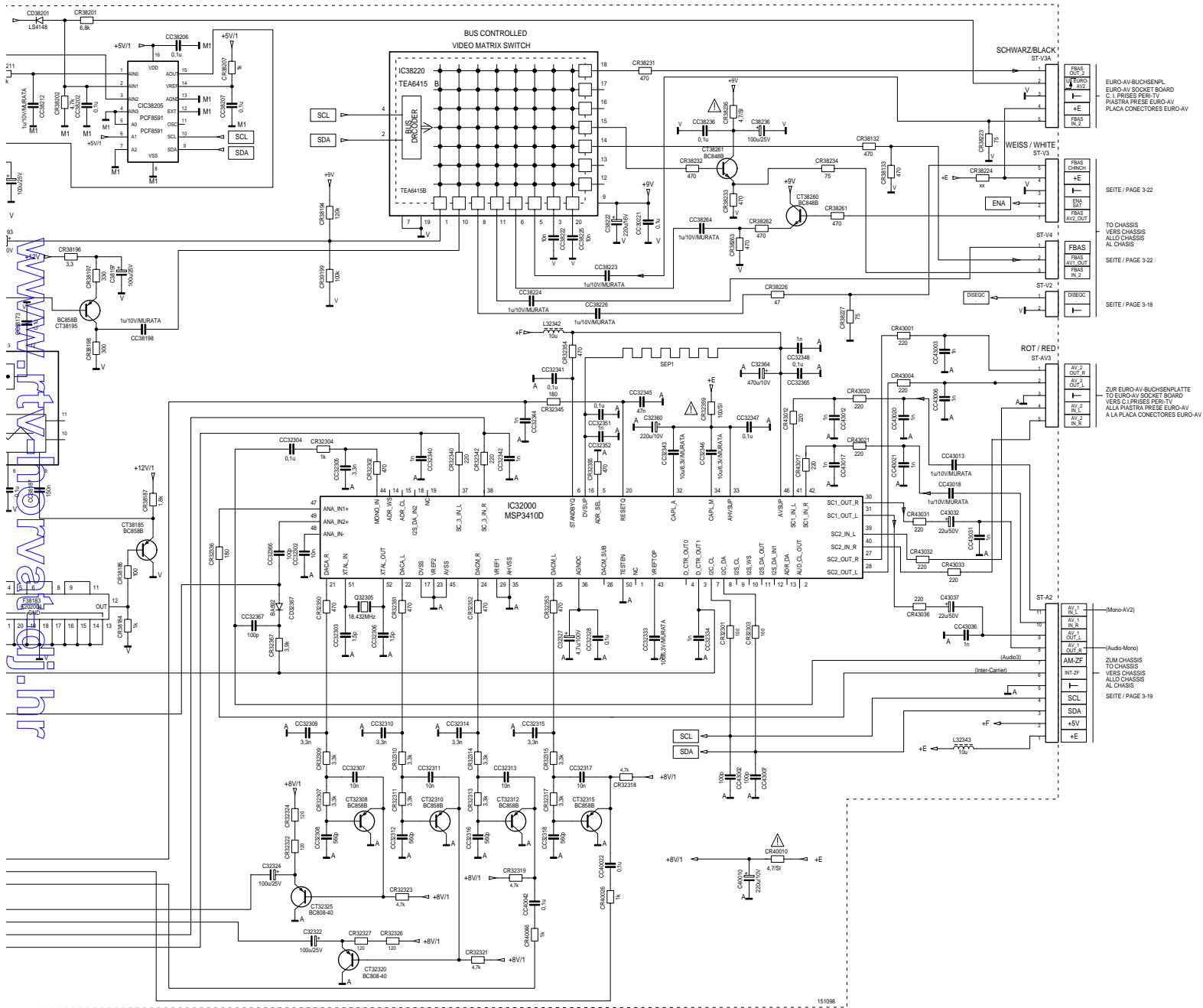
vorgesehene Bestueckungsoptionen

IC80920	M27C256	M27C512
CBR80921	0 OHM	0 OHM
CBR80922	—	—
CBR80923	0 OHM	—
CBR80924	—	0 OHM
CBR80925	—	—
CBR80926	—	—

IC80920	M27C1001	M27C2001	M27C4001
CBR80921	—	—	—
CBR80922	—	0 OHM	0 OHM
CBR80923	—	—	—
CBR80924	0 OHM	0 OHM	0 OHM
CBR80925	0 OHM	0 OHM	—
CBR80926	—	—	—

www.rtv-norvat-dj.hr





www.rtv-norvaldi.hr

- EURO-AV-BUCHSENPL. EURO-AV SOCKET BOARD C. 1. PIASTRA PRESIE PER TV. ALA PIASTRA PRESIE EURO-AV ALA PLACA CONECTORES EURO-AV
- SEITE / PAGE 3-22
- TO CHASSIS VERS CHASSIS ALLO CHASSIS AL CHASSIS
- SEITE / PAGE 3-22
- SEITE / PAGE 3-18
- ROT / RED ST-A2
- AV 1 IN L AV 1 IN R AV 1 OUT L AV 1 OUT R
- AV 2 IN L AV 2 IN R AV 2 OUT L AV 2 OUT R
- (Audio+Mono)
- ZUR CHASSIS TO CHASSIS VERS CHASSIS ALLO CHASSIS AL CHASSIS
- SEITE / PAGE 3-19

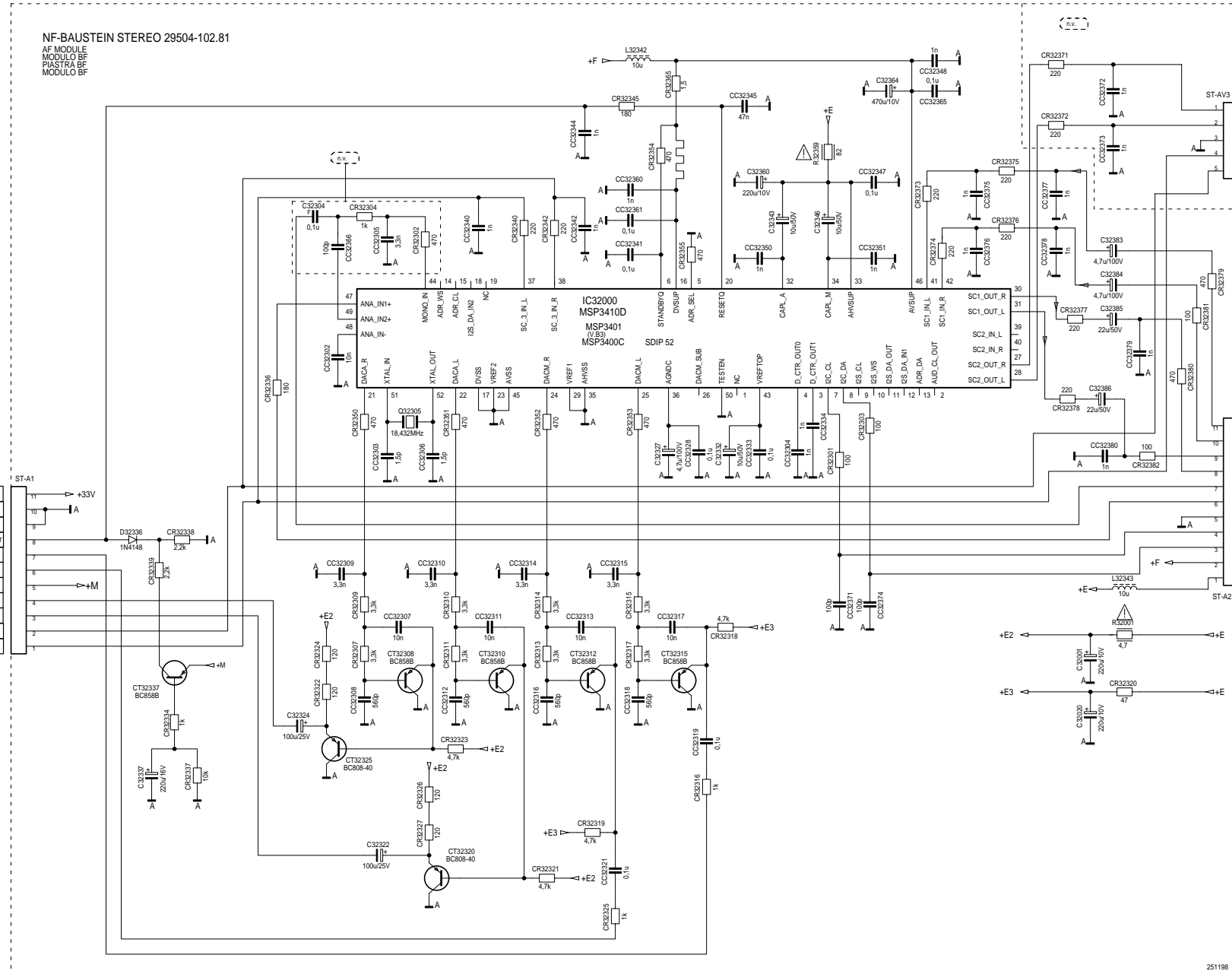


NF-Baustein Stereo / AF Module

www.rtv-horv-dj.hr

NF-BAUSTEIN STEREO 29504-102.81

AF MODULE
MODULO BF
PIASTRA BF
MODULO BF



ZUR EURO-AV-BUCHSENPLATTE
- TO EURO-AV SOCKET BOARD
VERS C. PRISES PERI-TV
ALLA PIASTRA PRESSE EURO-AV
A LA PLACA CONECTORES EURO-AV

ZUM CHASSIS
TO CHASSIS
VERS CHASSIS
ALLO CHASSIS
AL CHASSIS
SEITE / PAGE 3-19

251198

