

- D901 - D904  
1S1888 x 4
- C901 - C904  
4700P 500V  
x 4

J 901

T 902

R 902 (POSISTOR)

T 901

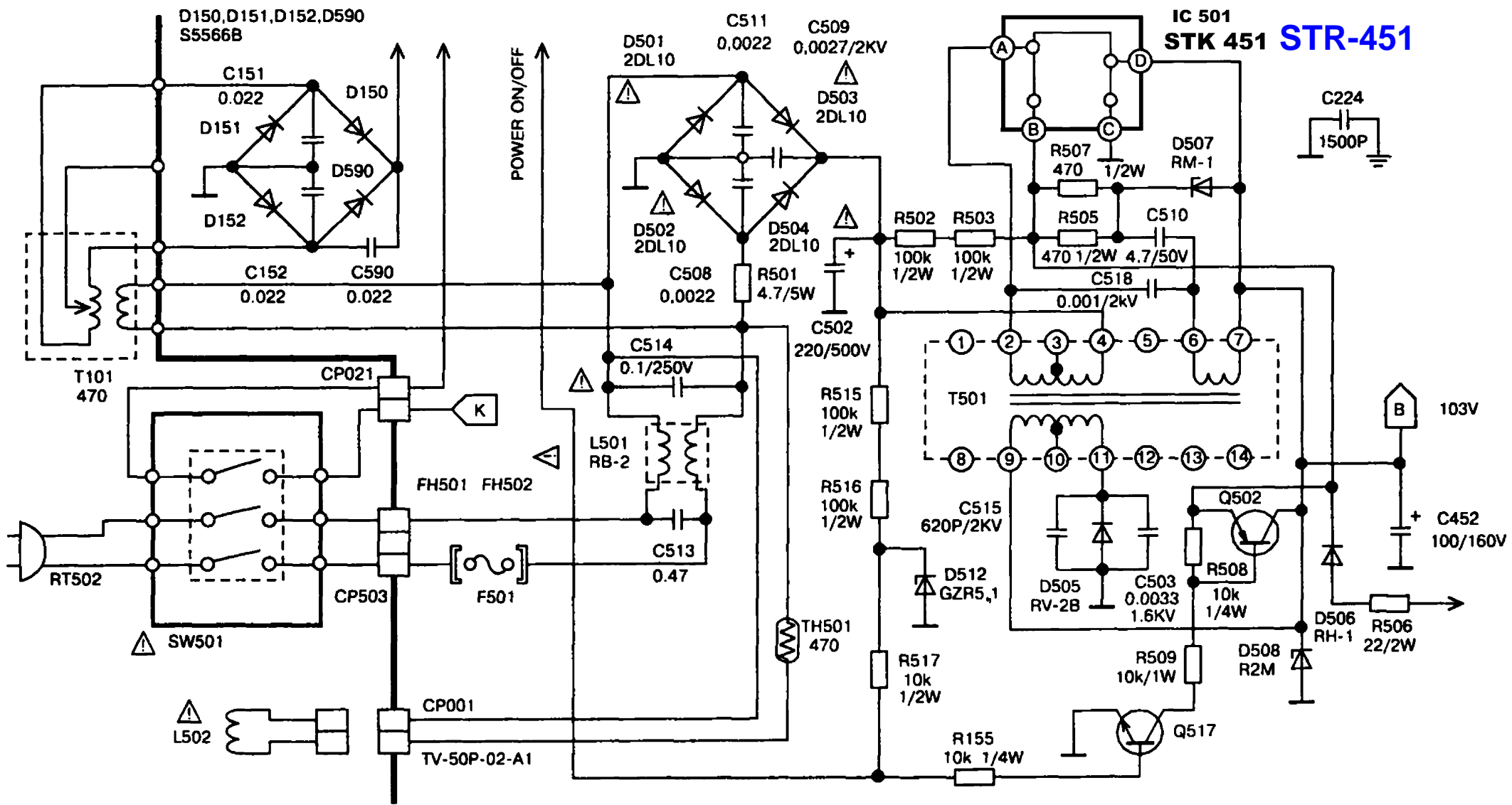
F 901  
250V/4A

DEGAUSSING  
COIL

SW 01)

AC INPUT

FM SW 02



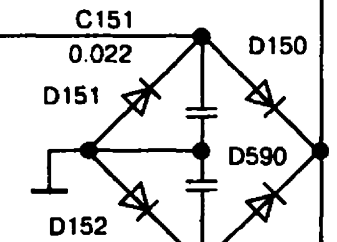
D150, D151, D152, D590  
S5566B

IC 501  
STK 451 STR-451

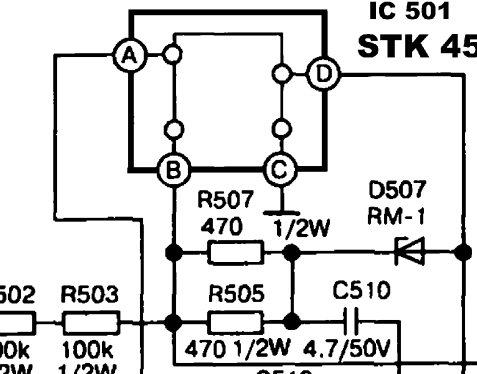
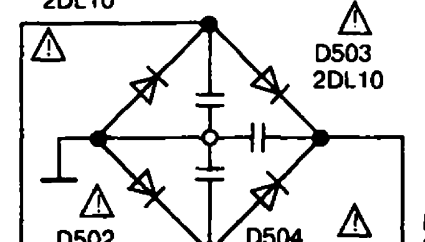
C224  
1500P

103V

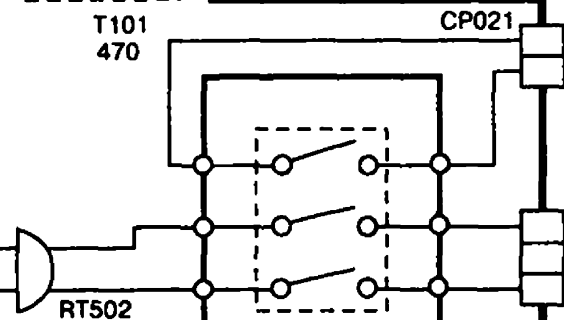
POWER ON/OFF



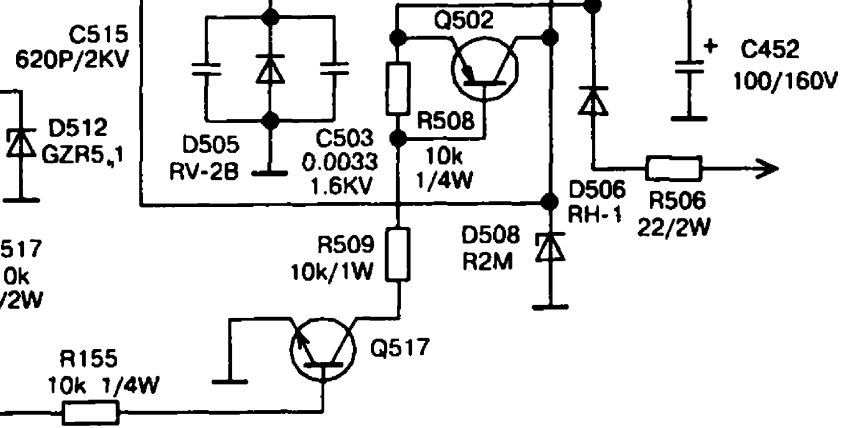
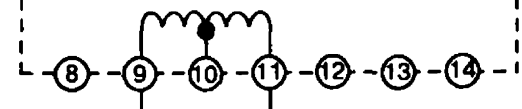
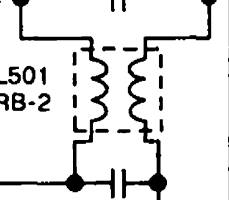
C511 0.0022  
C509 0.0027/2KV



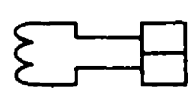
T101  
470



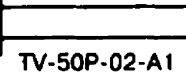
C514 0.1/250V



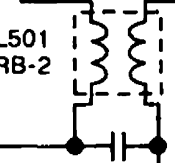
L502



CP001



TV-50P-02-A1



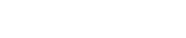
FH501 FH502



CP503



F501



SW501



TV-50P-02-A1