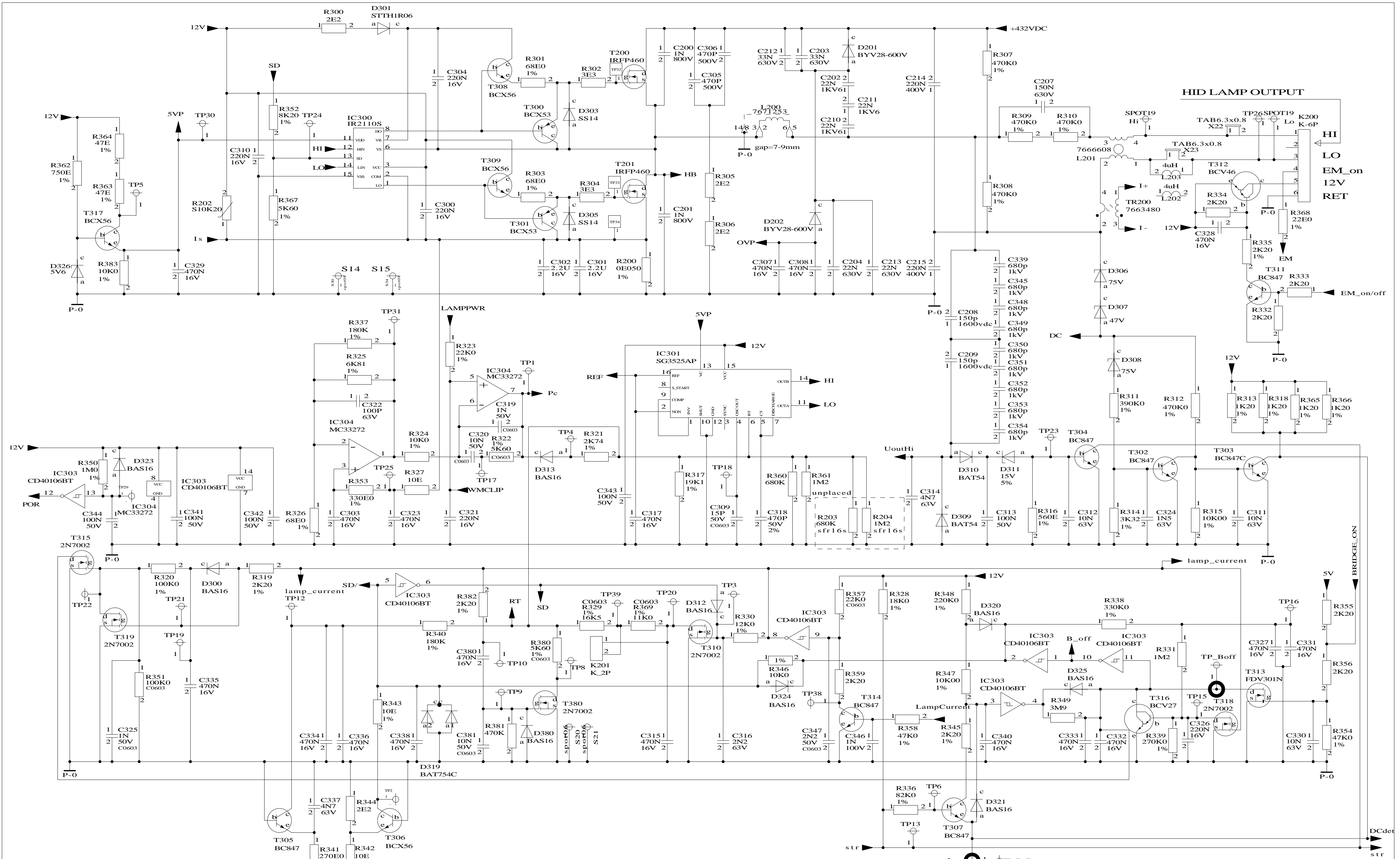


1 .. 99 = HMT
100 .. 199 = SMT

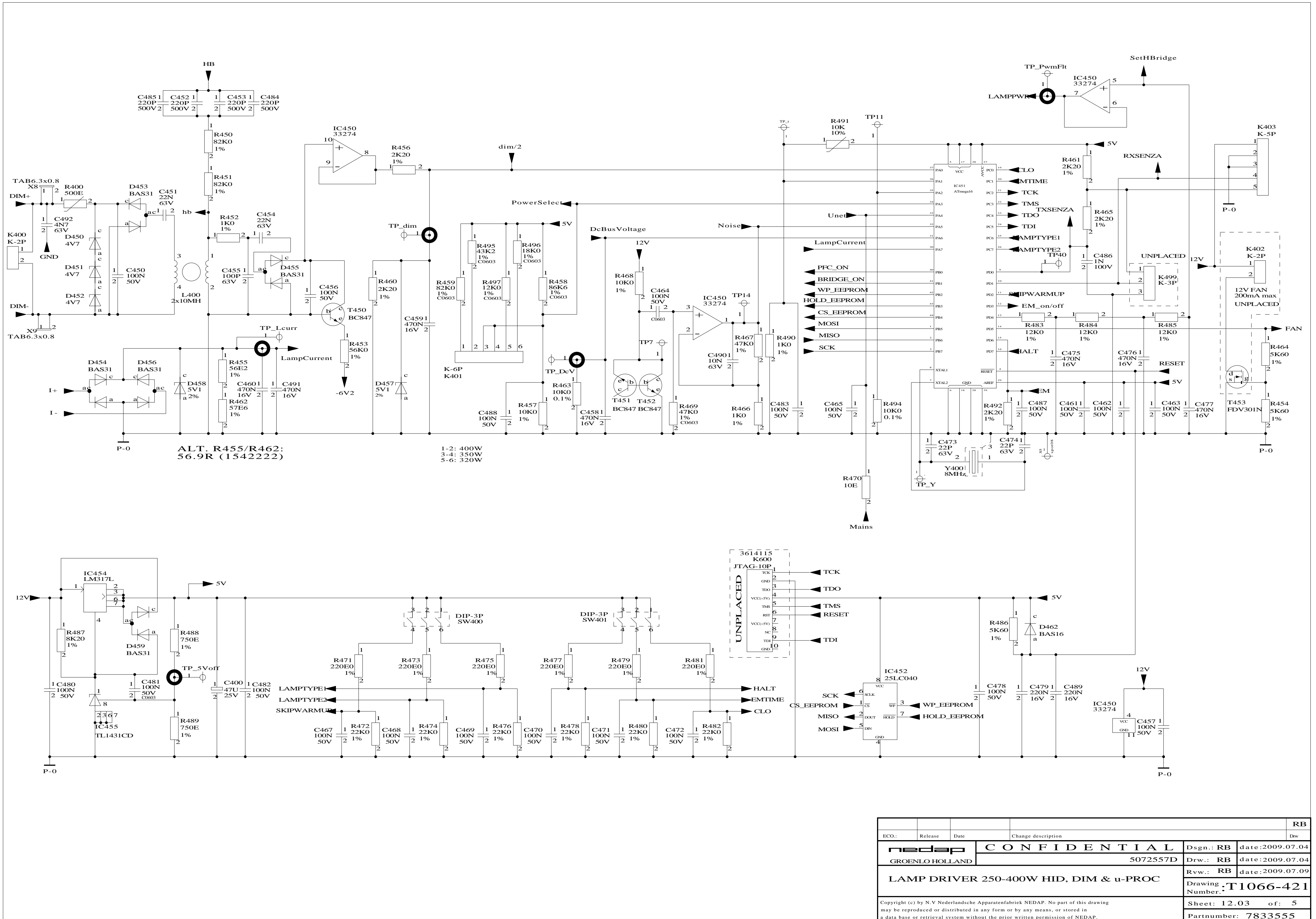
ECO:	Release	Date	Change description	Dwg
nedap CONFIDENTIAL				Dsgn.: RB date:2009.07.04
GROENLO HOLLAND 5072557D				Drw.: RB date:2009.07.04
LAMP DRIVER 250-400W HID, PFC & Vaux				Rvw.: RB date:2009.07.09
Drawing Number: T1066-421				Sheet: 12.01 of: 5
Copyright (c) by N.V. Nederlandse Apparatenfabriek NEDAP. No part of this drawing may be reproduced or distributed in any form or by any means, or stored in a data base or retrieval system without the prior written permission of NEDAP.				Partnumber: 7833555



200 .. 299 = HMT
 300 .. 399 = SMT

ECO:	Release	Date	Change description	Dwg
nedap		CONFIDENTIAL		Dsgn.: RB date: 2009.07.04
GROENLO HOLLAND		5072557D	Drw.: RB date: 2007.07.04	
LAMP DRIVER 250-400W US, INVERTER				Rvw.: RB date: 2009.07.09
Drawing Number: T1066-421				
Sheet: 12.02 of: 5				
Partnumber: 7833555				

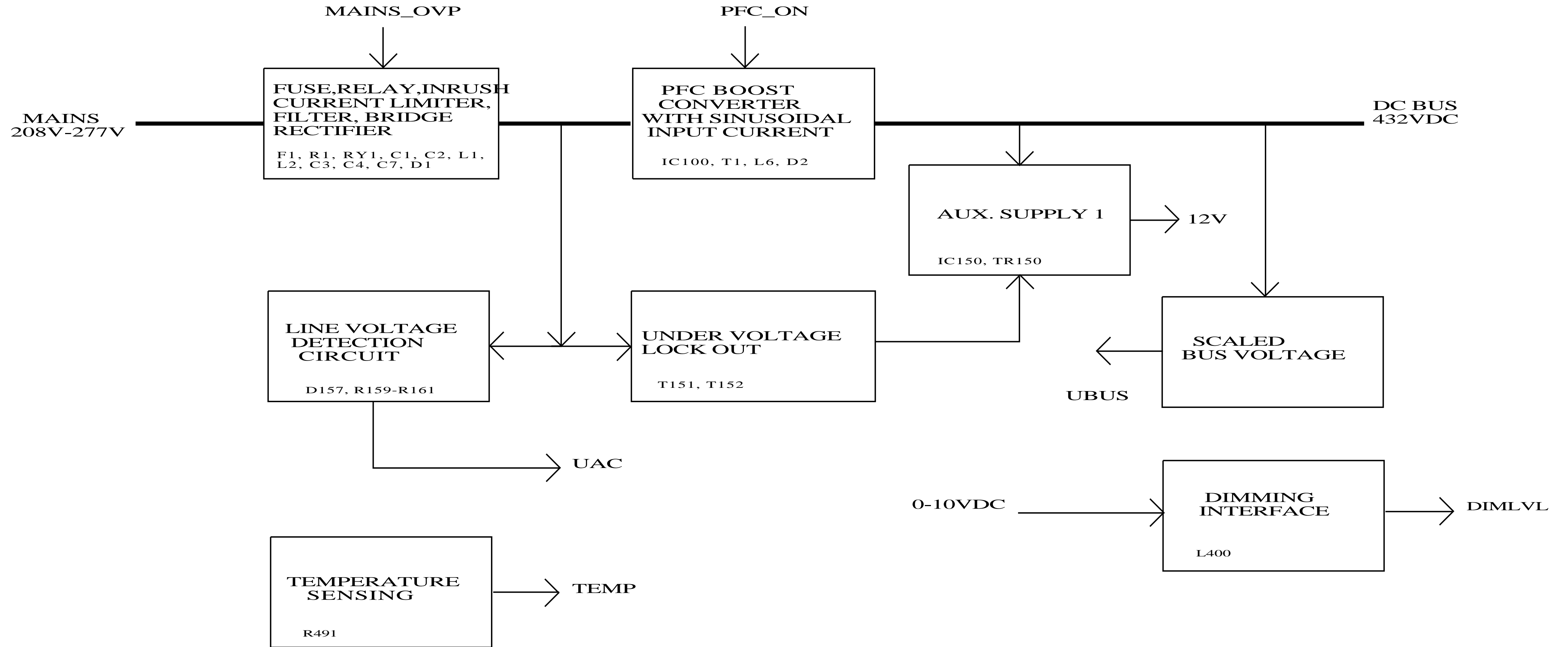
Copyright (c) by N.V. Nederlandsche Apparatenfabrik NEDAP. No part of this drawing may be reproduced or distributed in any form or by any means, or stored in a data base or retrieval system without the prior written permission of NEDAP.



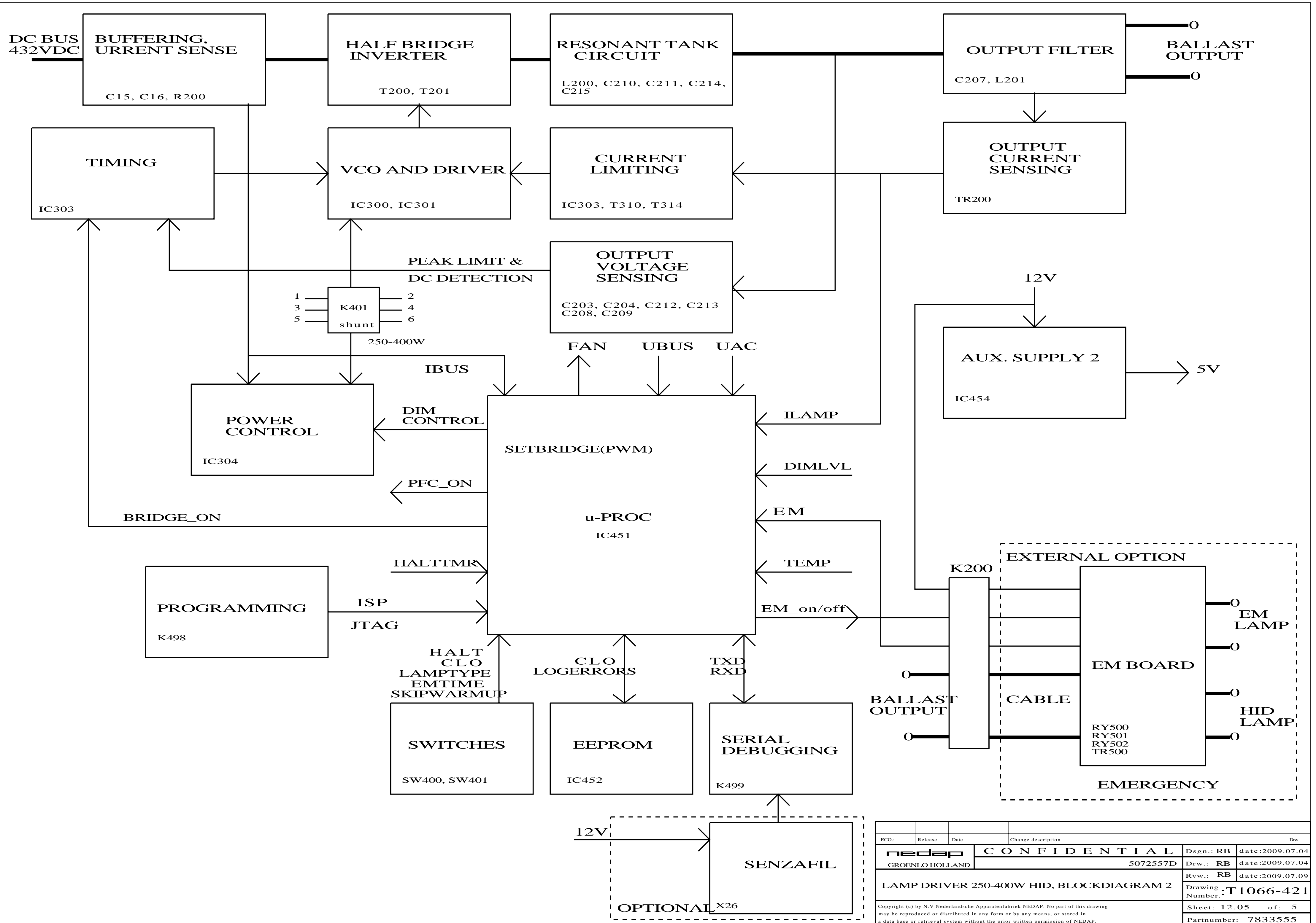
ALT. R455/R462:
56.9R (1542222)

1-2: 400W
3-4: 350W
5-6: 320W

ECO:	Release	Date	Change description	RB
nedap CONFIDENTIAL				Dwg
GROENLO HOLLAND 5072557D				Dsgn.: RB date:2009.07.04
LAMP DRIVER 250-400W HID, DIM & u-PROC				Drw.: RB date:2009.07.04
Copyright (c) by N.V. Nederlandse Apparatenfabriek NEDAP. No part of this drawing may be reproduced or distributed in any form or by any means, or stored in a data base or retrieval system without the prior written permission of NEDAP.				Rvw.: RB date:2009.07.09
Drawing Number: T1066-421				Sheet: 12.03 of: 5
Partnumber: 7833555				



ECO:	Release	Date	Change description	Dwg
nedap	C O N F I D E N T I A L			Dsgn.: RB date:2009.07.04
GROENLO HOLLAND	5072557D			Drw.: RB date:2009.07.04
LAMP DRIVER 250-400W HID, BLOCKDIAGRAM 1				Rvw.: RB date:2009.07.09
Copyright (c) by N.V. Nederlandsche Apparatenfabriek NEDAP. No part of this drawing may be reproduced or distributed in any form or by any means, or stored in a data base or retrieval system without the prior written permission of NEDAP.				Drawing Number.: T1066-421
				Sheet: 12.04 of: 5
				Partnumber: 7833555



ECO:	Release	Date	Change description	Dwg
nedap			CONFIDENTIAL	Dsgn.: RB date:2009.07.04
GROENLO HOLLAND			5072557D	Drw.: RB date:2009.07.04
LAMP DRIVER 250-400W HID, BLOCKDIAGRAM 2				Rvw.: RB date:2009.07.09
				Drawing Number.: T1066-421
				Sheet: 12.05 of: 5
				Partnumber: 7833555

Copyright (c) by N.V. Nederlandse Apparatenfabriek NEDAP. No part of this drawing may be reproduced or distributed in any form or by any means, or stored in a data base or retrieval system without the prior written permission of NEDAP.