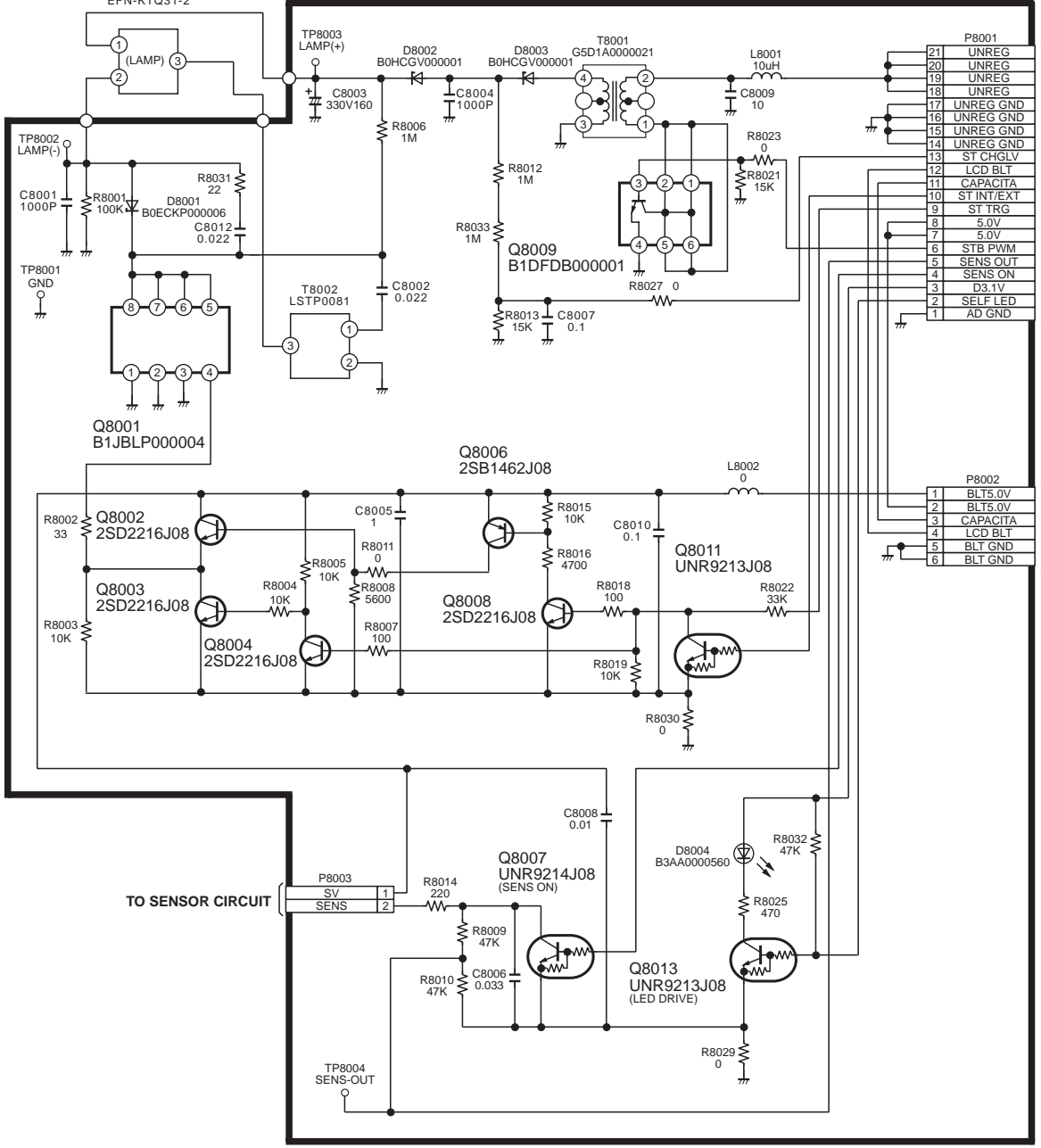


G  
F  
E  
D  
C  
B  
A

### STROBE SCHEMATIC DIAGRAM



TO MAIN CIRCUIT (P6008)

TO INVERTER CIRCUIT (P1201)

1 2 3 4 5 6