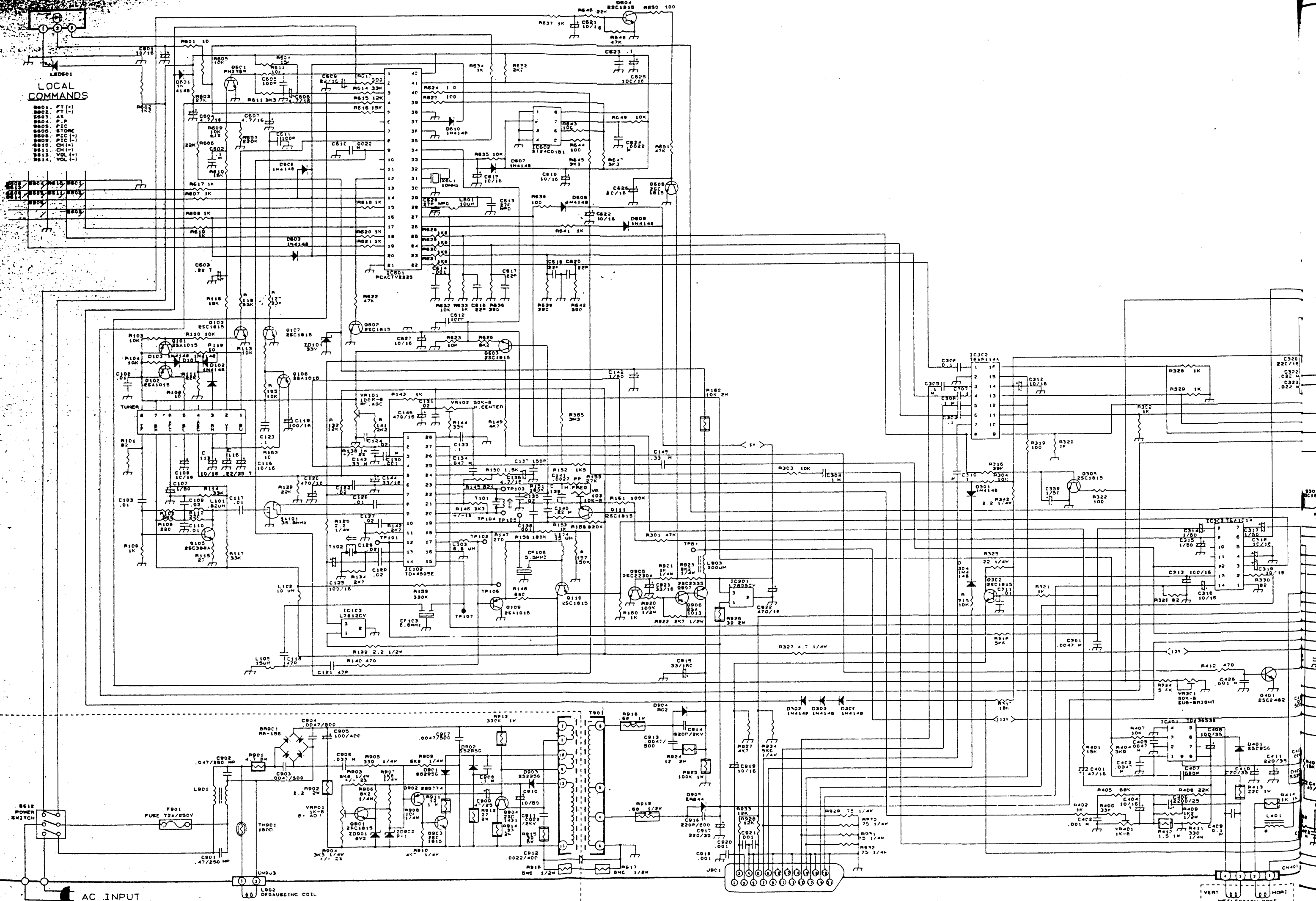
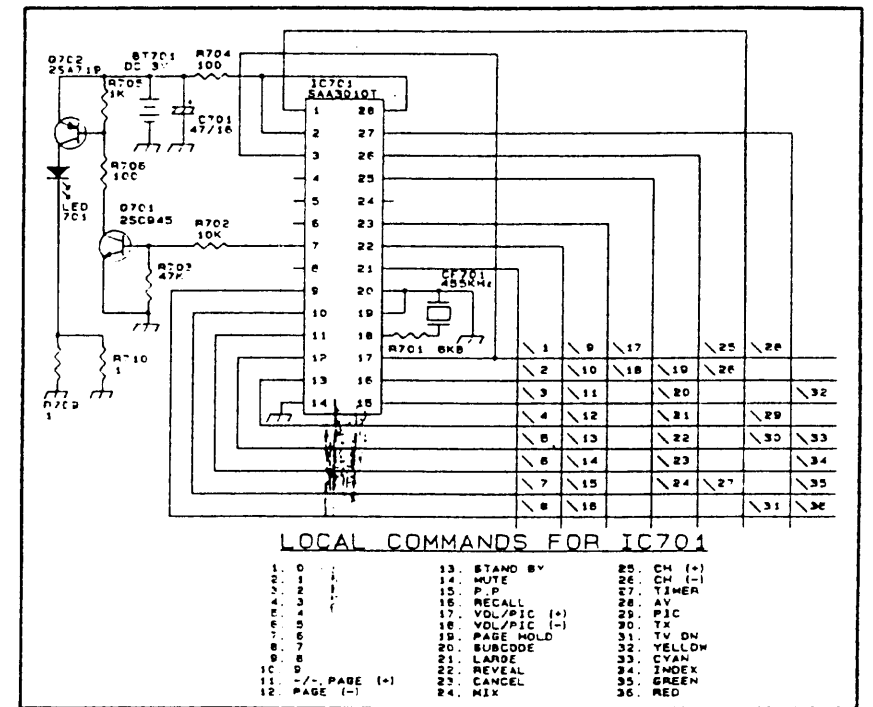
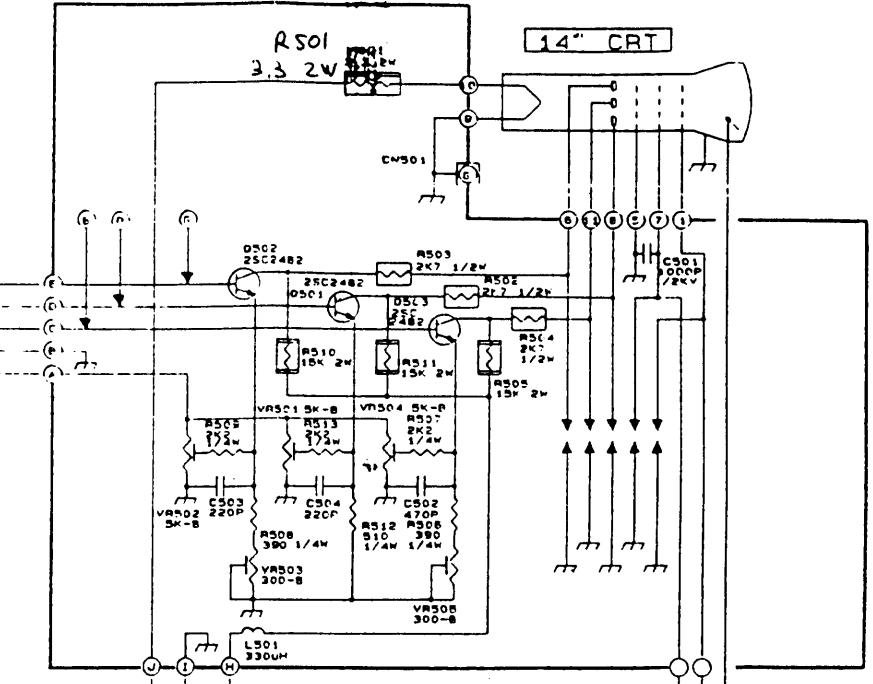
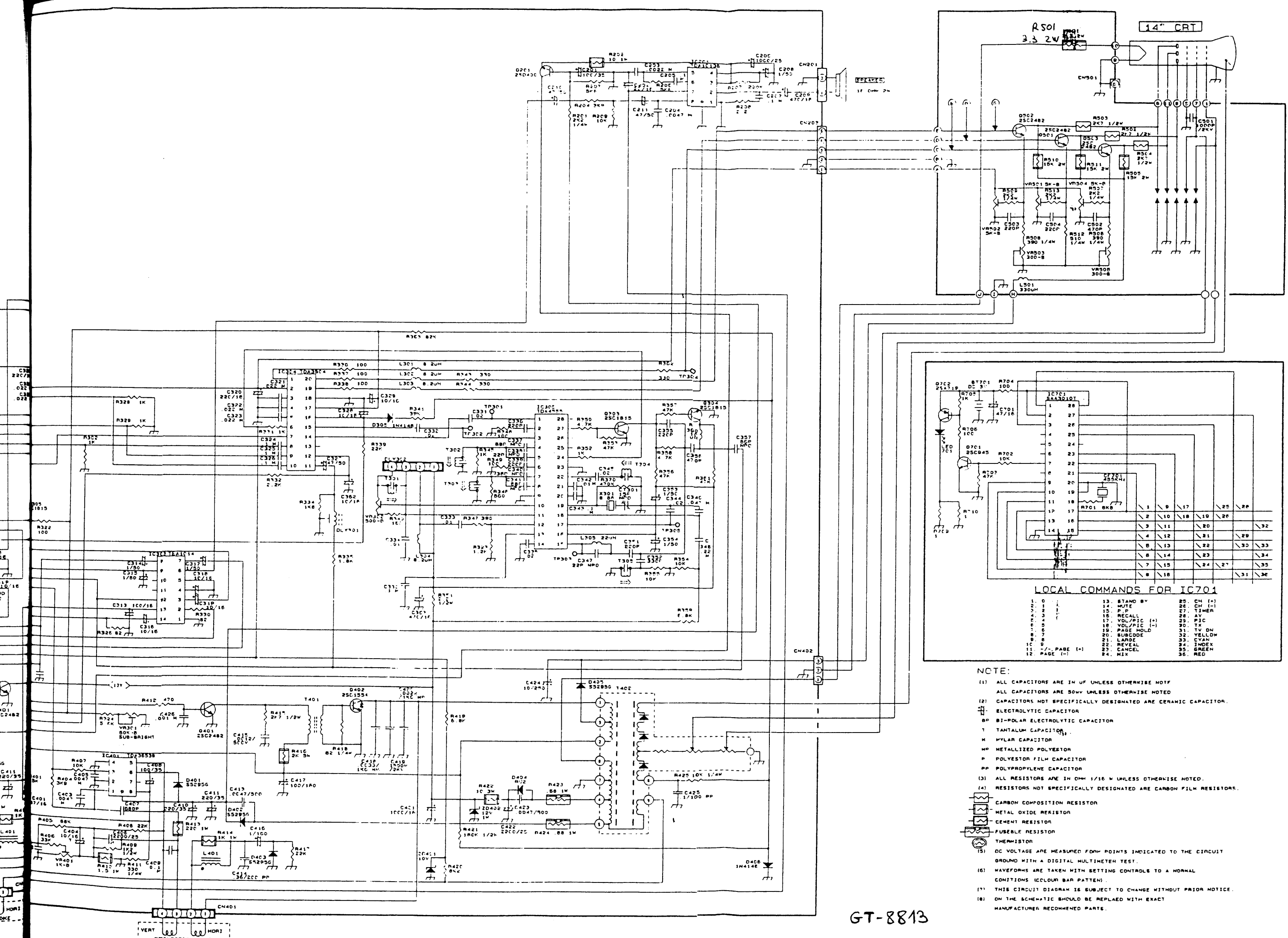


LOCAL COMMANDS

- SB01. FT (-)
- SB02. AS
- SB03. P.P
- SB04. PIC
- SB05. STONE
- SB06. PIC (-)
- SB07. PIC (-)
- SB08. PIC (-)
- SB09. PIC (-)
- SB10. CH (-)
- SB11. CH (-)
- SB12. VOL (-)
- SB13. VOL (-)
- SB14. VOL (-)



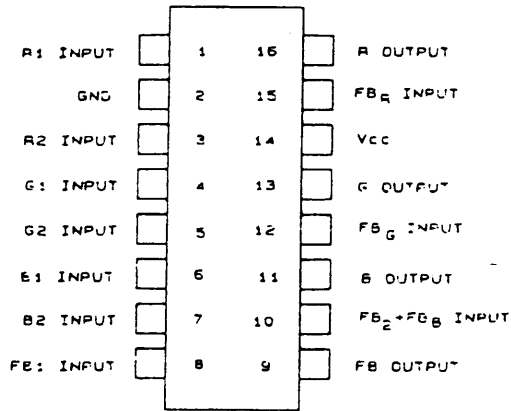
VERT DEFLECTION YOK
HORI DEFLECTION YOK



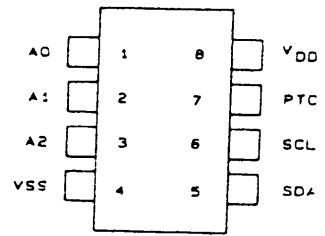
- NOTE:
- (1) ALL CAPACITORS ARE IN UF UNLESS OTHERWISE NOTED
ALL CAPACITORS ARE 50V UNLESS OTHERWISE NOTED
 - (2) CAPACITORS NOT SPECIFICALLY DESIGNATED ARE CERAMIC CAPACITOR.
 - ⊖ ELECTROLYTIC CAPACITOR
 - BP BI-POLAR ELECTROLYTIC CAPACITOR
 - T TANTALUM CAPACITOR
 - M MYLAR CAPACITOR
 - MP METALLIZED POLYESTER
 - P POLYESTER FILM CAPACITOR
 - PP POLYPROPYLENE CAPACITOR
 - (3) ALL RESISTORS ARE IN OHM UNLESS OTHERWISE NOTED.
 - (4) RESISTORS NOT SPECIFICALLY DESIGNATED ARE CARBON FILM RESISTORS.
 - ⊖ CARBON COMPOSITION RESISTOR
 - ⊖ METAL OXIDE RESISTOR
 - ⊖ CEMENT RESISTOR
 - ⊖ FUSIBLE RESISTOR
 - ⊖ THERMISTOR
 - (5) DC VOLTAGE ARE MEASURED FROM POINTS INDICATED TO THE CIRCUIT GROUND WITH A DIGITAL MULTIMETER TEST.
 - (6) WAVEFORMS ARE TAKEN WITH SETTING CONTROLS TO A NORMAL CONDITIONS (COLOR BAR PATTERN).
 - (7) THIS CIRCUIT DIAGRAM IS SUBJECT TO CHANGE WITHOUT PRIOR NOTICE.
 - (8) ON THE SCHEMATIC SHOULD BE REPLACED WITH EXACT MANUFACTURER RECOMMENDED PARTS.

GT-8813

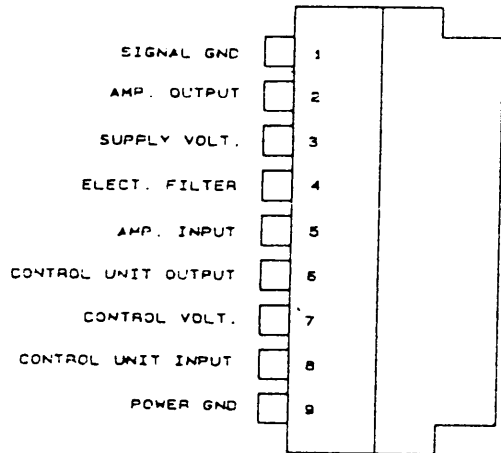
IC302 TEA5114A



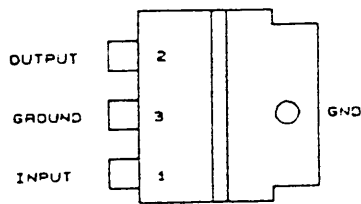
IC602 ST24C01B1



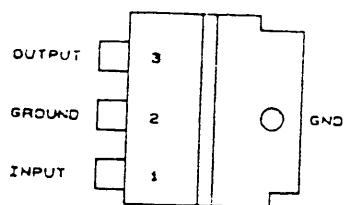
IC201 TDA1013B



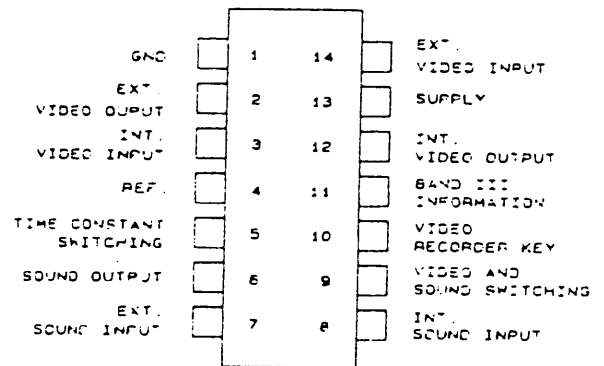
IC103 L7812CV



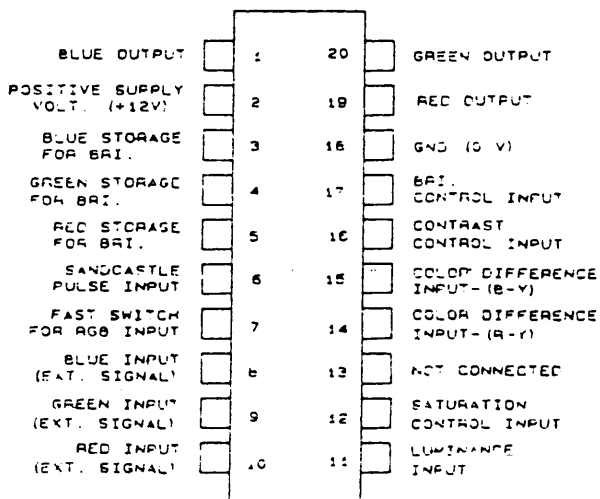
IC901 L7805CV



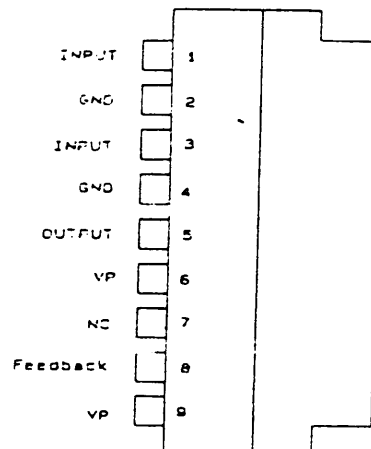
IC303 TEA1014



IC304 TDA3504

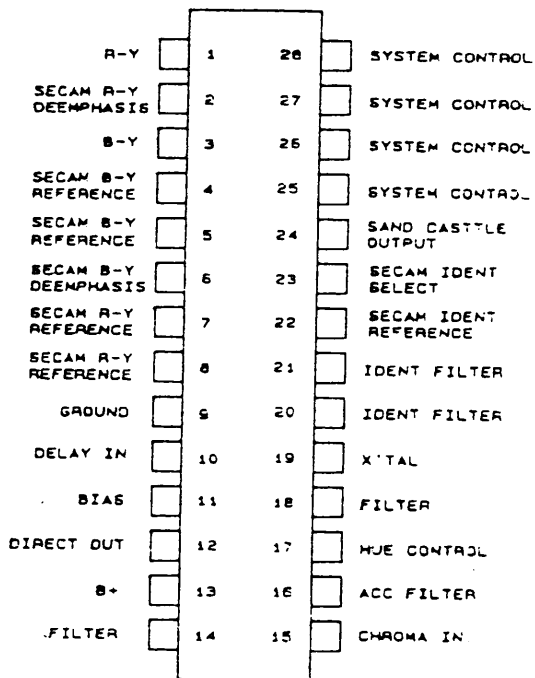


IC401 TDA3653B

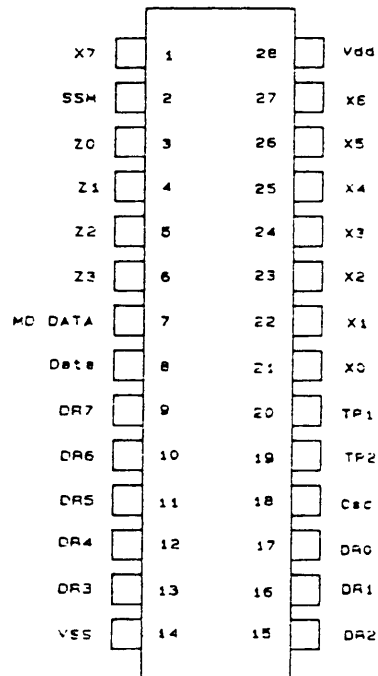


GT-8843

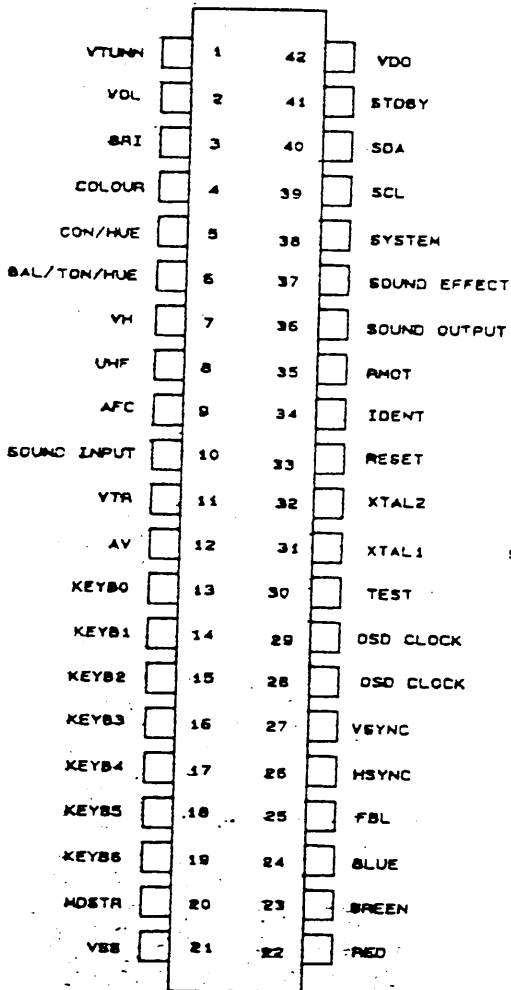
IC305 TDA4555



IC701 SAA3010T



IC601 PRACTV222S



IC102 TDA4505E

