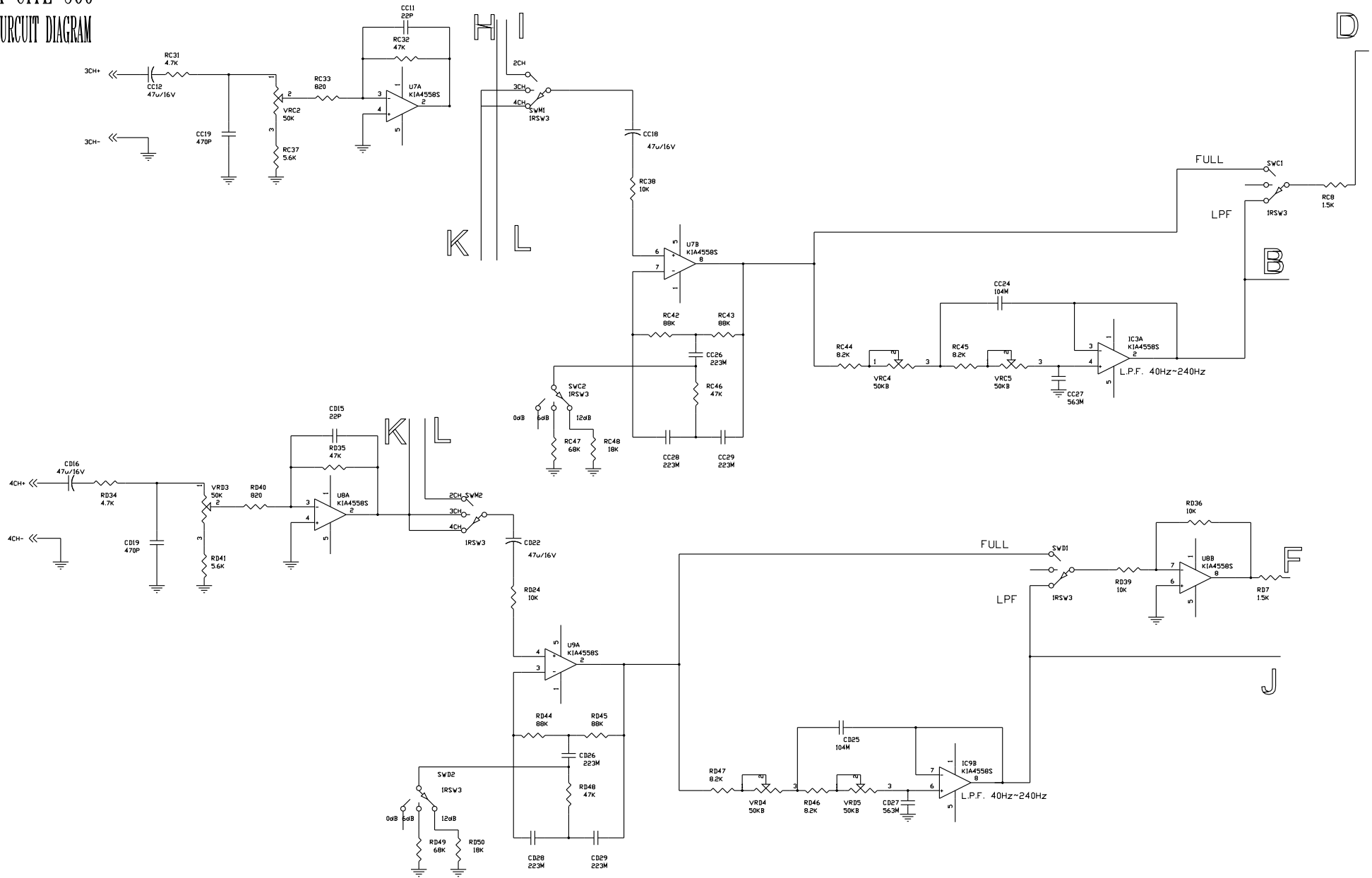


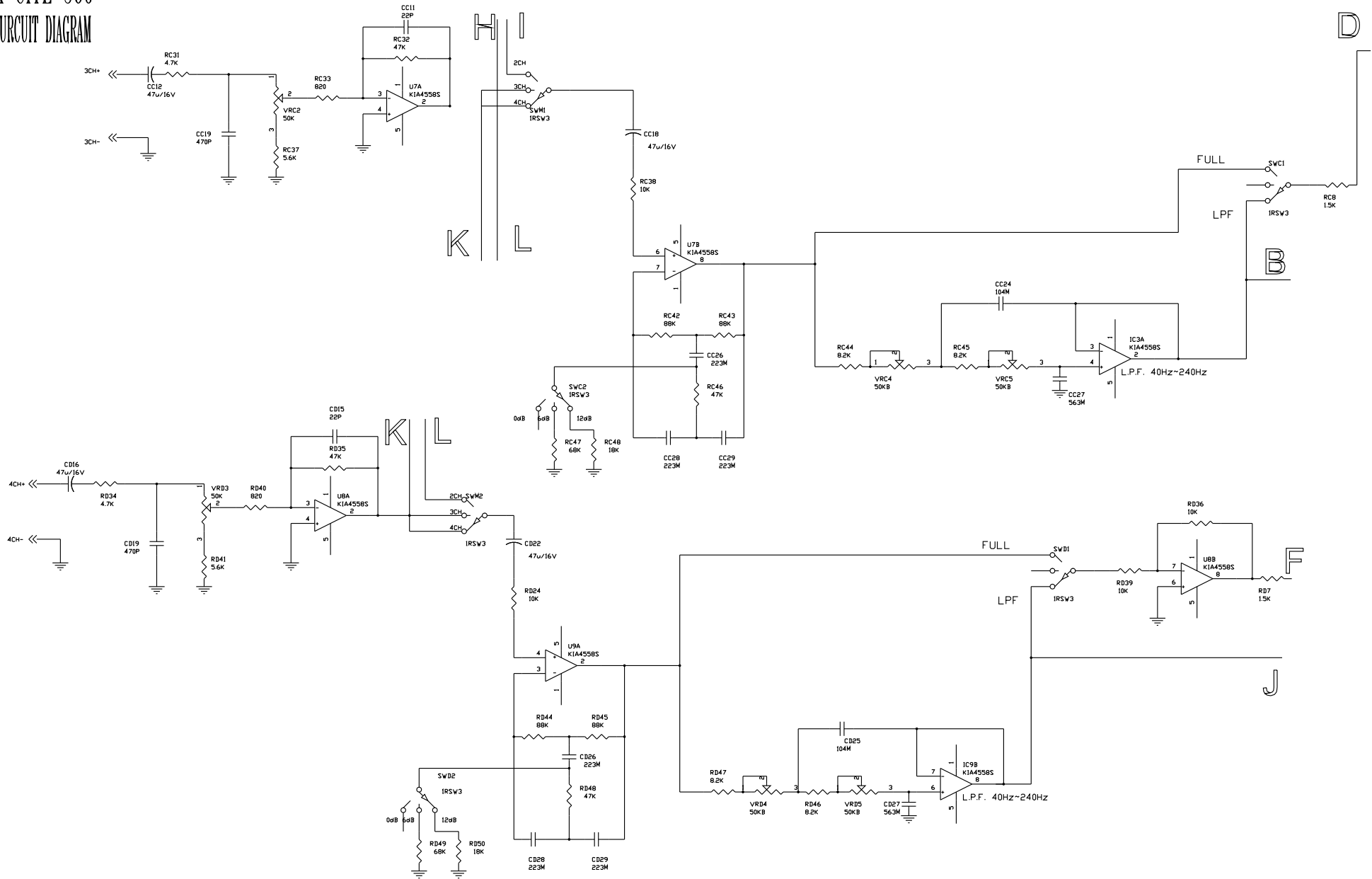


**560**

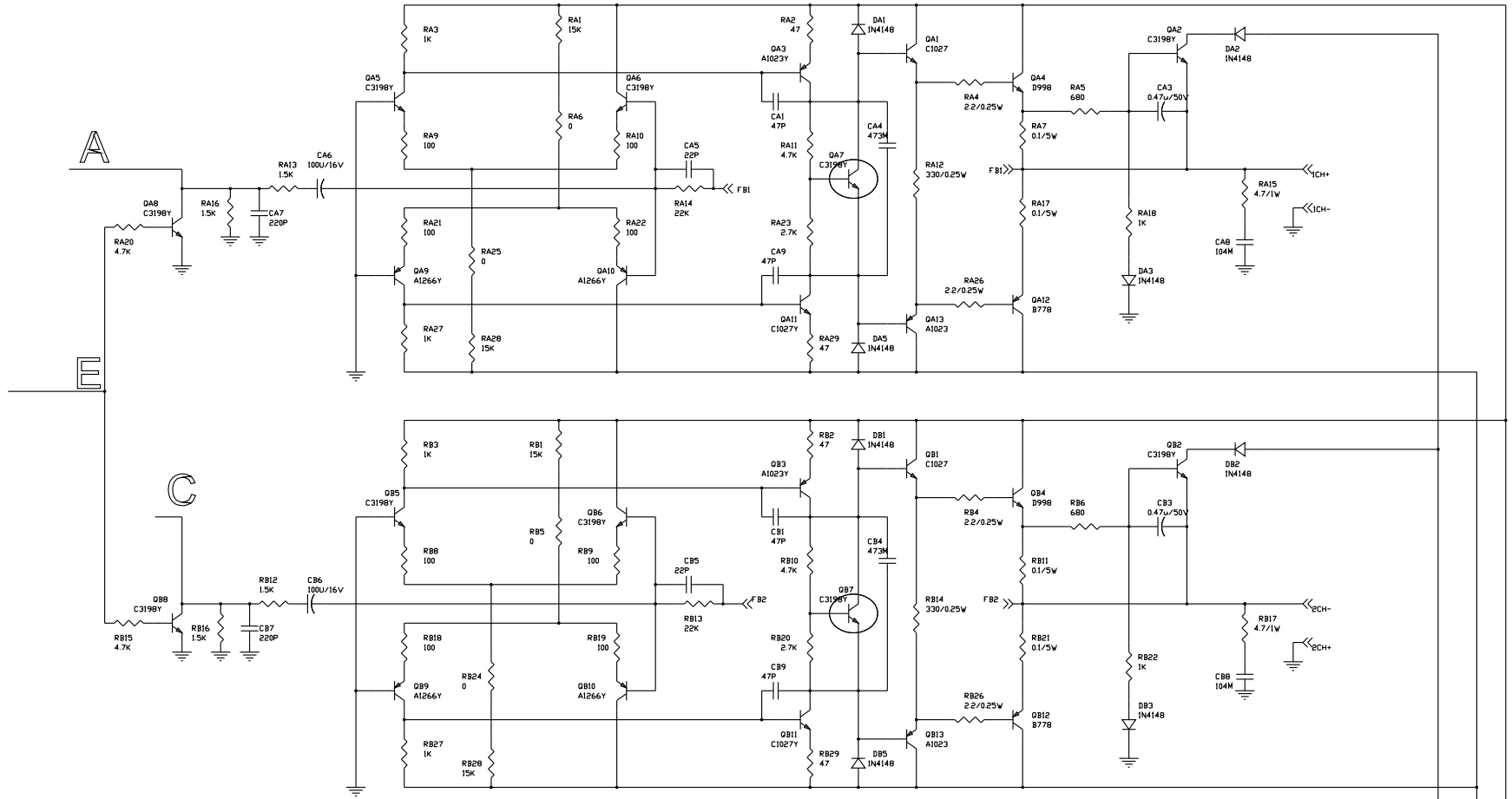
# MAGNAT X CITE 560 CURCUT DIAGRAM



# MAGNAT X CITE 560 CURCUIT DIAGRAM

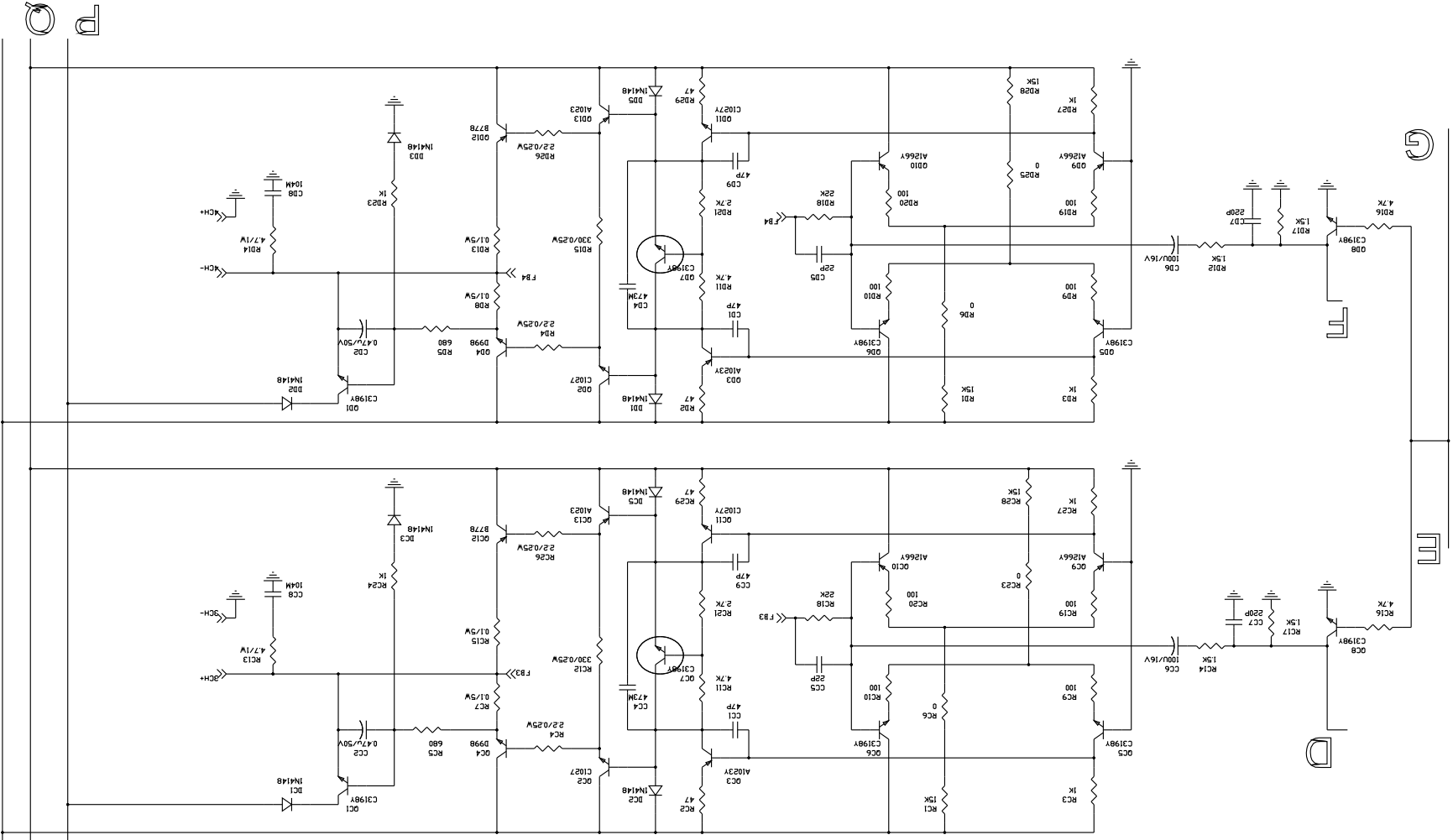


# MAGNAT X CITE 560 CIRCUIT DIAGRAM



N M O

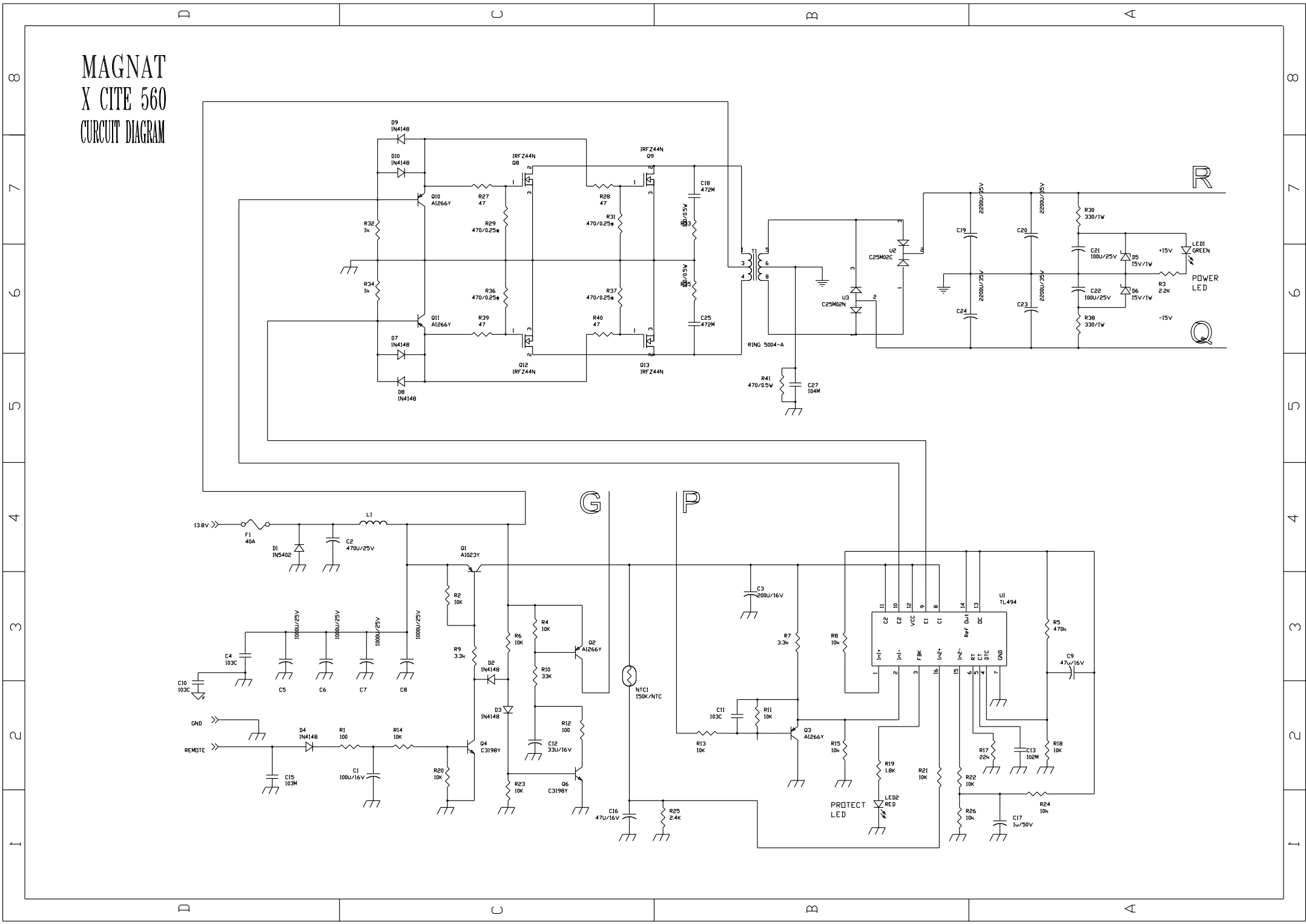
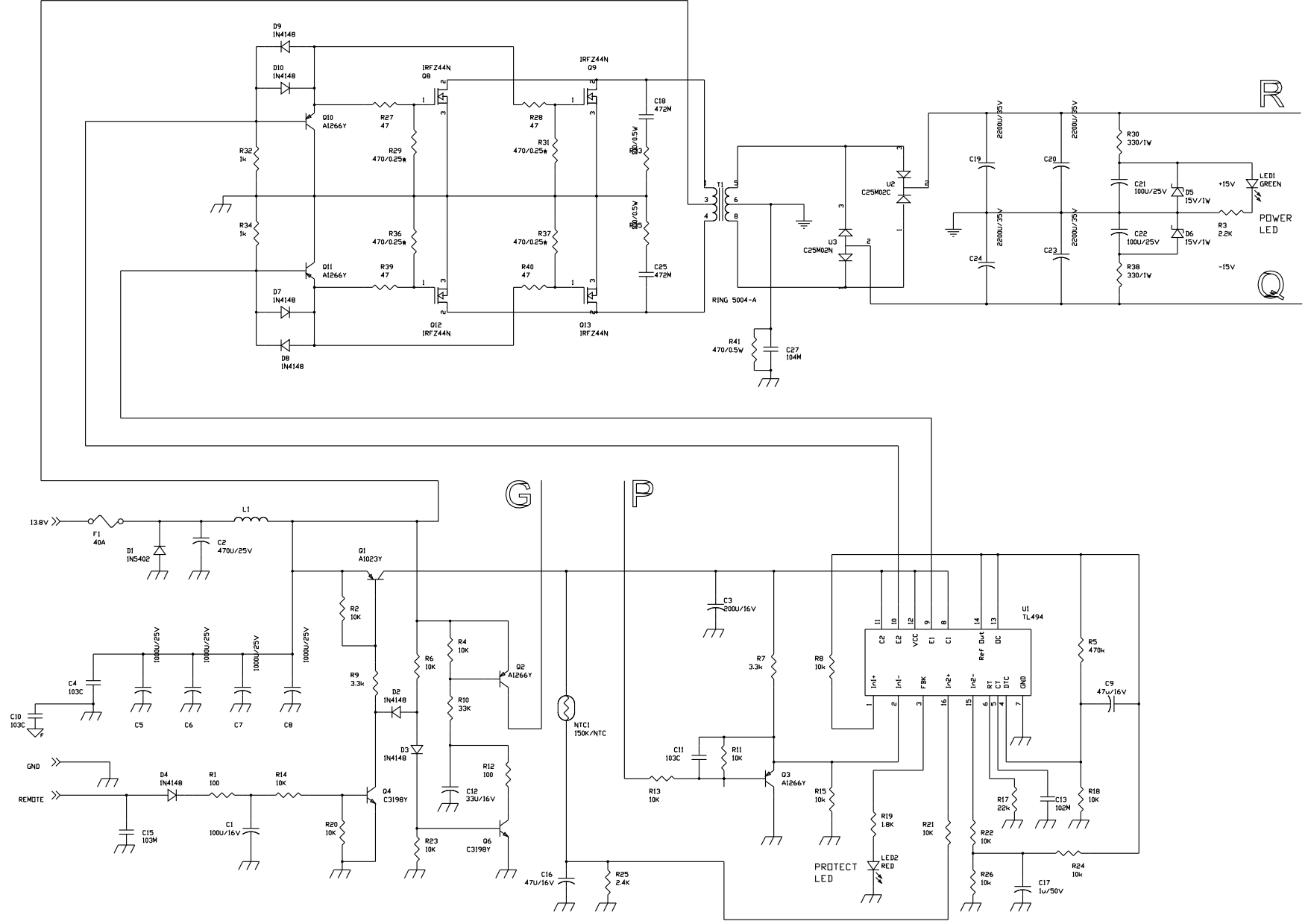
MAGNAT  
X CITE 560  
CIRCUIT DIAGRAM



FR  
FO  
FM

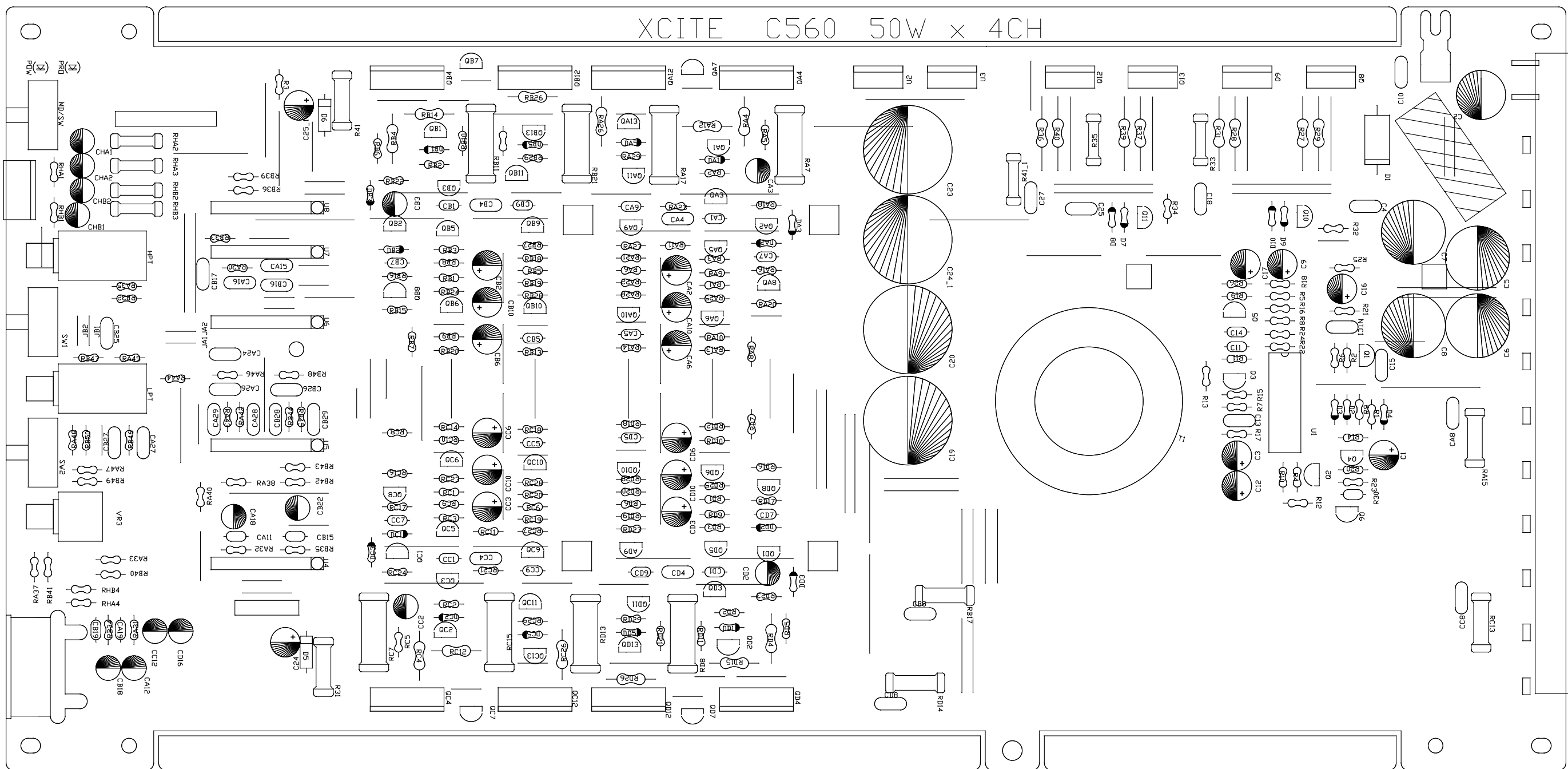
NMO

# MAGNAT X CITE 560 CIRCUIT DIAGRAM



MAGNAT  
X CITE 560  
PCB TOP VIEW

XCITE C560 50W x 4CH



Xcite 560 AUDIO AMP

Item	Quantity	Reference	Part
1	4	QD13, QB13, C	A1023
2	8	CD1, CC1, CB	47P CB9, CA9
3	4	CD2, CC2, CB	0.47u/50V
4	4	CD4, CC4, CB	473M
5	8	CD5, CC5, CB	22P CA11, CD15, CB15
6	8	C3, CD6, CC6,	100U/16V C21, C22
7	4	CD7, CC7, CB	220P
8	12	C4, CD8, CC8,	104M CB16, CA16, CB17, CC24, CD25, C27
9	8	C9, CC12, CA	147u/16V CC18, CB18, CD22
10	3	CC19, CB19, C	470p
11	6	CD26, CC26, C	223M CC29
12	2	CD27, CC27	563M
13	1	CD19	100P
14	1	C2	470U/25V
15	4	C5, C6, C7, C8	1000U/25V
16	4	C10, C11, C14	103C
17	1	C12	33U/16V
18	1	C13	102M
19	1	C17	22u/16V
20	2	C25, C18	472M
21	4	C19, C20, C23	2200U/35V
22	23	DD1, DC1, DB	1N4148 DB2, DA2, D2, DD3, DC3, DB3, DA3, D3, D4, DD5, DC5, DB5, DA5, D7, D8, D9, D10
23	1	D1	1N5402
24	2	D5, D6	15V/1W
25	1	F1	40A
26	9	U1, IC1, IC3, U	KIA4558S U9, IC9
27	1	LED1	GREEN
28	1	LED2	RED
29	1	L1	L502
30	1	NTC1	150K/NTC
31	4	QB1, QA1, QD	C1027
32	23	QD1, QC1, QB	C3198Y QC5, QB5, QA5, Q5, QD6, QC6, QB6, QA6, Q6, QD7, QC7, QB7, QA7, QD8, QC8, QB8, QA8
33	5	Q1, QD3, QC3	A1023Y
34	4	QD4, QC4, QB	D998
35	12	Q2, Q3, QD9, C	A1266Y QD10, QC10, QB10, QA10, Q10,



	Q11	
36	4 QD11, QC11, C1027Y	
37	4 QD12, QC12, C B778	
38	4 Q8, Q9, Q12, Q IRFZ44N	
39	8 RD1, RC1, RB 15K RC28, RB28, RA28	
40	12 RD2, RC2, RB: 47 RD29, RC29, RB29, RA29, R39, R40	
41	14 RD3, RC3, RB: 1K RB22, RD23, RC24, RD27, RC27, RB27, RA27, R32, R34	
42	8 RD4, RC4, RB 2.2/0.25W RC26, RB26, RA26	
43	4 RD5, RC5, RA: 680	
44	20 RB5, RD6, RC: 4.7K RD11, RC11, RA11, RB15, RD16, RC16, RA20, RC23, RB24, RD25, RA25, RC31, RA31, RD34, RB34	
45	8 RC7, RA7, RD: 0.1/5W RC15, RA17, RB21	
46	12 RD7, RB7, RC: 1.5K RB12, RA13, RC14, RB16, RA16, RD17, RC17	
47	18 R1, RB8, RD9, 100 RD10, RC10, RA10, R12, RB18, RD19, RC19, RB19, RD20, RC20, RA21, RA22	
48	4 RC12, RA12, F 220/0.5W	
49	5 RB13, RA14, F 22K	
50	4 RC13, RD14, F 4.7/1W	
51	4 RB20, RD21, F 2.7K	
52	2 RB32, RA30 3K	
53	6 RC32, RA32, F 47K RC46	
54	4 RC33, RA33, F 820	
55	23 R2, R4, R6, R8, 10K R15, R18, R20, R21, R22, R23, R24, R26, RB33, RA35, RD36, RB36, RC38, RD39, RB39, RD42	
56	4 RC37, RA37, F 5.6K	
57	4 RC42, RC43, F 88K	
58	4 RC44, RC45, F 8.2K	
59	2 RD49, RC47 68K	
60	2 RD50, RC48 18K	
61	1 R3 2.2K	
62	1 R5 470k	
63	2 R7, R9 3.3k	
64	1 R10 33K	
65	1 R16 82K	
66	1 R19 1.8K	
67	1 R25 2.4K	
68	4 R29, R31, R36 470/0.25w	
69	2 R38, R30 330/1W	
70	2 R35, R33 100/0.5W	
71	1 R41 470/0.5W	

73	1 T1	RING 5004-A
74	1 U1	TL494
75	1 U2	C25M02C
76	1 U3	C25M02N
77	8 VRB1,VRA1,\50KB	VRC4,VRD5,VRC5
78	4 VRC2,VRA2,\50K	