

## TYPICAL APPLICATION CIRCUIT

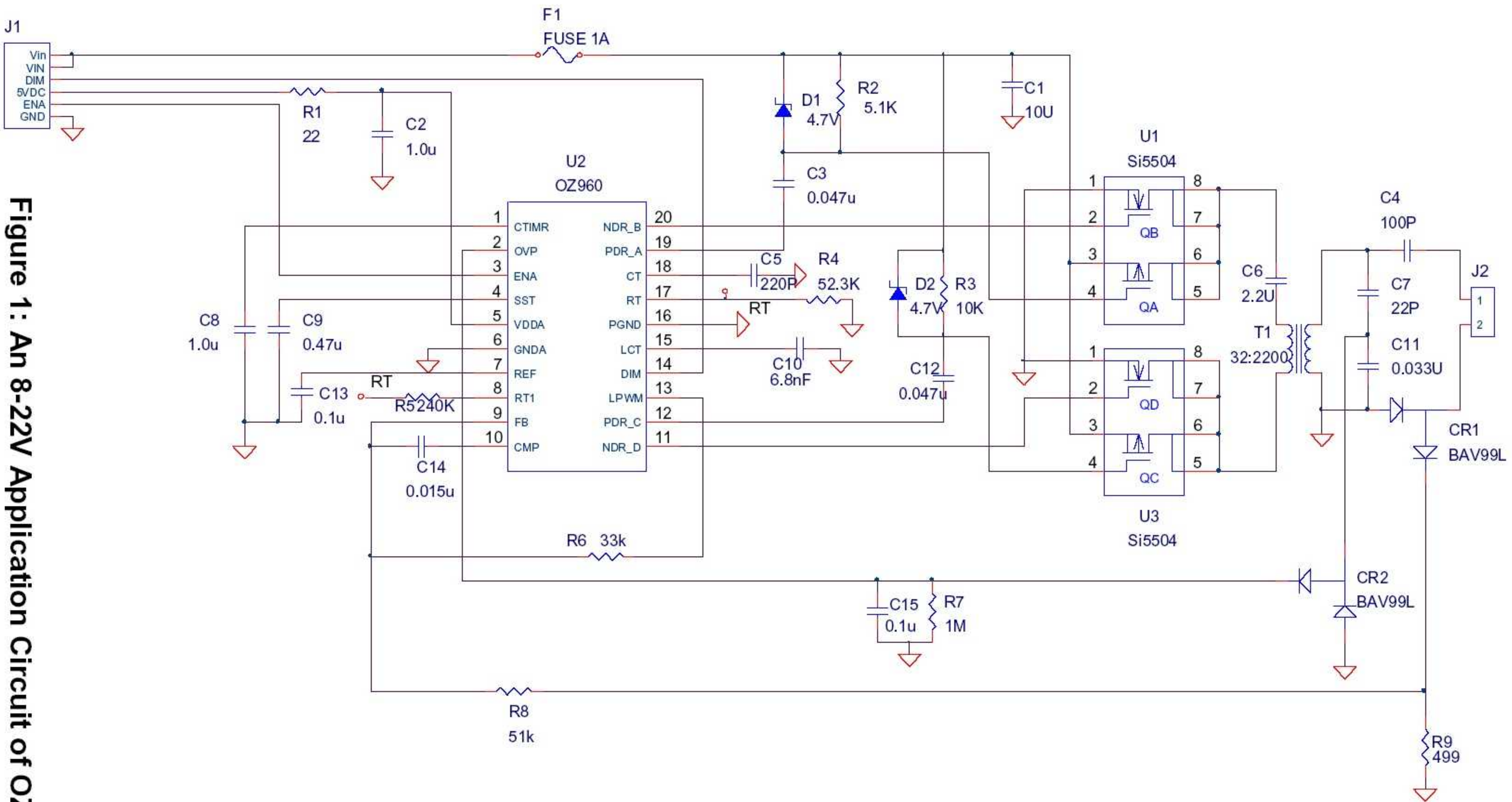
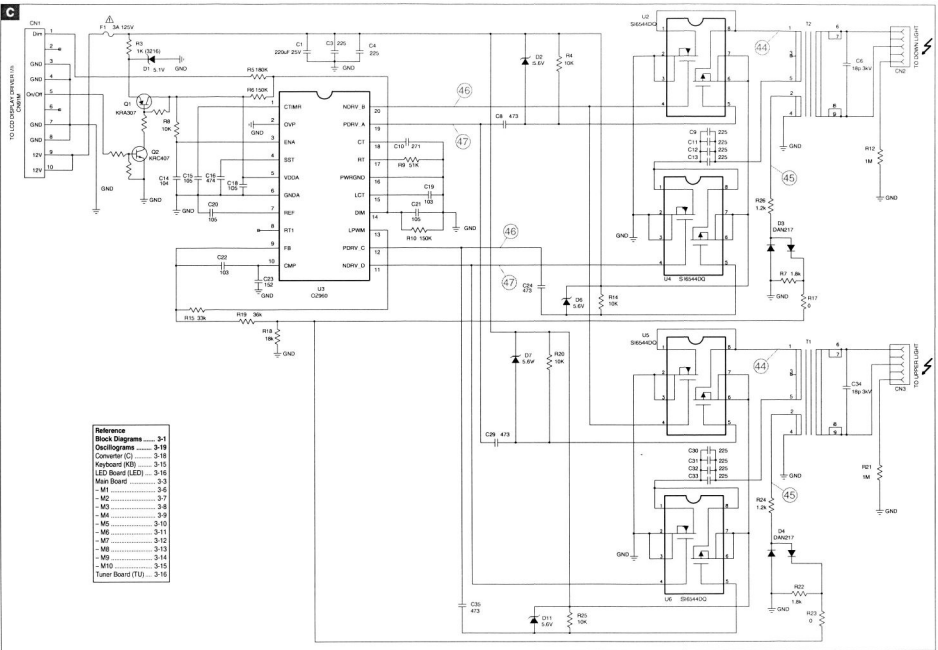
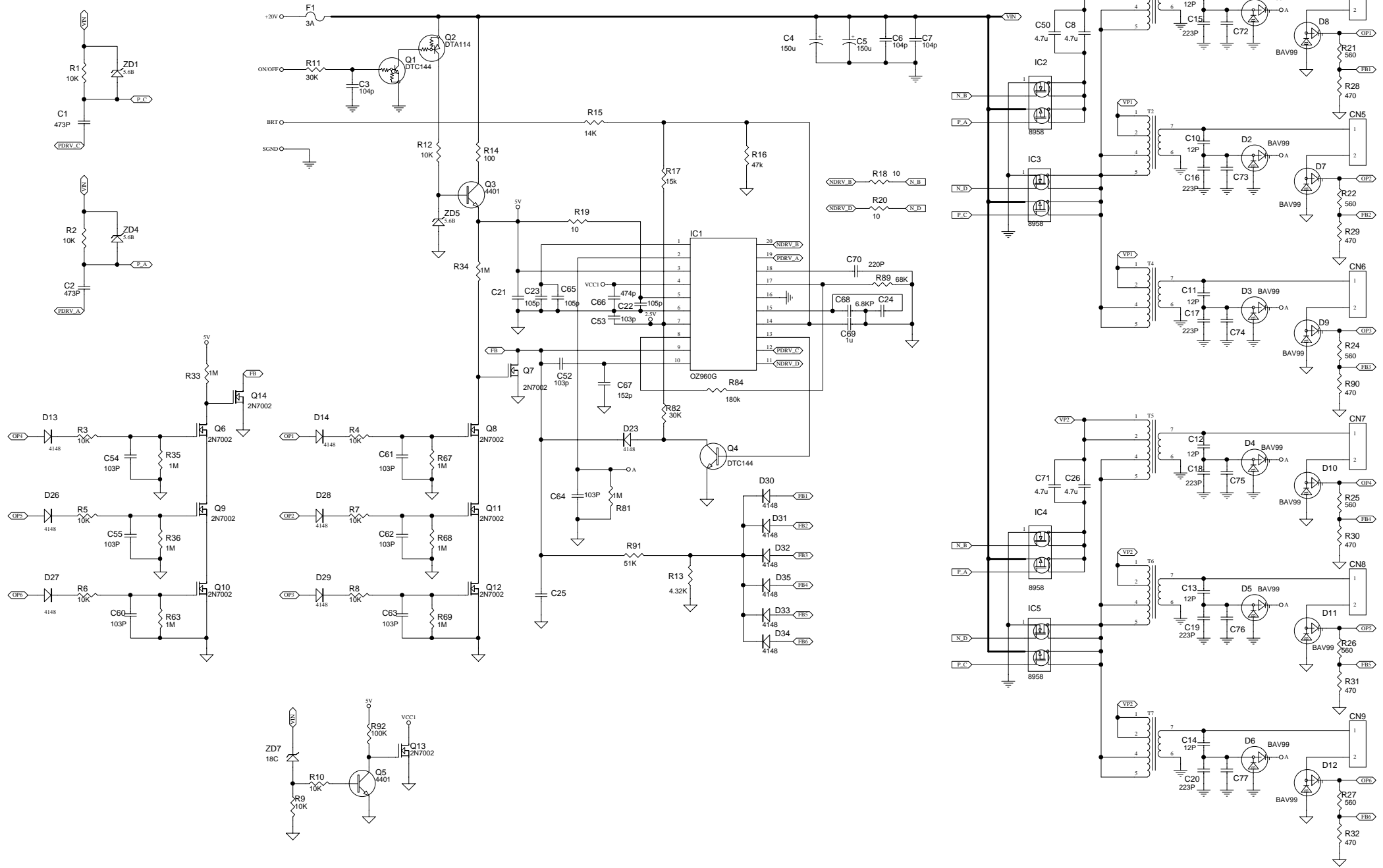



Figure 1: An 8-22V Application Circuit of OZ960

VIN: 8.0V---22V  
 ENA: 0V--1.0V Disable;2.0V---3.3V Enable  
 DIM: 3V Max. Brightness; 1.2V Min. Brightness  
 Striking frequency: 74KHz - 82KHz  
 Operating frequency: 56KHz - 64KHz

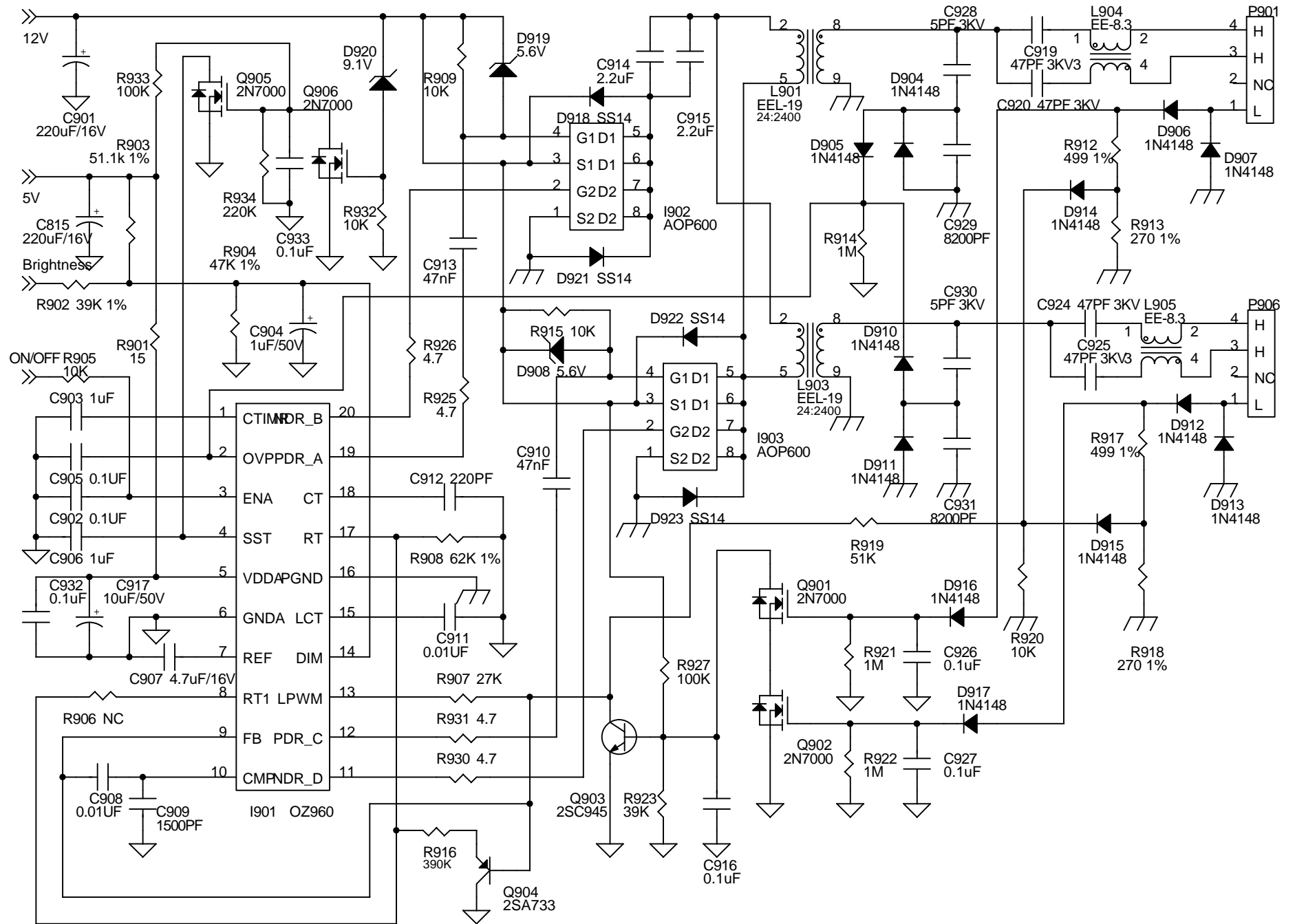


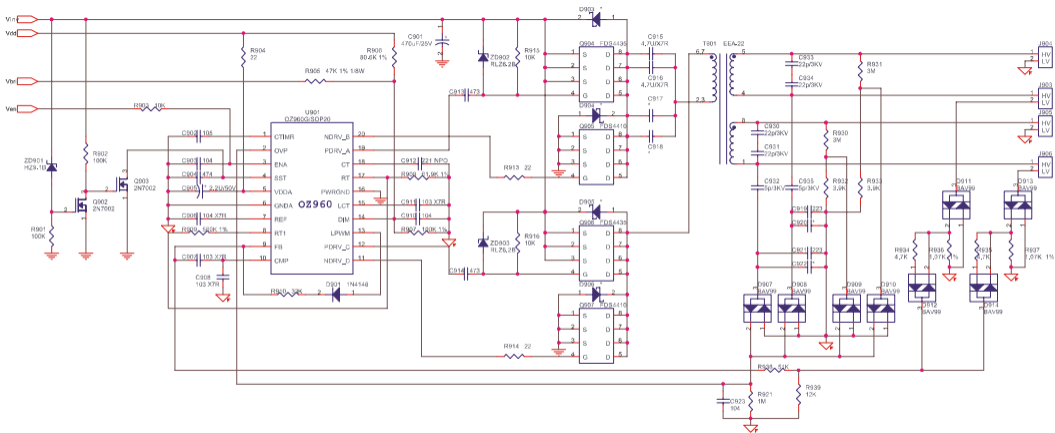


Date:	01/26/05	LY.REV.:	0	Drawn:	JIE	Checked:	Approved:	PART NO.:	REV.	SHEET
PCB:	DAC-12M025 AF ROC0X05	FILE NAME:	DAC-12M025 AF ROC0X05			陈红卫	Van Dong	SK-DAC-12M025	00	2 OF 2
DESCRIPTION:	SCHEMATIC OF INVERTER									
						01/26/05	01/26/05			


**DELTA ELECTRONICS, INC.**  
 THESE DRAWINGS AND SPECIFICATIONS ARE THE PROPERTY OF DELTA ELECTRONICS, INC. AND SHALL NOT BE REPRODUCED OR USED AS THE BASIS FOR THE MANUFACTURE OR SELL OF APPARATUSES OR DEVICES WITHOUT PERMISSION.

# Belinea 101705(111718) Inverter





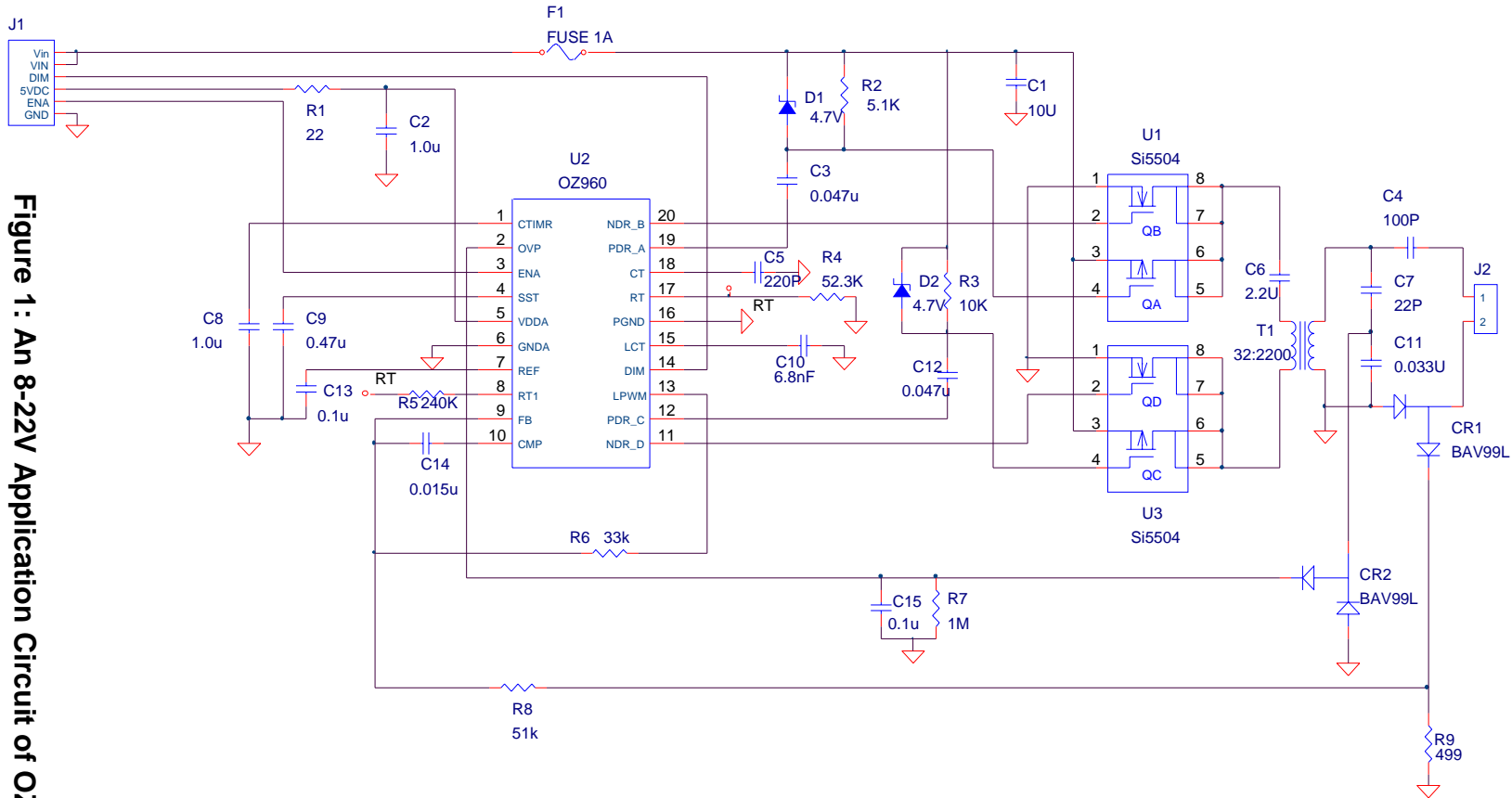


Figure 1: An 8-22V Application Circuit of OZ960