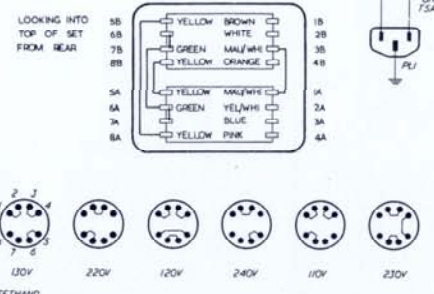
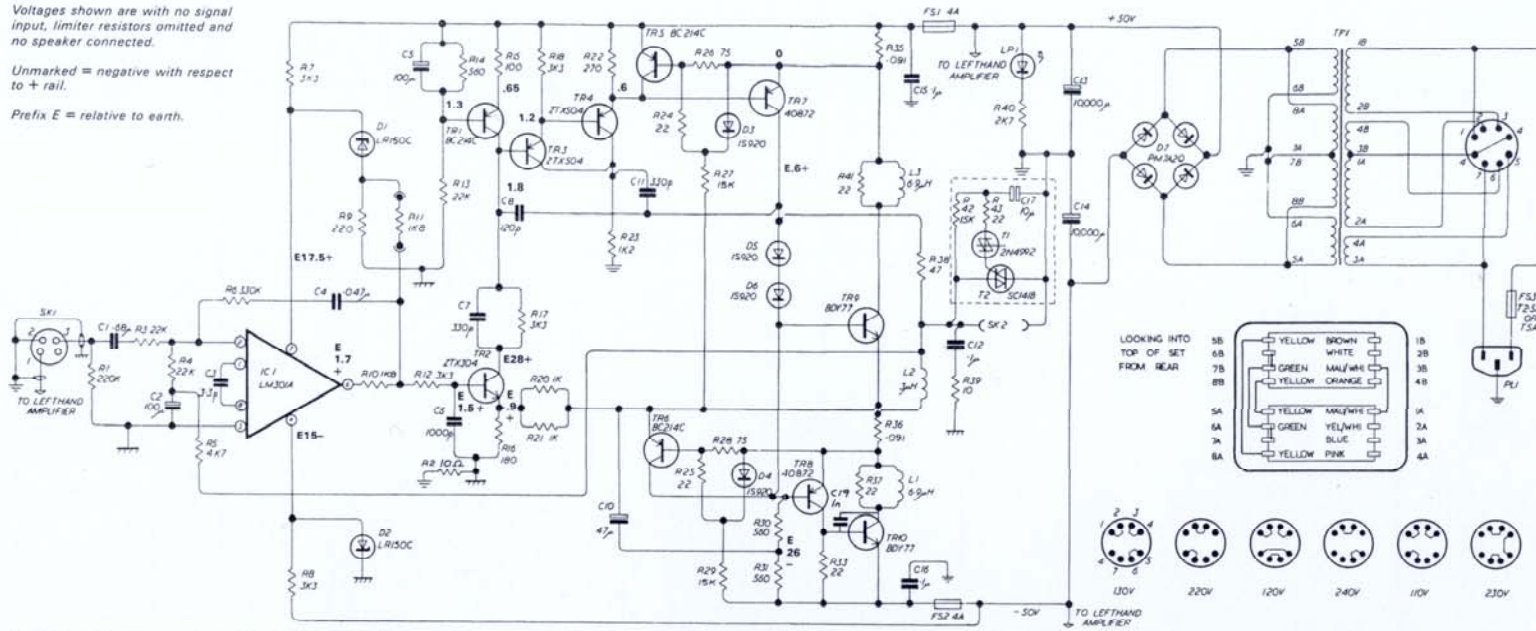


ECARD M1236B ISSUE 10

Voltages shown are with no signal input, limiter resistors omitted and no speaker connected.

Unmarked = negative with respect to + rail.

Prefix E = relative to earth.



No.	Value	Tol	Reference	Stock No.	No.	Value	Tol	Reference	Stock No.	No.	Value	Tol	Reference	Stock No.
R1	220K	± 10%	Resistor	R220KJ1	R27	15K	± 5%	Resistor	R15K0J1	D1	Zener Diode LR150C		D215VAA	
R2	10	± 5%	Resistor	R10R0J1	R28	75	± 5%	Resistor	R75R0J1	C10	47µ		C47U0Z8	
R3	22K	± 2%	Resistor	R22K0J1	R29	15K	± 5%	Resistor	R15K0J1	C11	330P		C330PKJ	
R4	22K	± 2%	Resistor	R22K0J1	R30	560	± 10%	Resistor 2.5W	R560RJ5	C12	0.1µ		C100NKC	
R5	4.7K	± 10%	Resistor	R4K70J1	R31	560	± 10%	Resistor 2.5W	R560RJ5	C13	10.000µ		C10KUTA	
R6	330K	± 2%	Resistor	R330KJ1	R32	22	± 10%	Resistor	R22R0J1	C14	10.000µ		C10KUTA	
R7	3K3	± 10%	Resistor	R3K30J1	R33	22	± 10%	Resistor	R22R0J1	C15	0.1µ		C100NKS	
R8	3K3	± 10%	Resistor	R3K30J1	R34	22	± 10%	Resistor	R22R0J1	C16	0.1µ		C100NKS	
R9	220	± 5%	Resistor	R220RJ1	R35	0.091		Resistor	R8091JY	C17	10µ		C10UJZ8	
R10	1K8	± 10%	Resistor	R1K80J1	R36	0.091		Resistor	R8091JY	C18	1000P		C1N00SA	
R11	1K8	± 10%	Resistor	R1K80J1	R37	22	± 10%	Resistor	R22R0J1	L1	6.9µH ± 20%		L12406A	
R12	3K3	± 10%	Resistor	R3K30J1	R38	47	± 5%	Resistor	R47R0J1	L2	3µH ± 5%		L12406A	
R13	22K	± 2%	Resistor	R22K0J1	R39	10	± 10%	Resistor	R10R0J1	L3	6.9µH ± 20%		L12406A	
R14	560	± 10%	Resistor	R560RJ1	R40	3K7		Resistor 1.6W	R2K70JR	TR1			D8C214C	
R15	100	± 10%	Resistor	R100RJ1	R41	22	± 10%	Resistor	R22R0J1	TR2			D27X304	
R16	180	± 2%	Resistor	R180RJ1	R42	15K	± 10%	Resistor	R15K0J1	TR3			D27X504	
R17	3K3	± 10%	Resistor	R3K30J1	R43	22	± 10%	Resistor	R22R0J1	TR4			D27X504	
R18	3K3	± 10%	Resistor	R3K30J1	R44	22	± 10%	Resistor	R22R0J1	TR5			D8C214C	
R19					R45	22	± 10%	Resistor	R22R0J1	TR6			D8C214C	
R20	1K	± 2%	Resistor	R1K00J1	R46	22	± 10%	Resistor	R22R0J1	TR7			D40B72X	
R21	1K	± 2%	Resistor	R1K00J1	R47	22	± 10%	Resistor	R22R0J1	TR8			D40B72X	
R22	270	± 10%	Resistor	R270RJ1	R48	47	± 5%	Resistor	R47R0J1	TR9			D17556K	
R23	1K2	± 10%	Resistor 1.6W	R1K20JR	R49	10	± 10%	Resistor	R10R0J1	TR10			D11556K	
R24	22	± 10%	Resistor	R22R0J1	R50	22	± 10%	Resistor	R22R0J1	T1			D8S08AA	
R25	22	± 10%	Resistor	R22R0J1	R51	22	± 10%	Resistor	R22R0J1	T2			D728008	
R26	75	± 5%	Resistor	R75R0J1										
					C1	0.68µ		Capacitor 100V	C806NKS					
					C2	100µ	± 10%	Capacitor 3V	C100UME					
					C3	3.3P	± 20%	Capacitor	C3P30KJ					
					C4	0.047µ		Capacitor	SK7NLSJ					
					C5	100µ		Capacitor 8V	C100UZ8					
					C6	1000P		Capacitor 400V	C1N00KC					
					C7	330P	± 20%	Capacitor	C330PKJ					
					C8	120P	± 5%	Capacitor	C120PJ1					