

# 深圳市正方电子有限公司

## 承認書

客户

CUSTOMER:

Electronica

客户料号

CUSTOMER P/N:

4009A452110

品名/规格

DESCRIPTION/SPEC:

EFD16.5 SD3200

文件号

FILE NO:

2009010101

日期

DATE:

2009-01-01

客户承认签章

APPROVAL SIGNATURE

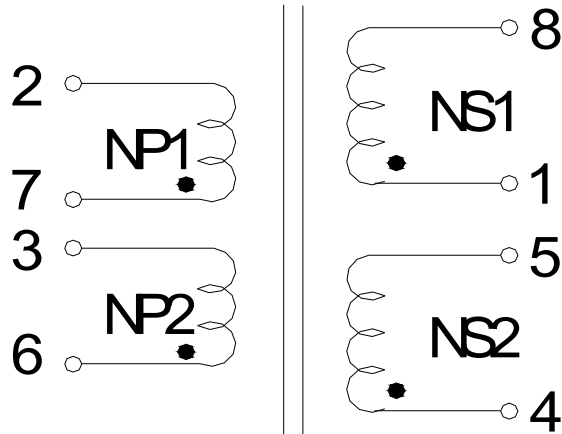
核准	核查	制作
APPROVED BY	CHECKED BY	DRAWN BY
	易彪	刘小玩

# TRANSFORMER

CUSTOMER : \_\_\_\_\_

CUSTOMER P/N 4009A452110	DESCRIPTION/SPE CEFD16.5(SD3200	ISSUE DATE 2009-01-01	TEMP(°C) 20 HUM (%) 60RH
-----------------------------	------------------------------------	--------------------------	-----------------------------

## B. SCHEMATIC:

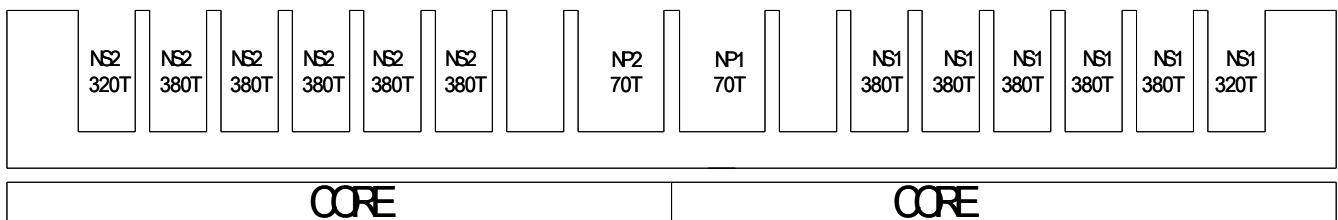


## C. ELECTRICAL CHARACTERISTICS

TEST FREQ: 1KHz 0.25V

INDUCTANCE. WINDING. NUMBER OF TURNS AND WIRE MATERIALS.

WINDING	TURNS(T)	WIRE		INDUCTANC E	DCR ohms	REMARK
		TYPE	INDUCTANC			
NP1(7-2)	70	2UEW-	ϕ0.17	350uH±20%		
NP2(6-3)	70	2UEW-	ϕ0.17	350uH±20%		
NS1(1-8)	2220	2UEW-	ϕ0.04	570mH±10%		
NS2(4-5)	2220	3UEW-	ϕ0.04	570mH±10%	LEAKGE INDUCTANCE	



# TRANSFORMER

CUSTOMER: \_\_\_\_\_

CUSTOMER P/N 4009A452110	DESCRIPTION/SPE C	ISSUE DATE 2009-01-01	TEMP (°C) 20 HUM (%) 60 RH
-----------------------------	----------------------	--------------------------	-------------------------------

## D.HI-POT TEST

TEST ITEM	YOUR SPEC	TEST FREQ	REMARK
NP TO NS	500V AC 1SEC	50Hz/60Hz,1mA	
NP TO CORE	1000V AC 1SEC	50Hz/60Hz,1mA	
NS TO CORE	1500V AC 1SEC	50Hz/60Hz,1mA	

## E.NOTE

- 1.骨架与磁芯接触点透明硅胶共4条;
- 2.线圈刷漆;
- 3.成品顶部印字 "4009A452110".

**lead-free**

# TRANSFORMER

CUSTOMER:

CUSTOMER P/N 4009A452110	DESCRIPTION/SPE C EFD16.5(SD3200)	ISSUE DATE 2009-01-01	TEMP(°C)20 HUM (%) 60RH
-----------------------------	--------------------------------------	--------------------------	----------------------------

## F.MATERIAL LIST

Item	Name, function description			Manufacturer	Certification		
	Func.	Generic	Trade		94V	°C	UL NO.
Wire			UEW-155P	DaLian Fuji Fine CO.,LTD.	--	155	E81427
			UEW-130B	DaLian Fuji Fine CO.,LTD	--	130	E81427
Tape		Kapton	#92	Shen Zhen ZhongHaiXin Electronicsco.,LTD.	--	180	E229667
Core	EFD16.5	6H20		Nan Jing JinNing San Huan FDK CO.,LTD.	--	--	---
	EFD16.5	K2.3P		He Shun Magnetic Current Electronics Co.,LTD	--	--	---
Bobbin	EFD16.5	LCPE-4008		Sumitomo Chemical Co.,LTD.	V-0	130	E54705(M)
		LCPE-4008		TaWin Charmwin Electronics Co.,LTD	V-0	130	E54705(M)
Resin	Epoxy	3300HL		DongGuan CiTy Eatto Electronic Material Co.,LTD	--	--	E218090
		HT902B		Guang Zhou HuTiaiefine chemical CO.,LTD.	--	--	
impregna nt	FLUX	530LF		Marco Technology corporation	--	--	
	FLUX	SK-836		Shen Zhen Yan Hoi industry CO.,LTD.	--	--	
stannum	stannum	Sn99.90Cu 0.7		云南锡业股份有限公司			