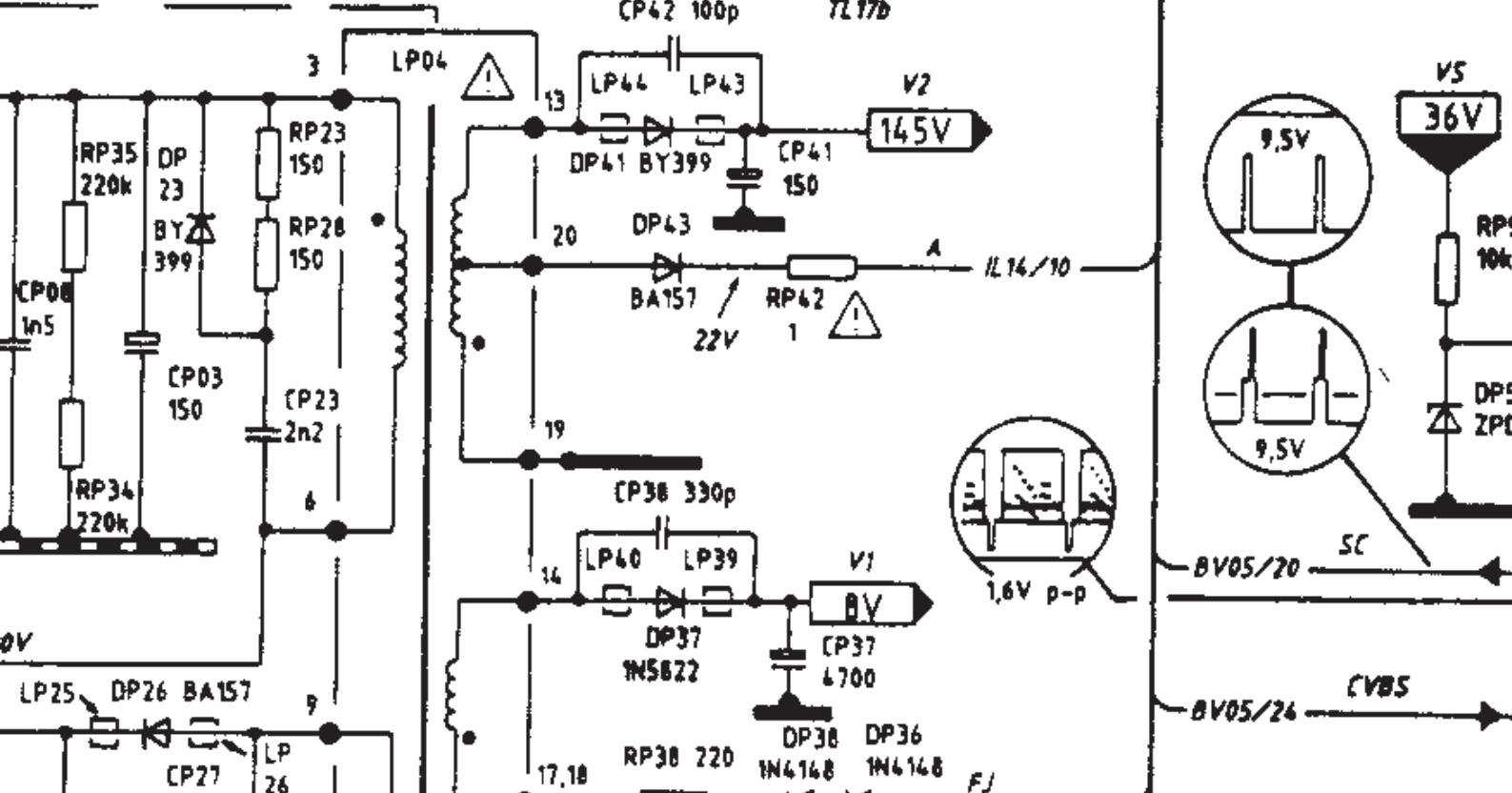


Info

P. R.16/0/10/19

CP42 100p TL17D



0V

V2

14.5V

A 1L14/10

22V

V1

9V

1.6V p-p

V5

36V

9.5V

9.5V

BV05/20

CVBS

SC

17,18

FJ