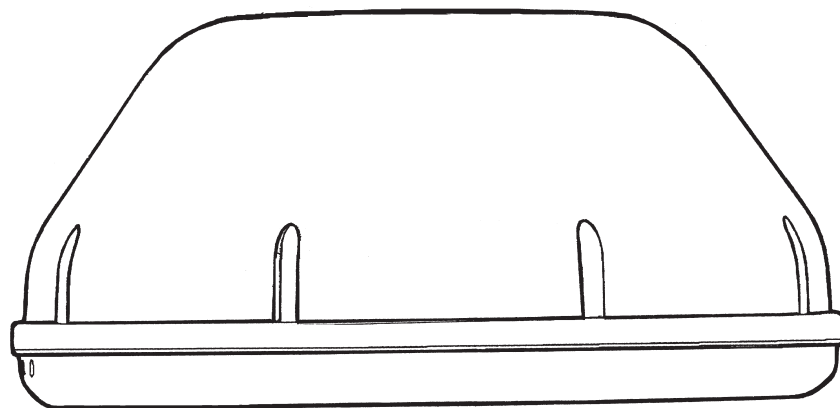
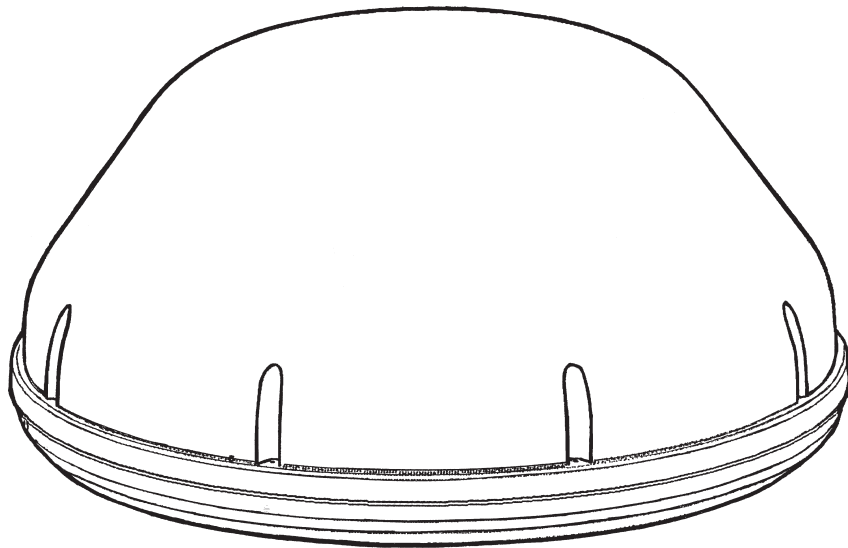


# WINEGARD®

## Movin' View™

### Digital Satellite Mobile Antenna for Two Receivers Model MV3500A

Made in the U.S.A. U.S. Patent Nos. 6,023,247; 6,188,300



---

Winegard Company • 3000 Kirkwood St. • Burlington, IA 52601-2000  
319/754-0600 • FAX 319/754-0787 • [www.winegard.com](http://www.winegard.com)  
Printed in U.S.A. © Winegard Company 2005 2452063 Rev. 5/05

# Introduction/How Does Digital Satellite TV Work?

About this manual — We hope this manual will provide clear instructions to install and operate MV3500A. Two symbols have been used —



Indicates caution should be taken!



Indicates suggestions to make processes easier for you.

## Introduction

Congratulations! You have purchased one of Winegard's latest developments in the mobile satellite reception product line — the Movin' View™. This system, used with your digital satellite receiver, will deliver the best reception possible.

## How Does Digital Satellite TV Work?

Satellite programming originates from an "uplink" facility on Earth — the facility receives many signals from different sources, combines the signals digitally and transmits to the satellites. The satellites (22,300 miles above Earth) receive the uplink signal, amplify it and then transmit it back to earth in the Ku frequency band. This signal is concentrated and reflected to the LNBF\* located at the "focal point" of the dish. The LNBF amplifies and converts the signal to the 950 to 1450 MHz range. The signal is then passed through a coaxial cable to the receiver where individual channel selection and processing take place.

\* Low Noise Block Converter Feed

For Programming information call:

**DISH NETWORK® - 1-800-333-DISH (1-800-333-3474)**

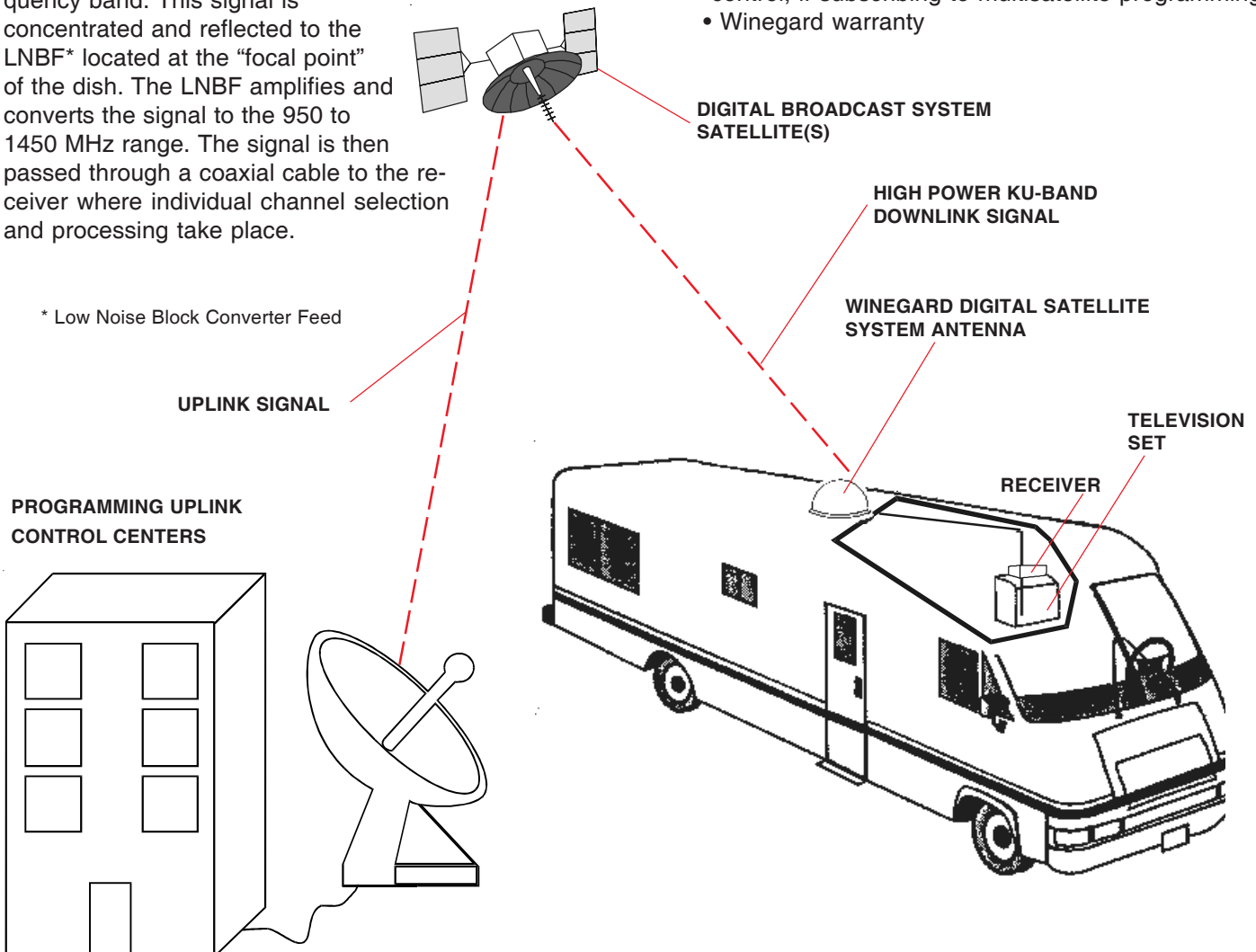
**DIRECTV® - 1-800-DIRECTV (1-800-347-3288)**

**EXPRESSVU® - 1-888-SKYDISH (1-888-759-3474)**

Your new Winegard RV Digital Satellite System is an easy-to-use satellite TV reception system. Because it mounts on the top of your recreational vehicle, it goes where you go and provides quality reception of digital satellite signals. Check with your program provider for exact coverage area.

**MV3500A features:**

- Easy "one-button" operation
- Compatible with most digital satellite receivers
- Ability to toggle between satellites using remote control, if subscribing to multisatellite programming
- Winegard warranty



# Quick Reference Guide

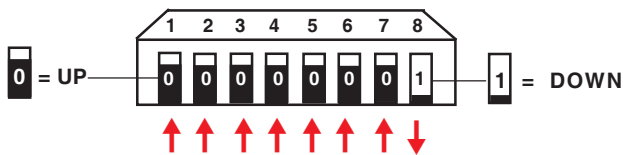
## NOTICE!

This model is PRESET for DIRECTV® receivers.

If you have a DISH Network® or ExpressVu® (Canada) receiver, you must change the numbered switches inside the dome.

### TO CHANGE SWITCHES INSIDE DOME —

1. Remove screws holding dome to base and remove dome. Place dome in safe spot to avoid damage. Switches will be set at 101° for DIRECTV®. You may be changing these switches.



(#1 represents Switch DOWN; #0 represents Switch up)

Sat. Rcvr.	Mt. Option	Switch Set Position							
		1	2	3	4	5	6	7	8
DIRECTV (FACTORY PRESET)		0	0	0	0	0	0	0	1
DISH NETWORK		0	0	0	1	0	0	1	1
ExpressVu		0	1	0	1	1	0	1	1

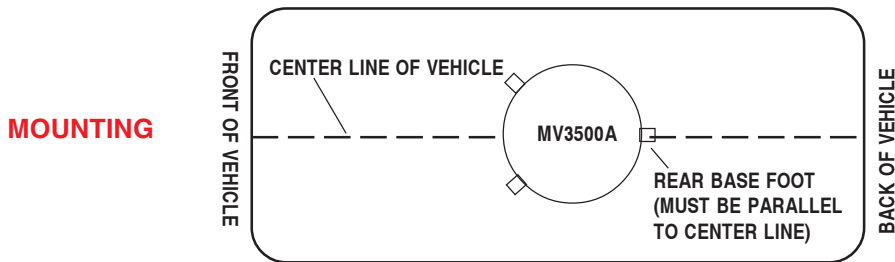
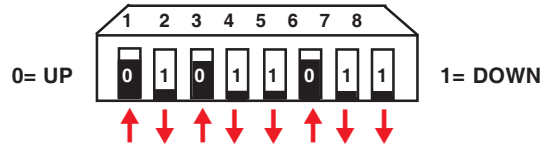
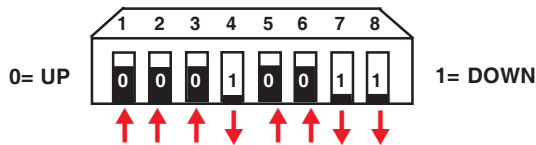
**SWITCH SETTINGS SHOWN BELOW**

0= UP    1= DOWN

2. Determine which programming you will be using. This will determine how you set your switches.

For DISH Network set switches to 119°.

For ExpressVu®, set switches to 091°.



## OPERATION (VEHICLE MUST BE STATIONARY!!)

1. Turn on receiver and television set. The MV3500A must be connected to a receiver that is plugged into 120 VAC.
2. Verify that you are getting the receiver's menu screens on the television. These screens are available with or without the dish finding the signal.
3. Turn the power switch on for the MV3500A. The dish will detect if it is already on a satellite signal. If it detects a signal, the dish will move to check its alternate satellite and then move back to the original satellite signal that it was on.
4. If no signal was detected, the dish will begin its search to locate the primary satellite. Once the dish locates a signal, it will pause long enough to identify which satellite it has located. This may or may not be

visible on your receiver's point dish screen.

5. After the unit has verified that it has the correct satellite, it will move to check the alternate satellite and move back to the primary satellite to complete the search routine.

6. If you do not have signal, see *Troubleshooting*, p.11.

**NOTE:** Because the MV3500A uses information from the last location that it was on a signal, satellite acquisition may take longer if the dish is inactive over long distance traveling.

DirecTV must be set to the "two" satellite, oval dish setting. Refer to your receiver manual.

DISH Network receivers must have the check switch set for "SW42". See page 4.

## To toggle between satellites when subscribing to multi-satellite programming—

The MV3500A will toggle between the primary and secondary satellites for either DISH Network or DIRECTV. Both have programming on more than one satellite. When a channel is selected on the remote control and is not on the satellite currently selected, the unit will automatically toggle to the correct satellite.

### DIRECTV programming

1. DIRECTV receivers must be set for oval dish 2 sat selection to enable toggling between primary 101°W satellite and alternate 119°W satellite only. (Consult receiver manual for procedure.) After receiver is set for the correct dish selection, when you request a channel located on a different satellite, the unit will automatically toggle to that satellite.

### DISH Network programming (DISH 500)

DISH Network receivers must have the “SW42” switch installed in order to toggle between the primary 119° satellite and the alternate 110° satellite. (Consult your receiver manual for the procedure to reach the “check switch” menu.)

#### To install the “SW42” switch:

1. Before turning on your MV3500A system, make sure that your satellite receiver and television are turned on and your receiver is on the “point dish” menu. (Consult your owner’s manual to reach this menu.)
2. Turn on the MV3500A system and wait for signal acquisition on satellite 119°.
3. After signal is acquired, you have 6 minutes to complete Check Switch test. Consult your receiver manual for instructions on running this test. Be sure that Superdish and Alternate are unchecked if applicable. Onscreen options may vary by receiver.
4. During the Check Switch Test, the receiver will begin checking the switch by toggling between satellites. When this is completed, SW42 will appear on the screen. It will be at the top of the screen, satellite designations will be below, showing odd and even transponders. See illustration.

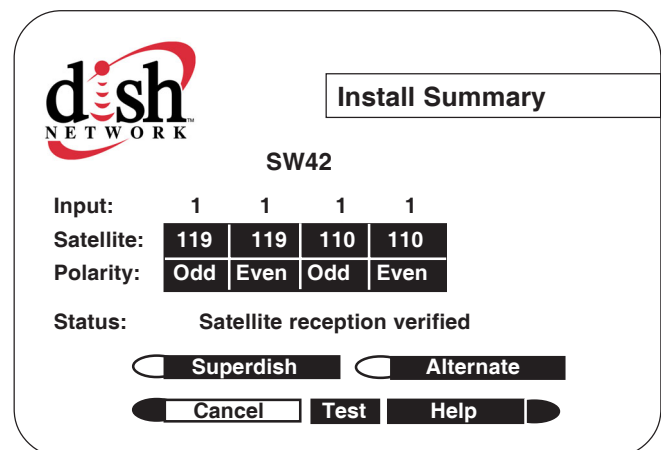
**If a switch other than SW42 appears, or you have an X in one of the boxes below the satellites, repeat Check Switch Steps.**

5. Your system is now set up to toggle between satellites. It will automatically move to the correct satellite when a channel is selected with your remote control.

**NOTE: Once these steps are completed, you won’t have to perform this test again, unless Check Switch was performed on another satellite dish, such as a home dish.**



**Toggle:** Your Winegard automatic satellite dish will move from the primary to the alternate satellite in order to receive multi-satellite programming.



Check Switch screen display

**NOTE: Be sure the “Superdish” and “Alternate” boxes ARE NOT checked.**

## Parts Included • Tools Needed • How to Unpack

### **PARTS INCLUDED:**

1 Radome  
1 Power switch  
1 Wall plate (white)  
1 Surface mount box  
1 Cable entry plate  
3 Base feet  
large yellow spade connector  
2 small red spade connectors

All required screws, washers, bolts, and nylocks  
1 base with electronics, dish, dual LNBF  
Silicone sealant  
Surface Wipes  
30' Coax Cable  
30' Power Cable

### **TOOLS NEEDED FOR UNPACKING & INSTALLATION:**

Level  
Drill w/3/4" bit  
1-1/4" hole saw (if mounting switch in wall)  
Phillips screw driver #2

3/8" Open end wrench  
7/16" Open end wrench  
Sealant (consult RV manufacturer for proper type for your roof material)

### **UNPACKING THE UNIT**

1. Open box and remove packing material.



If using knife to open carton, **BE CAREFUL**. Do not cut the dome on the unit.



**BE CAREFUL** when removing unit. Dome is attached to base by only 3 pieces of tape, **NOT BY SCREWS**.

2. Lift dome out of box vertically. Then lift unit out of box vertically. **Do not turn box and "roll" out, or turn upside down to remove.**

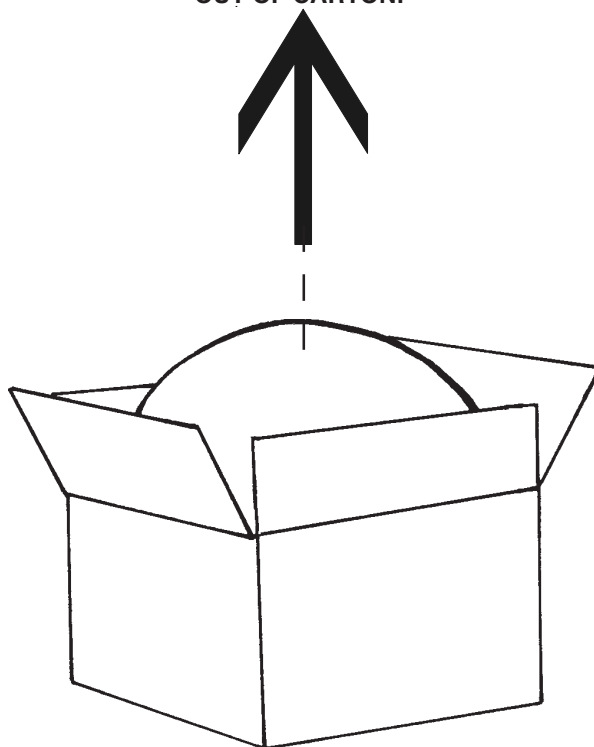


**USE 2 PEOPLE** when removing the unit from the carton.



**DO NOT PAINT DOME!** Painting dome will cause signal degradation.

**LIFT UNIT STRAIGHT UP  
OUT OF CARTON!**





## Installing unit on roof of vehicle —

Install in DRY conditions only!



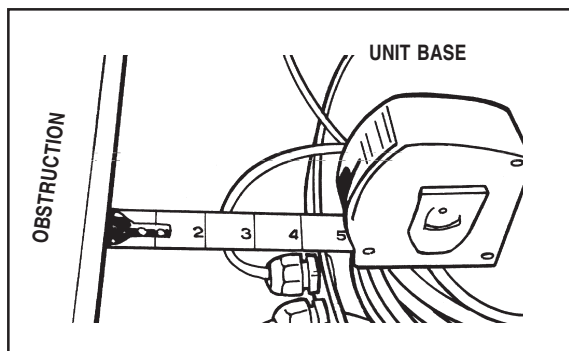
**IMPORTANT! Do not install this system in the rain, or under any wet conditions.** Moisture may affect electronics and void your warranty!

1. For best performance and to reduce signal acquisition time, park vehicle on a level surface; level the RV.
2. Select a level spot on your roof for installation.

Using the chart, determine the **minimum** distances to other equipment.

Obstruction Ht.	Unit Clearance
8"	4"
10"	11.5"
12"	19"
15"	32"

FIGURE 3



**WARNING:** Level the base front to back and side to side. If base is not level the MV3500A may require more time to locate the correct satellite or may not locate the correct satellite.

- Be sure no roof-mounted equipment is blocking the satellite "line of sight", Fig. 3
- You will need to decide where the wires will enter the vehicle. A coax and a power wire (minimum 16 gauge) will need to be run into the vehicle.

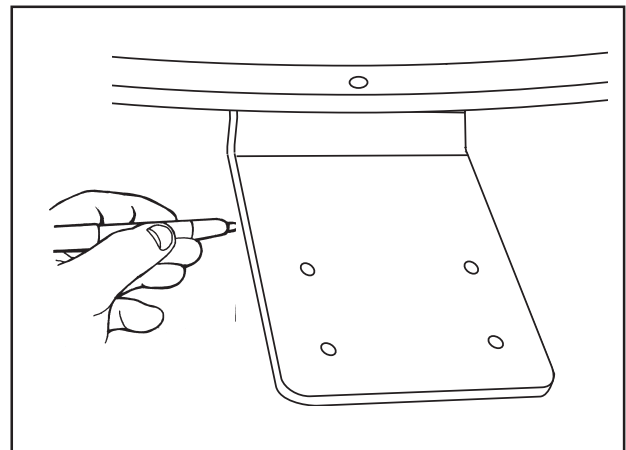
**WARNING:** Many +12VDC sources can cause the unit to fail. Select a filtered source, preferably a dedicated line to the battery.

3. Remove dome. Place dome in safe spot to avoid damage. Place base on vehicle roof in the location selected.
4. Attach each mounting foot to base by securing with two 7/16" nylocks. See page 5 for foot locations.
5. After selecting location for unit (see number 2), put the unit on the centerline of the vehicle.

**REAR MOUNTING FOOT MUST BE PARALLEL WITH THE CENTER LINE OF VEHICLE.** See pg. 5.

6. Place the unit on the roof in its permanent location and mark around the base bracket, Figure 4. (Make sure the **rear adjustable base foot is parallel with the center line of the vehicle.** Refer to page 3, Figure 1A ).

FIGURE 4



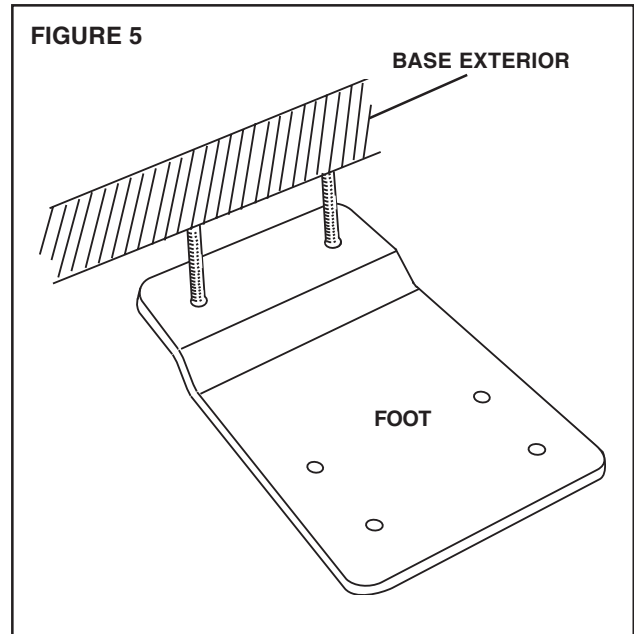
## Installation

---

7. Clean roof area where the base feet will be attached to the roof. Do not erase your marks!

8. Put approved sealant in the areas marked for the base feet. Place base feet on top of the sealant and screw down with the (4) #10 screws (provided) for each foot.

9. After all base feet are secured to roof, put sealant around edge of feet and over screws. Replace base on screws and reinstall nut.





# Installation

## Cable entry installation —

1. Decide the best **location for the cables** to enter the vehicle, *and* the **location of the power switch and receiver** (see “Installing the switch and receiver” on pages 9 and 10). Drill a 1/2” hole in the roof, push wires inside. Make proper connections. **You must have filtered +12 VDC power source.**
2. Place cable-entry plate over hole and cables. Screw in place. Seal plate and screw holes with approved sealant (not included).
3. Depending on the length of the cable on the roof, you may need to use cable clamps or wire ties (not provided) between the unit and your cable-entry plate. Clamping the cable every 12”-16” should eliminate any unnecessary cable movement, Figure 6.

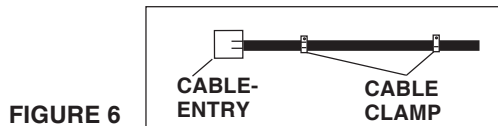


FIGURE 6

## INSTALLING THE DOME

Insert screw in holes on dome rim. Be sure bolt is vertical; not tilted to side. Tighten to 20 in.-lb., or approximately until washer is visible around screw head.

QUADREX SCREW WITH RUBBER WASHER (USE #2 PHILLIPS)

**CAUTION:**  
**DO NOT OVERTIGHTEN!!**

## INSTALLING THE POWER SWITCH

1. Choose a location to install the MV3500A power ON/OFF switch. Remember when selecting a location that you will need to run the +12VDC power cable from the MV3500A to the switch. **Be sure the switch is in the OFF position before continuing.** See Figure 7 page 9.

**Wall or panel mount:** Drill 1-1/4” hole, pull wires through wall or panel.

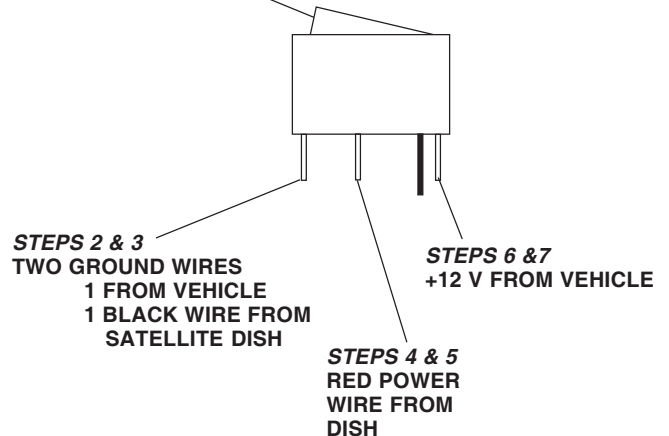
**Surface mount:** Determine location and direction of box. Mount box and feed wire into one of the box openings. Snap the rocker switch into the switch plate. **Be sure switch is off!**

2. Connect the ground wire from the vehicle and the BLACK ground wire from the MV3500A together, using large yellow spade connector.
3. Connect the YELLOW spade connector to the silver spade on the switch.
4. Connect the RED wire from the MV unit to the small RED spade connector.
5. Connect small RED spade connector to center spade on switch.
6. Connect the +12 V power wire from the vehicle to a small RED spade connector.
7. Connect small RED spade connect to isolated spade on switch.

## INSTALLING THE POWER SWITCH DIAGRAM

FIGURE 7

ON/OFF ROCKER SWITCH WITH LIGHT  
(Shown in OFF position.)



Terminals on switch have to be bent to fit in surface mount box.

## Installation • Wiring

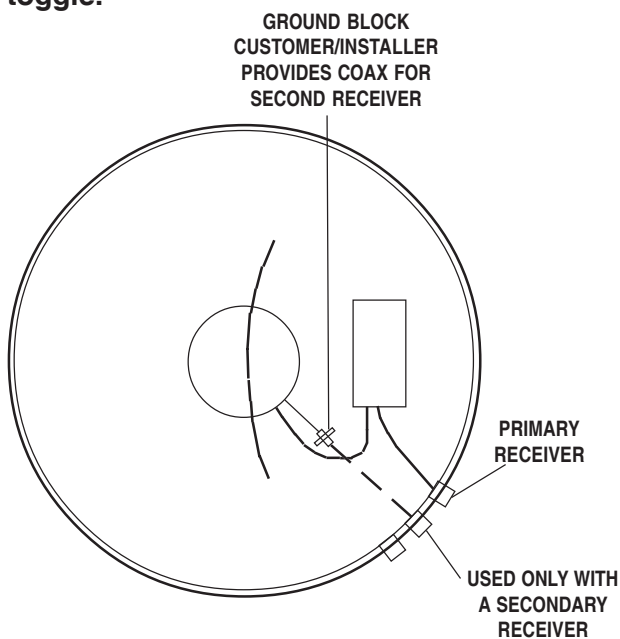
### Connecting the receiver —

#### Connecting one receiver

1. Connect the coax cable from the MV3500A to the “SATELLITE IN” on the receiver.

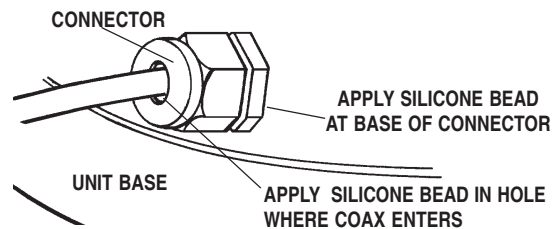
#### Connecting two receivers

1. Connect the coax cable coming from the MV3500A to the “SATELLITE IN” input on the primary receiver. The primary receiver is the receiver used most often and will toggle between satellites.
2. Run a second cable through the empty Heyco opening and connect to the ground block-type feed through and connect the other end of this cable to “Satellite IN” input on the second receiver. **NOTE: Secondary receiver will not toggle.**



### Initializing & replacing the dome after connecting the receiver(s) —

1. Be sure vehicle is in a location free of all obstructions and with a clear view of the satellite.
2. Power up unit, turn on receiver. **Verify that the correct satellite is found. Refer to page 3 for detail of operation.**
3. Install dome. **NOTE:** After connectors are tightened, **apply bead of silicone around the connector** where the exterior hex nut touches the base and **around the cables** where they enter the connector on the exterior of the unit. See drawing below. **If second receiver is not used**, apply silicone to seal center hole of third connector. See drawing below.



## PROBLEM

## SOLUTION

The MV3500A does not attempt to find a satellite or it never moves.

1. Check your Power switch to verify that it is in the **ON** position.
2. Check +12 V wires at unit to verify power. Check fuse on electronics.

The dish never stops on any of the signals that it sees.

1. Make sure that your receiver is set up correctly.  
For DISH Network, the check switch should read either "**Unknown**" or "**SW42**".  
For DirecTV the receiver should be set for a **Two Satellite Oval Dish**.

With DIRECTV, the dish will find the alternate satellite but it never finds the primary satellite.

Make sure that the Switches on the Electronics Control Box are set for DirecTV. See page 3. These switches are found under the dome, inside the Electronics Control Box.

I am not getting all the DISH Network channels I subscribed to.

1. Go to the check switch menu in receiver. Make sure that it's set for SW42 and lists both even and odd transponders on satellites 110 and 119.

The MV3500A never sees any signals, it just keeps searching.

1. Rain, Snow or excessive Dew on the dome can interrupt the signal. Snow and Dew can be brushed off the dome. If Heavy rain or Snow fall is blocking the signal, it may be necessary to wait until the weather clears.
2. Check to see if the Southern sky is clear. Trees, Buildings, Large signs or an Overpass can block the signal. Find an area where you can be sure that this is not the problem and try again.
3. Make sure the receiver has power and the satellite dish is connected to the "Sat In".

# Specifications & Warranty

---

## *Features and specifications*

- One button operation.
- Depending on receiver type, you can access satellites 119°, 110°, 101° or 92°.
- No user input required.
- No data port required for DISH Network®, DIRECTV® or ExpressVu.
- Elevation range 18° to 74.5°; azimuth +360° (0-720°)
- 30' power cable and 30' coaxial cable included.
- Dome UV protected.
- Compact size —  
32" diameter, 15-3/4" height  
Weight of unit - 28 lbs.  
Shipping weight - 41 lbs.
- Operating temperature  
-13°F to +140°F

### **TWO YEAR LIMITED WARRANTY**

Winegard Company warrants this Winegard product (excluding receiver) against any defects in materials or workmanship within two (2) years from date of purchase. No warranty claim will be honored unless at the time the claim is made, you present proof of purchase to an authorized Winegard dealer (if unknown, please contact Winegard Company, 3000 Kirkwood Street, Burlington, Iowa 52601-2000, telephone 319-754-0600).

Winegard Company (at its option) will either repair or replace the defective product at no charge to you. This warranty covers parts, but does not cover any costs incurred in removal, shipping or reinstallation of the product. This limited warranty does not apply if the product is damaged, deteriorates, malfunctions or fails from: misuse, improper installation, abuse, neglect, accident, tampering, modification of the product as originally manufactured by Winegard, usage not in accordance with product instructions or acts of nature such as damage caused by wind, lightning, ice or corrosive environments such as salt spray and acid rain.

The Two Year Warranty is provided on the condition that the equipment is properly delivered with all handling and freight charges prepaid to your Winegard dealer for repair or return to our factory at the above address. Winegard dealers will arrange for the replacement or repair and return to you, without charge, the product which failed due to defective material or workmanship.

WINEGARD COMPANY WILL NOT ASSUME ANY LIABILITIES FOR ANY OTHER WARRANTIES, EXPRESS OR IMPLIED, MADE BY ANY OTHER PERSON.

ALL OTHER WARRANTIES WHETHER EXPRESS, IMPLIED OR STATUTORY INCLUDING WARRANTIES OF FITNESS FOR A PARTICULAR PURPOSE AND MERCHANTABILITY ARE LIMITED TO THE TWO YEAR PERIOD OF THIS WRITTEN WARRANTY.

The foregoing shall be the sole and exclusive remedy of any person whether in contract, tort or otherwise, and Winegard shall not be liable for incidental or consequential damage or commercial loss, or from any other loss or damage except as set forth above.

Some states do not allow limitations on how long an implied warranty lasts, or the exclusion of limitation of incidental or consequential damages, so the above limitations or exclusions may not apply to you.

This warranty gives you specific legal rights and you may also have other rights which vary from state to state.

