

5.11. RN Mechanism Ass'y (D01)

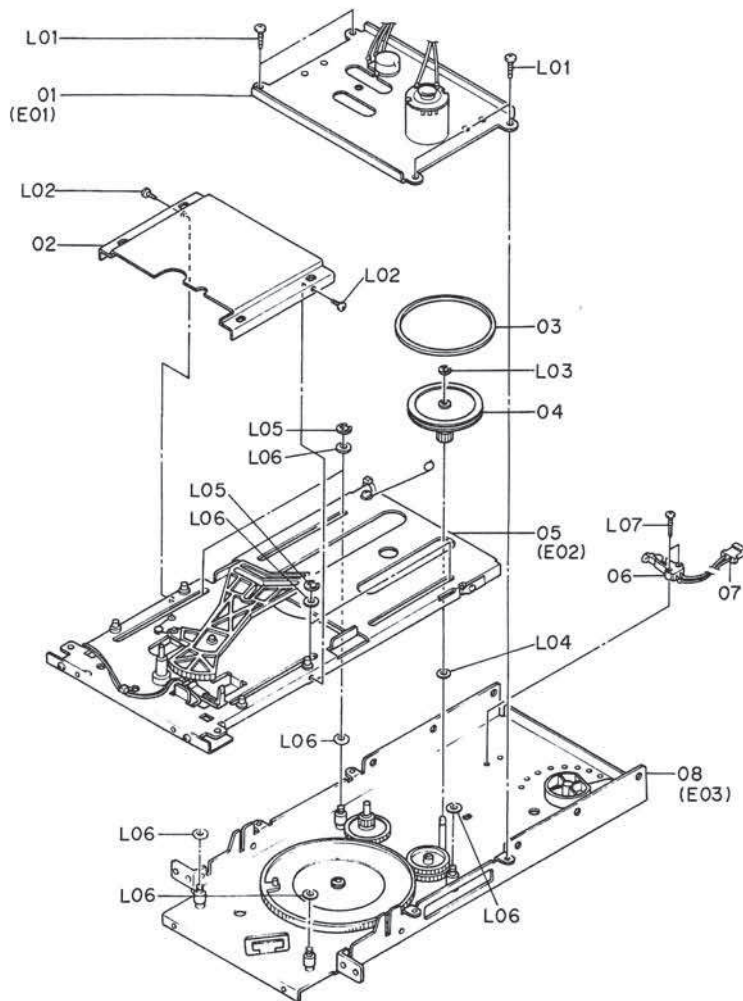


Fig. 5.11

5.12. Mechanism Ass'y RX505 (D02)

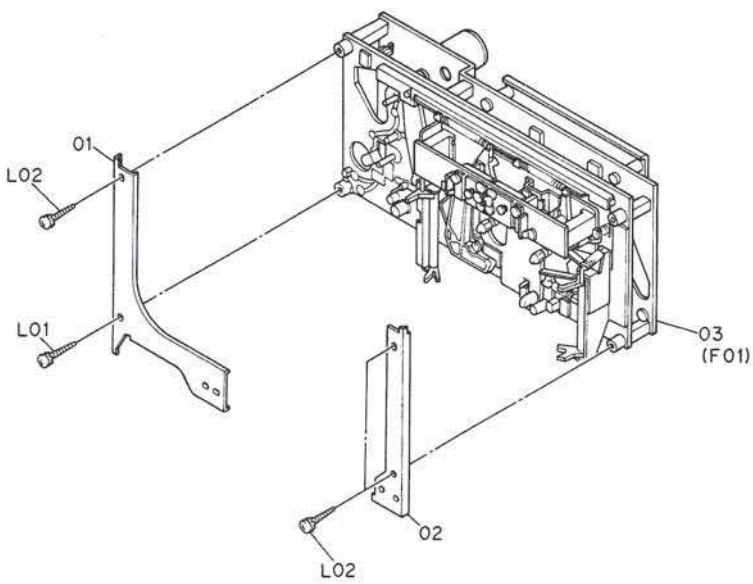


Fig. 5.12

5.13. Motor Holder Ass'y (E01)

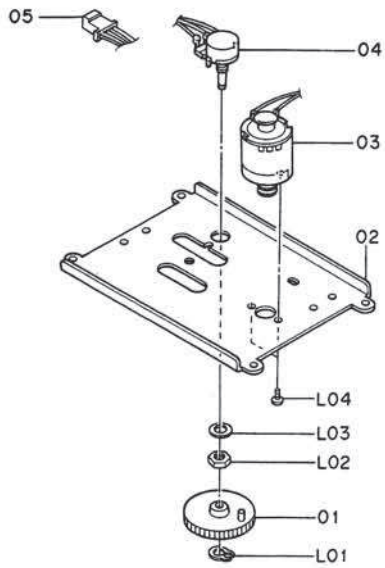


Fig. 5.13