

# TV signal processor-Teletext decoder with embedded $\mu$ -Controller

## TDA935X/6X/8X series

### BLOCK DIAGRAM

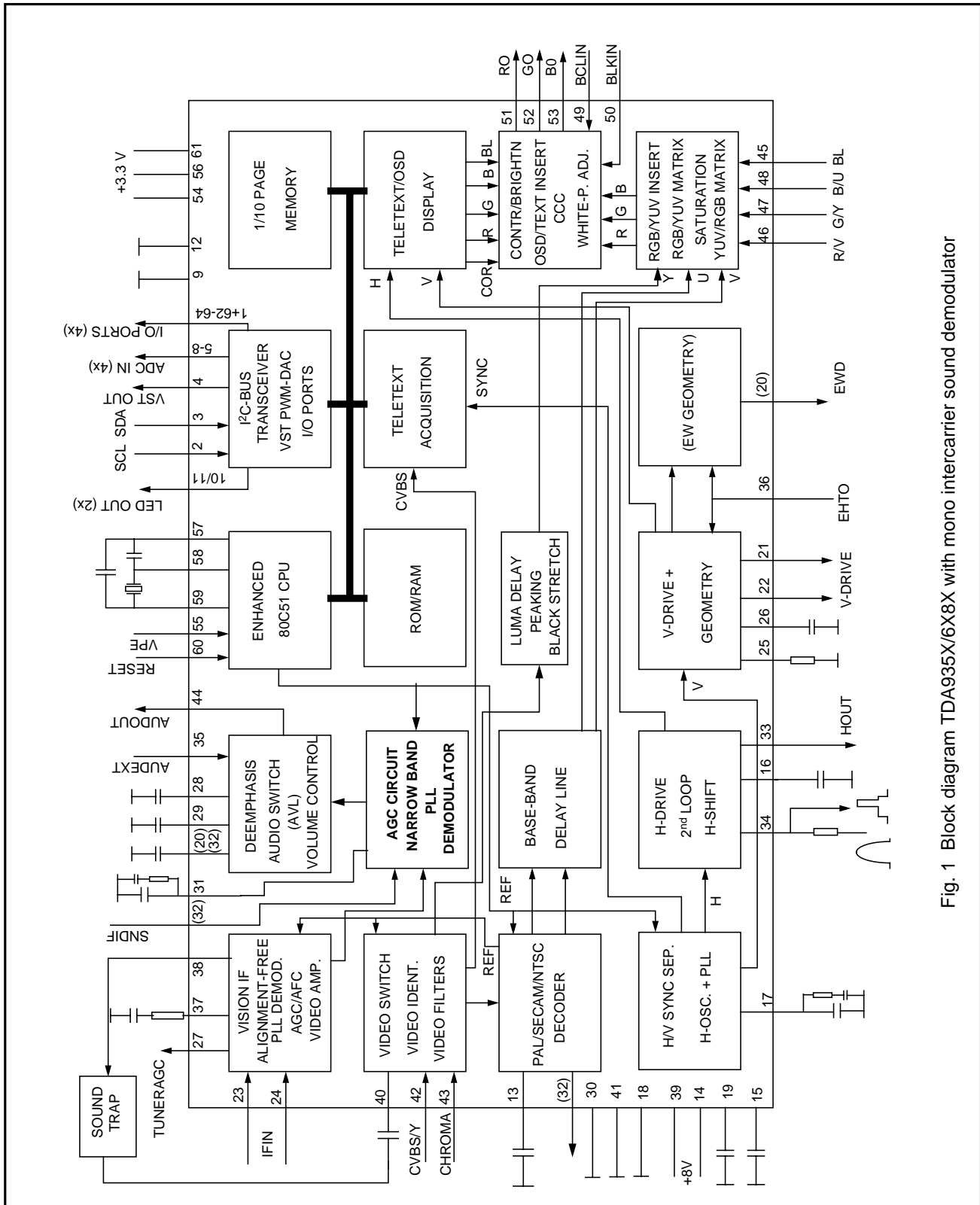


Fig. 1 Block diagram TDA935X/6X8X with mono intercarrier sound demodulator