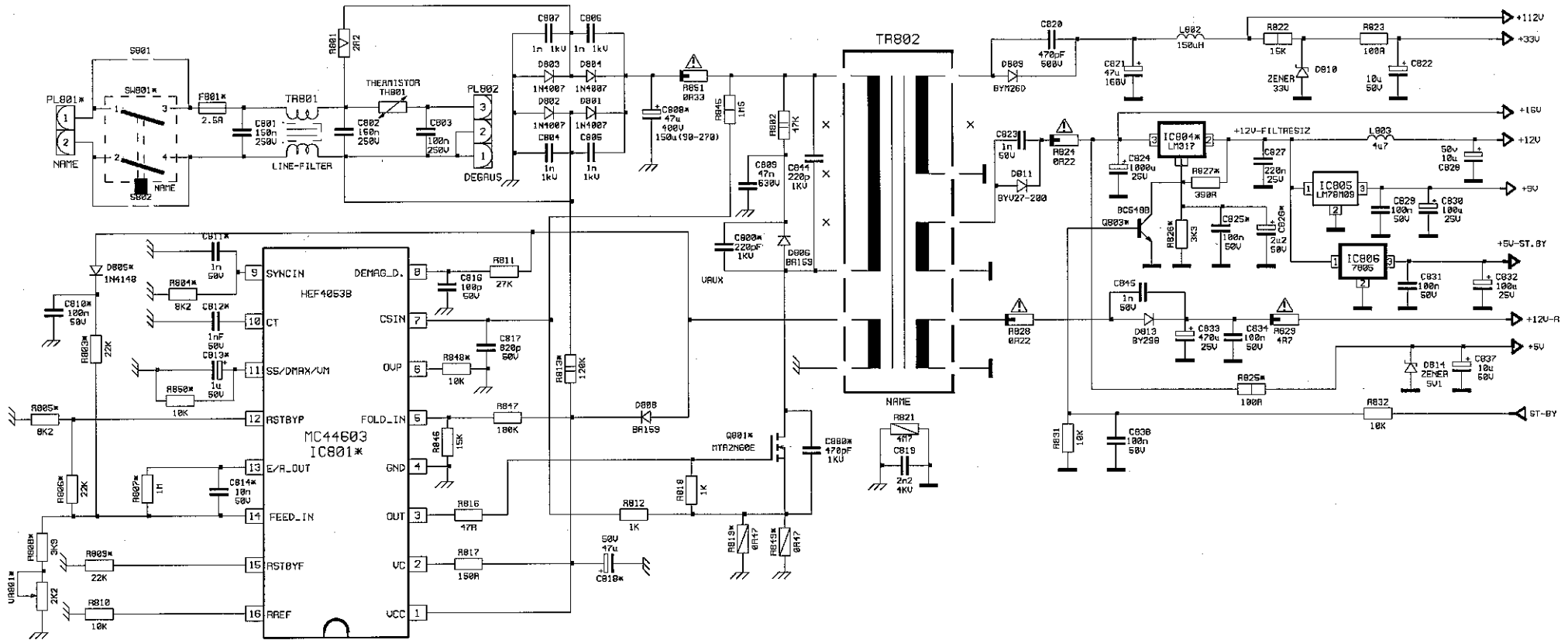
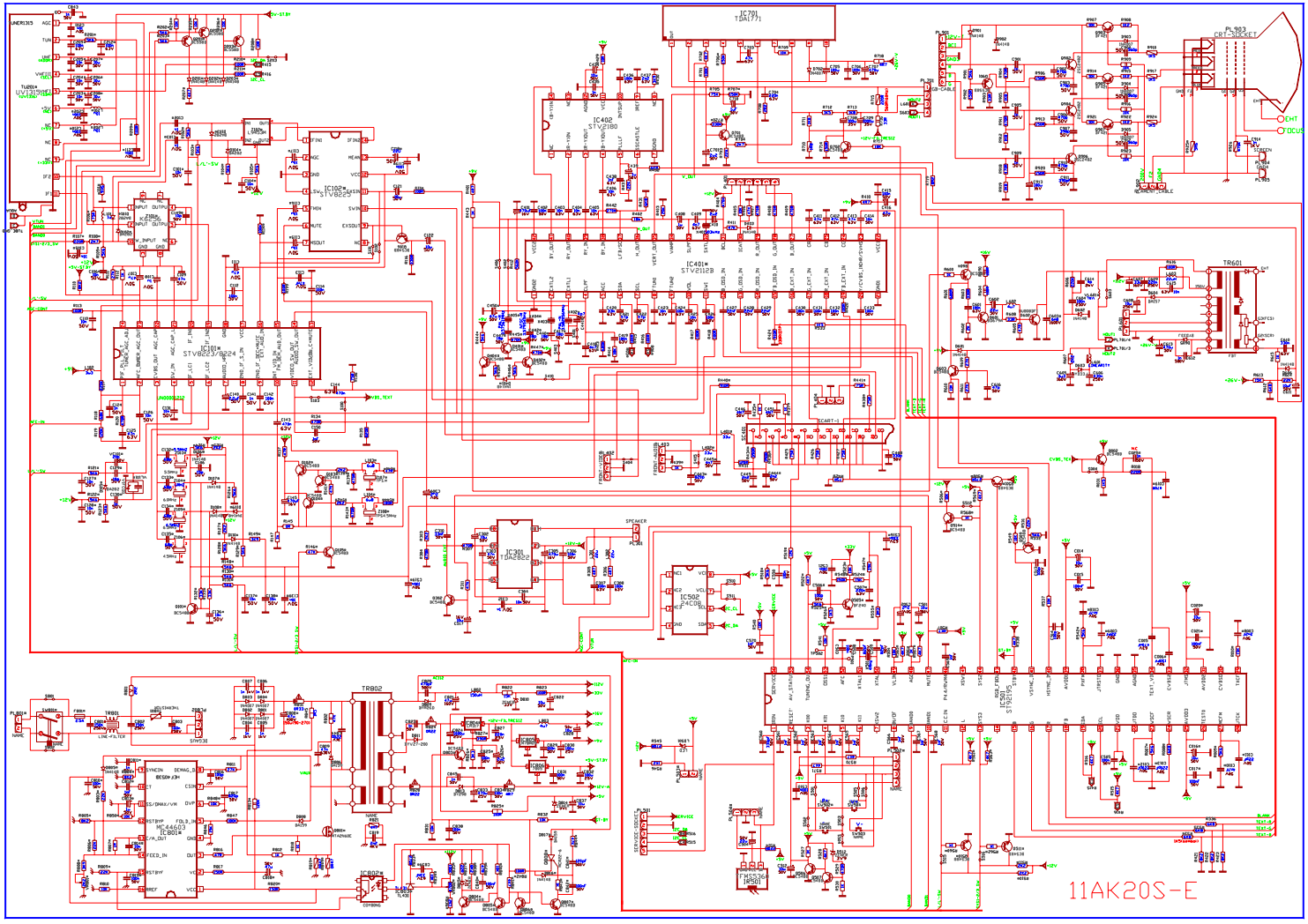


POWER SUPPLY SCHEMATIC DIAGRAM (version without opto-coupler)





11AK20S-E