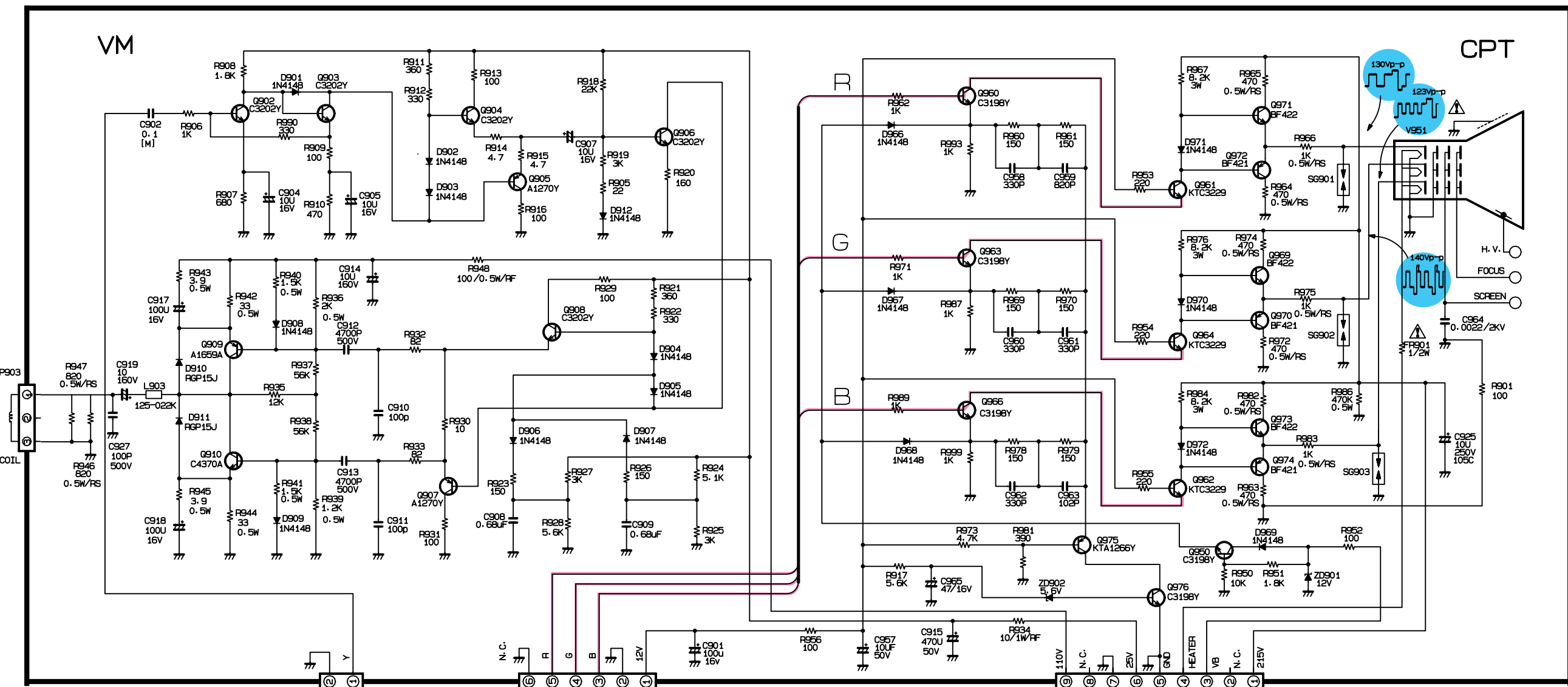
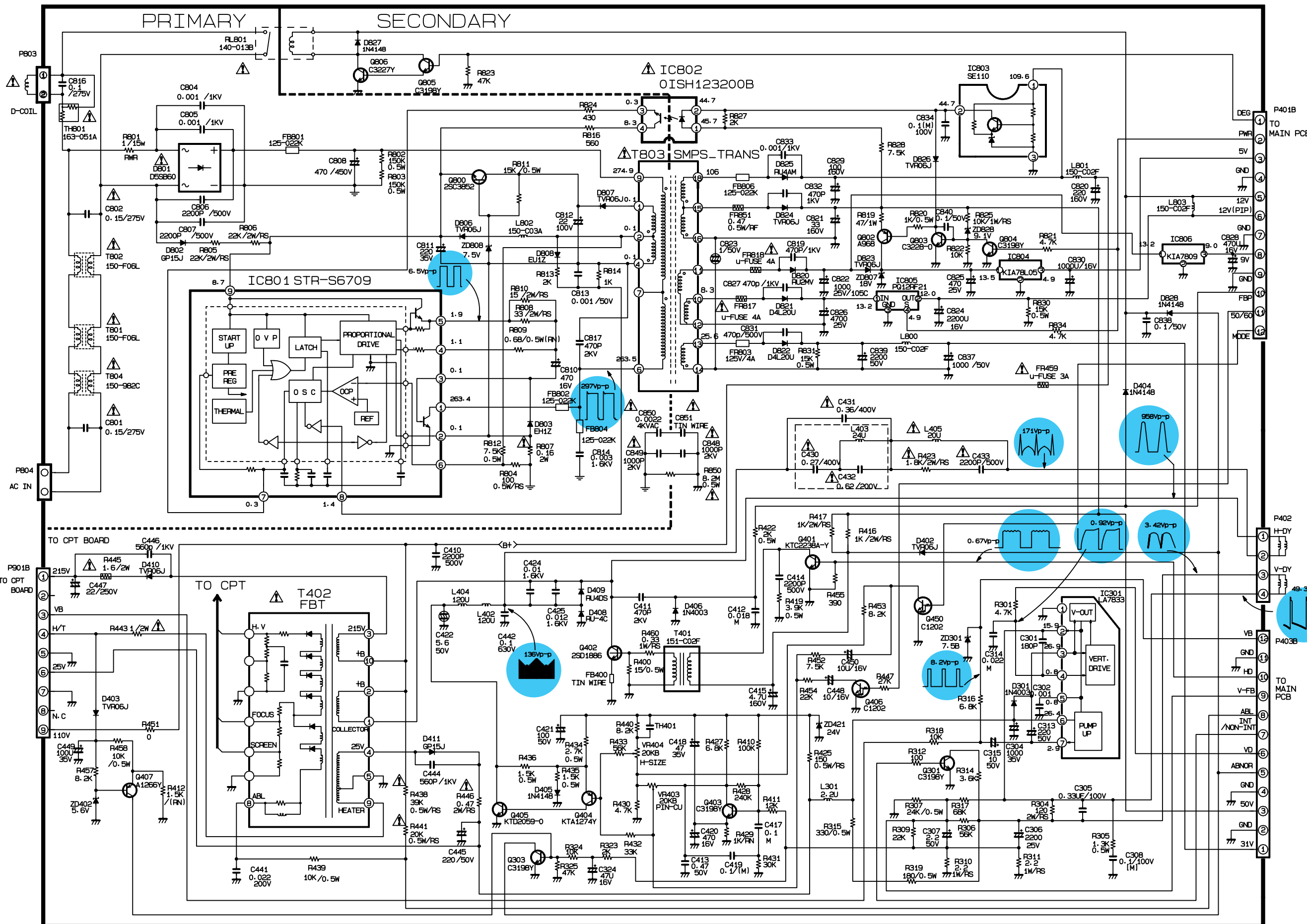


# Service Sheet of MC-71A(2/2)

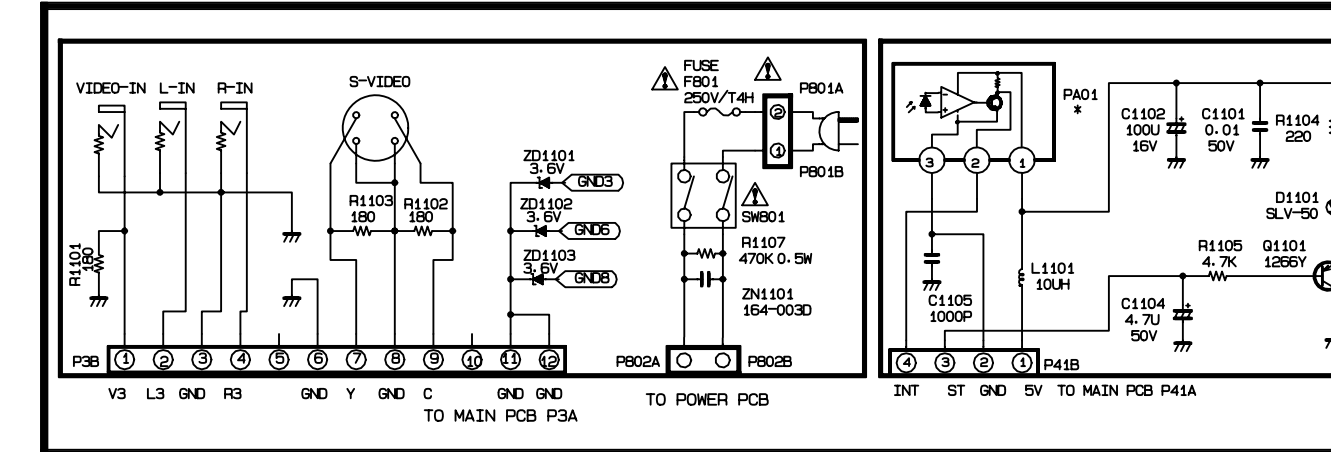
## MC-71A SUB CIRCUIT DIAGRAM

< POWER PCB ASSY >

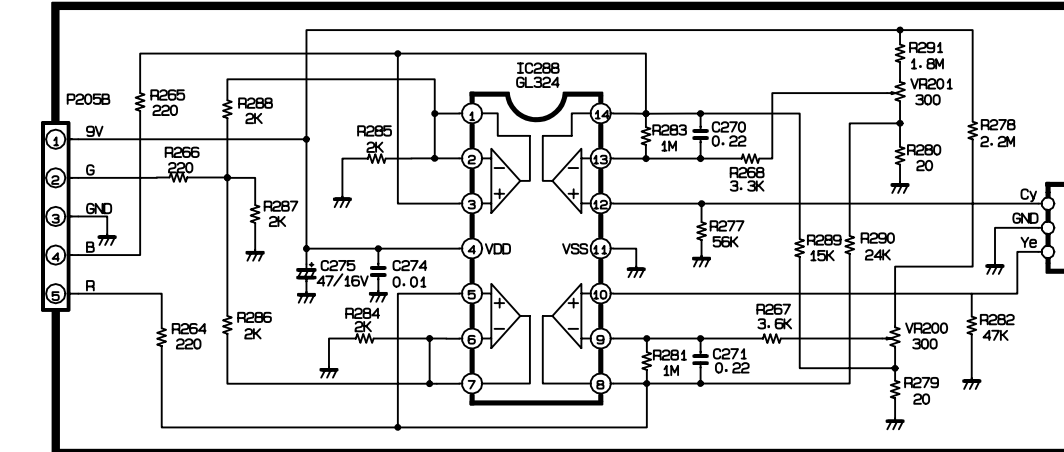
< 29 INCH CPT PCB ASSY >



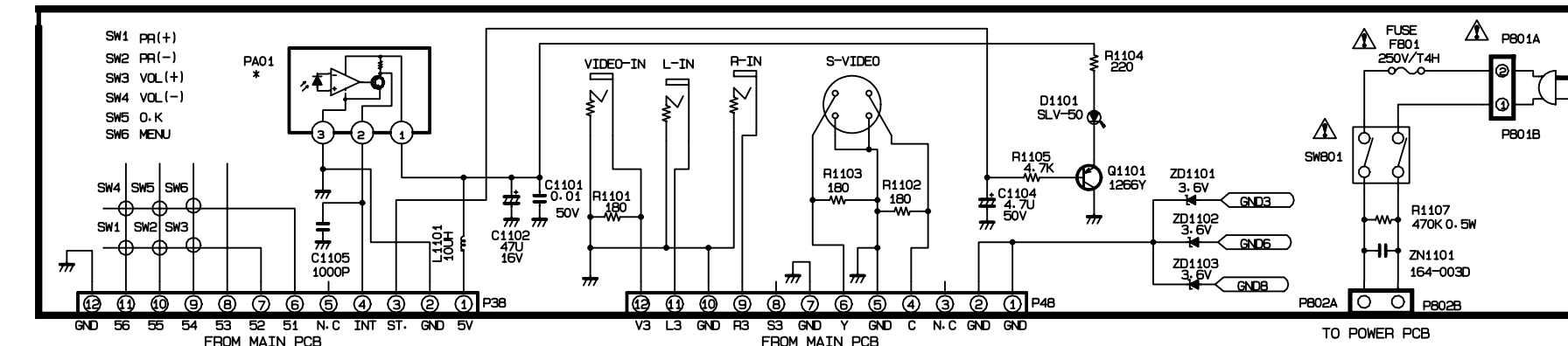
< CONTROL PCB ASSY : FOR C80 SERIES MODEL >



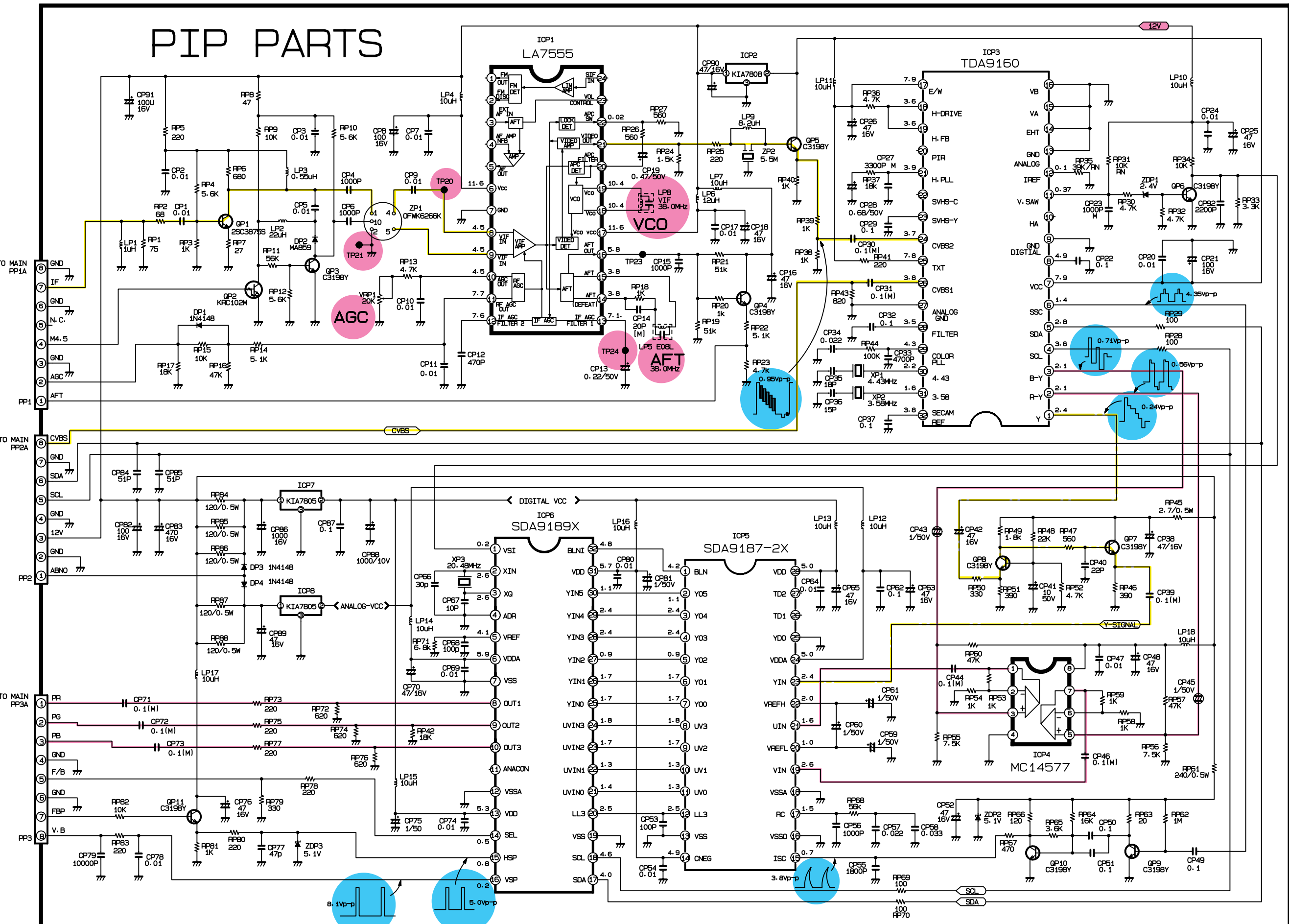
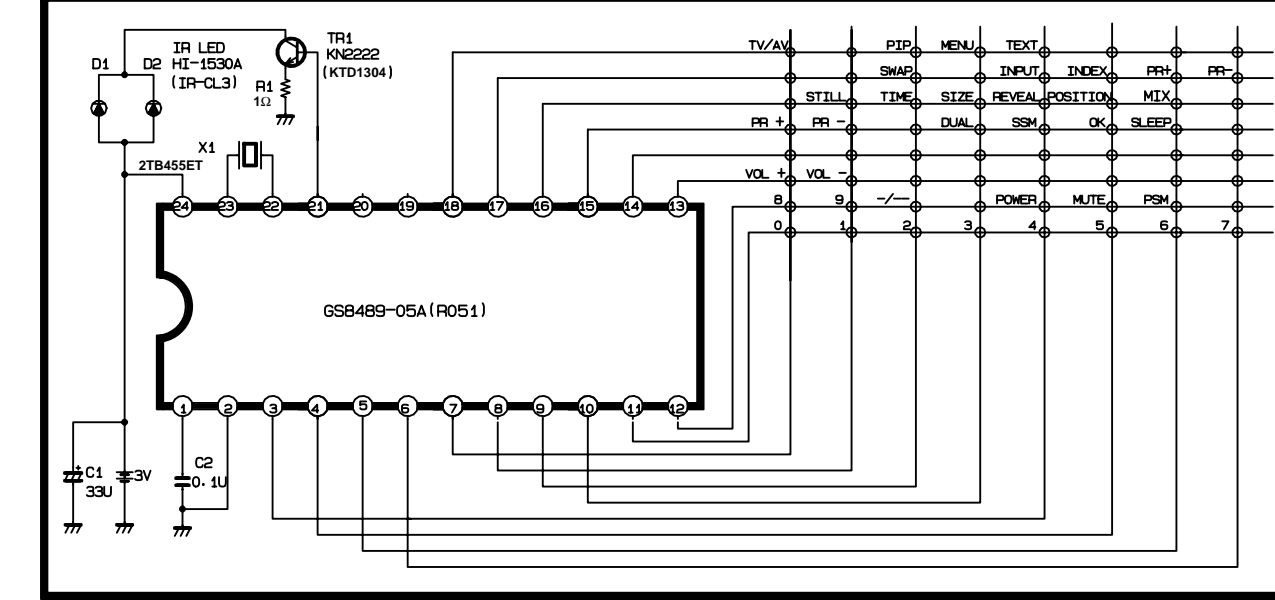
CY SENSOR



< CONTROL PCB ASSY : FOR H20 SERIES MODEL >



< REMOTE CONTROL >



- CHROMA
- HORIZONTAL
- VERTICAL
- ADJUSTMENT
- SOUND
- WAVEFORM
- PIF/CVBS
- LUMINANCE

**NOTICE**  
 Since this is a basic circuit diagram, the value of components and some partial connection are subject to change for improvement.  
 The components marked  $\Delta$  conform to VDE or IEC guide-lines and are essential for safe operation of the set, while those marked  $\Delta$  are required for correct operation. Use specified parts only when replacing.

\* < POWER/CPT/PIP/CON. CONVERSION PARTS >

CAT.	REFERENCE NAME	CF-29C20	CF-29C82
POWER PCB ASSY			
CPT PCB ASSY			

**RTV servis Horvat**  
 Kešinci, 31402 Semeljci  
 031-856-139  
 031-856-637  
 098-788-319  
[rtv-servis-horvat@os.tel.hr](mailto:rtv-servis-horvat@os.tel.hr)  
 Croatia

- Value of resistor, capacitor and inductor
- Resistances are shown in ohm, K=1,000, M=1,000,000.
  - Unless otherwise noted in schematic, all capacitor values less than 1 are expressed in pF and the values more than 1 in pF. The sign of (M) in schematic means MCLR CAPACITOR.
  - Unless otherwise noted in schematic, all inductor values more than 1 are expressed in uH.
- Observation of voltage and waveforms
- Voltagess with VTM from point shown to chassis ground. Signal pattern is color-bar.
  - The schematic shown is representative only.
  - All waveforms are taken using a wide band oscilloscope and a low capacity probe.
  - Check Fine tuning, AGC, Brightness, Contrast and Colour for best picture, make sure that Colour, Brightness are in mid position and Contrast is in 100%.

**Service Sheet of MC-71A(2/2)**  
**P/N : 3854VA0017A-S2**  
**(970515)**