

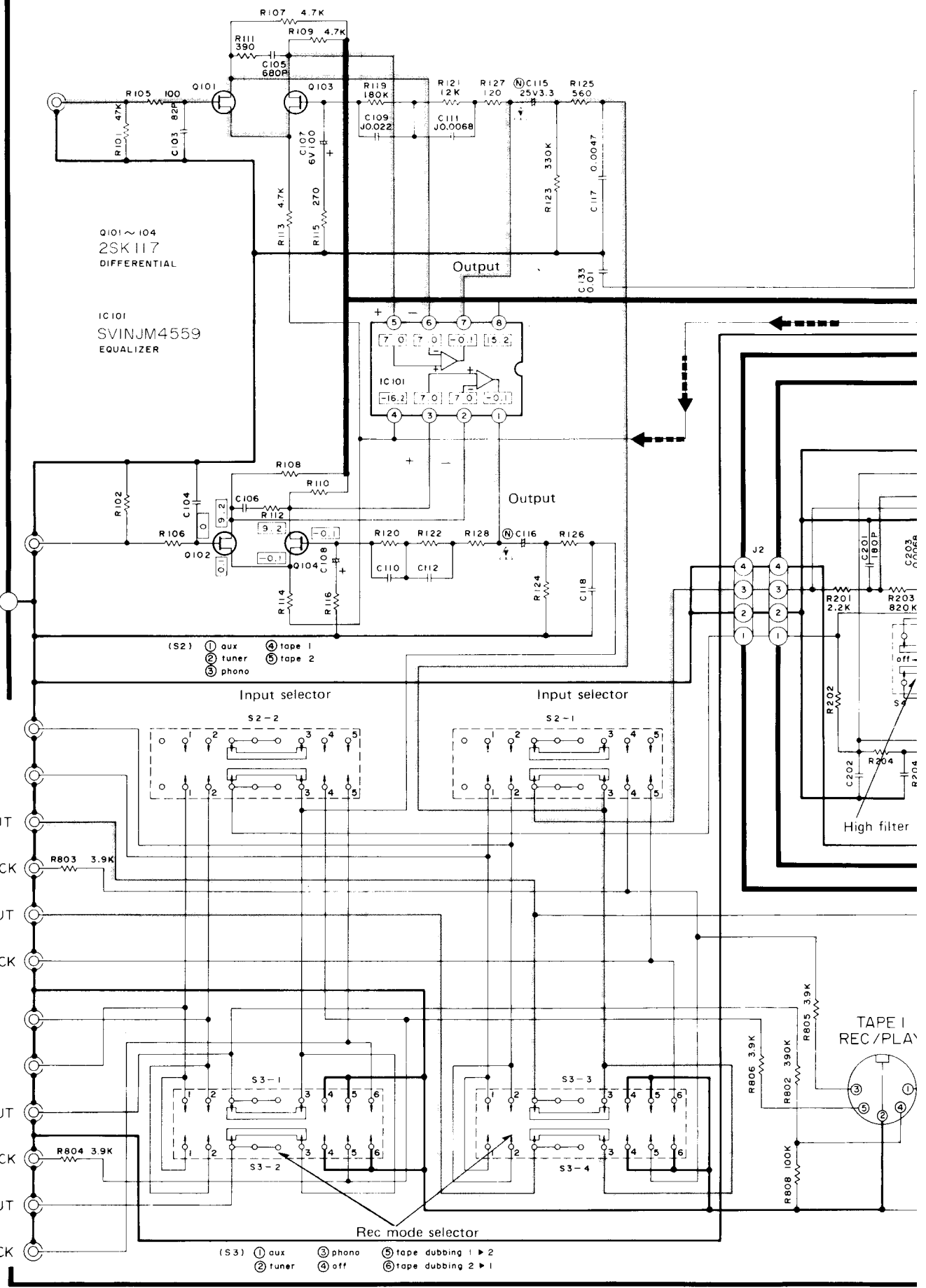
A
B
C
D
E
F
G

(L ch) PHONO

(R ch) PHONO
GND

(L ch) TUNER
AUX
REC OUT TAPE 1
PLAYBACK

(R ch) TUNER
AUX
REC OUT TAPE 1
PLAYBACK
REC OUT TAPE 2
PLAYBACK

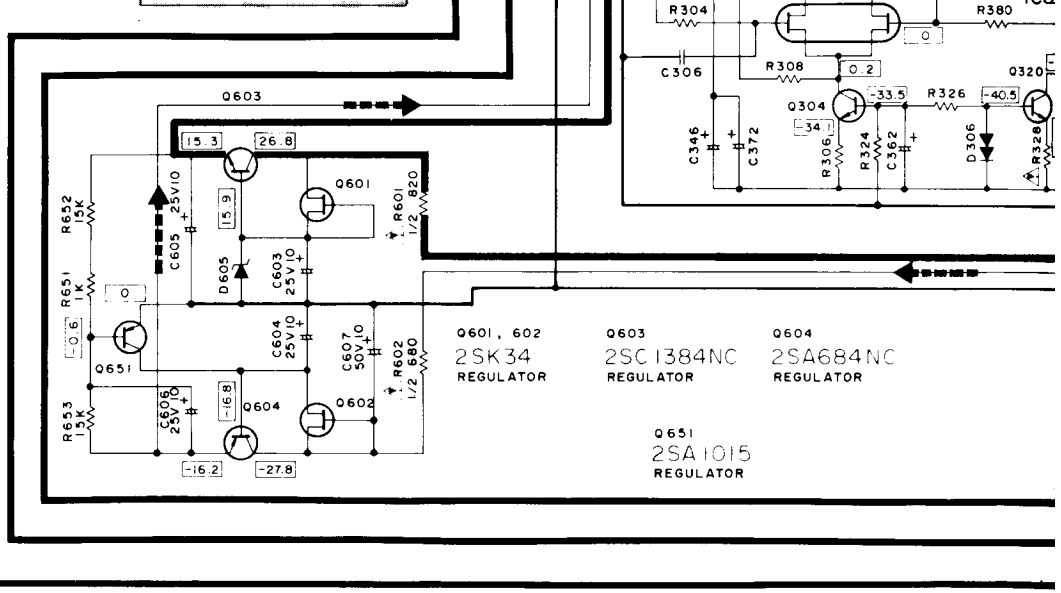
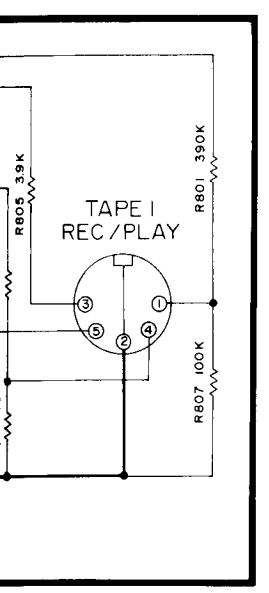
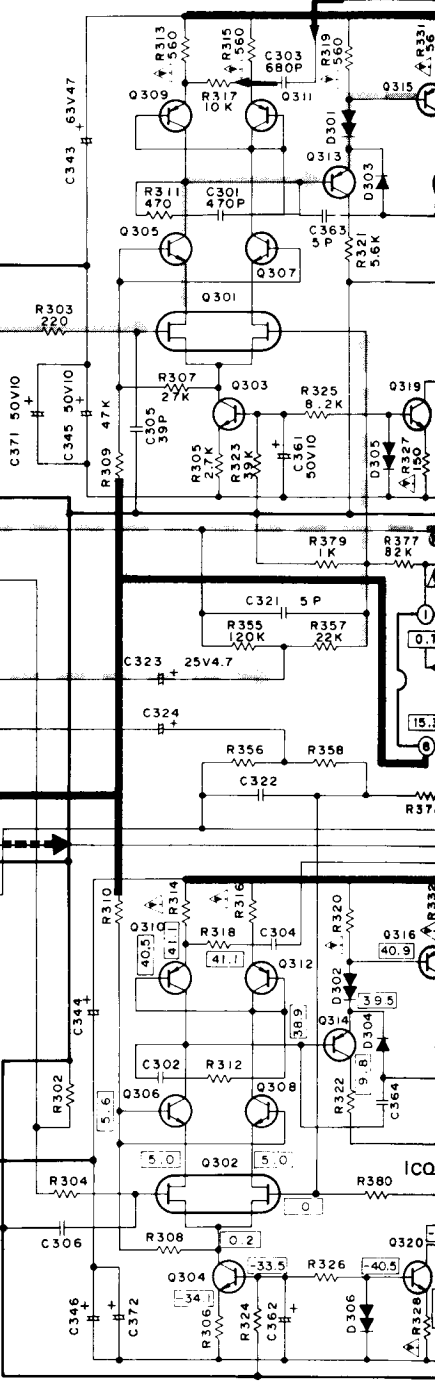
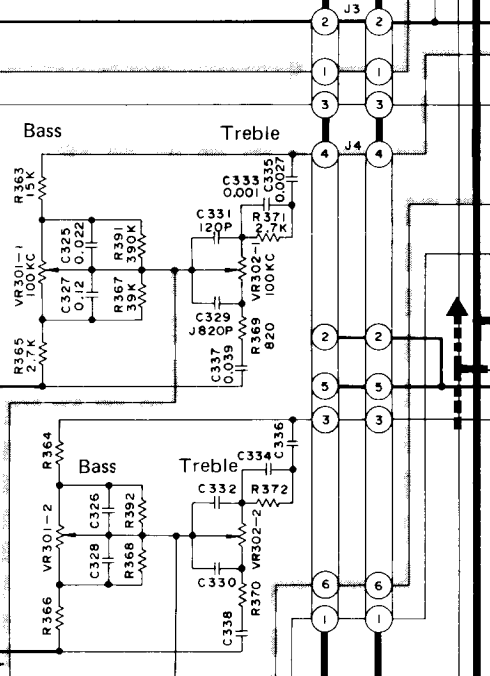
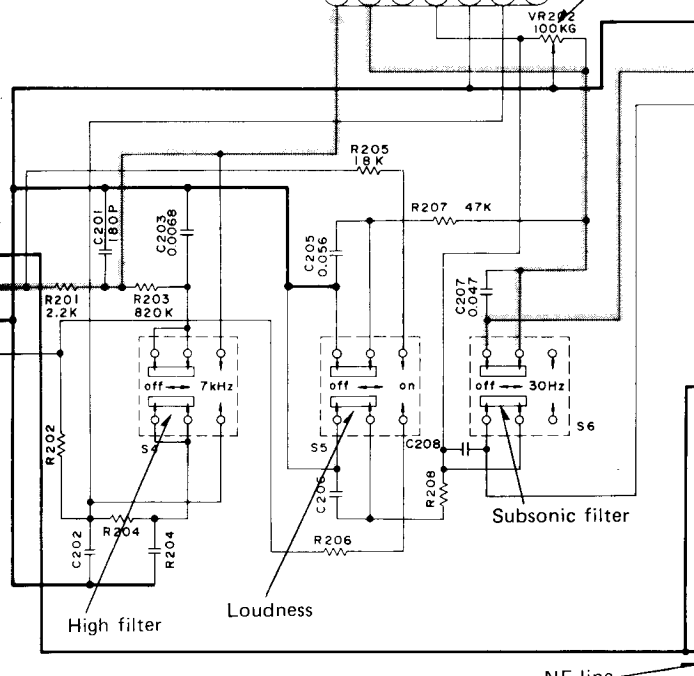
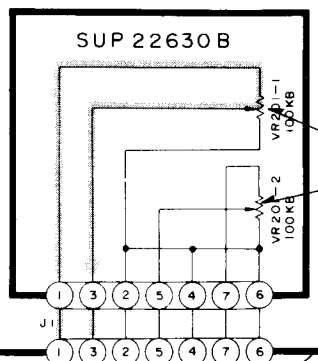


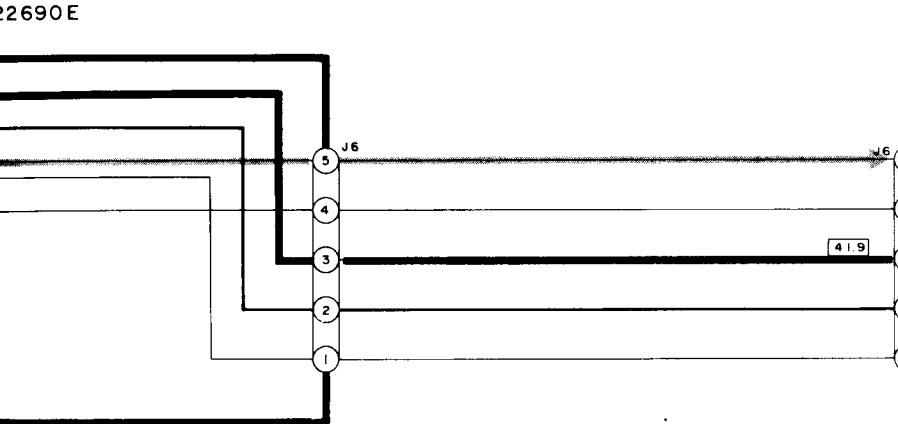
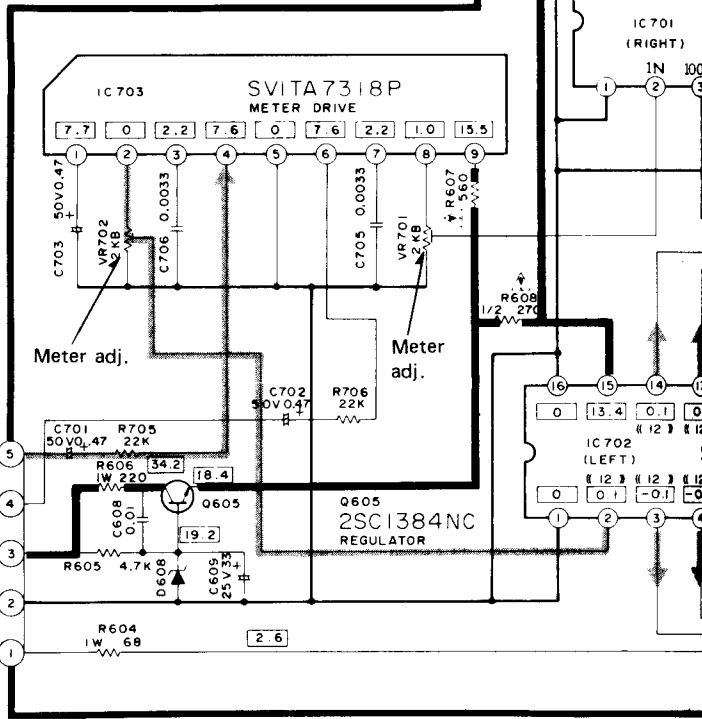
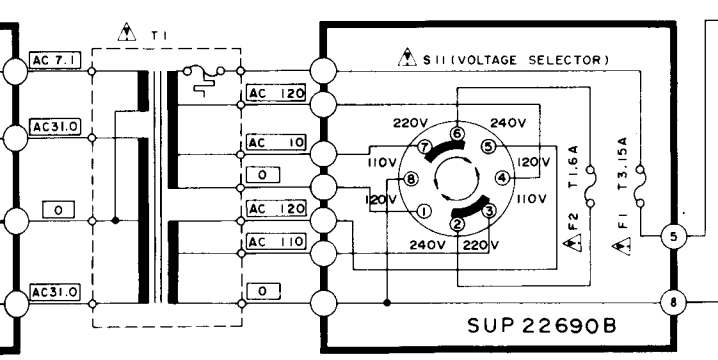
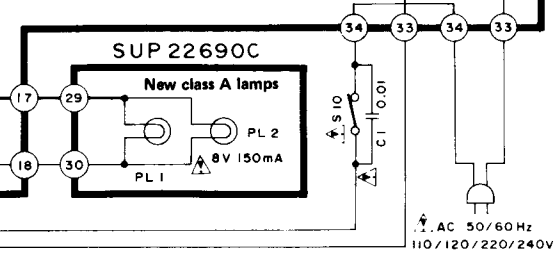
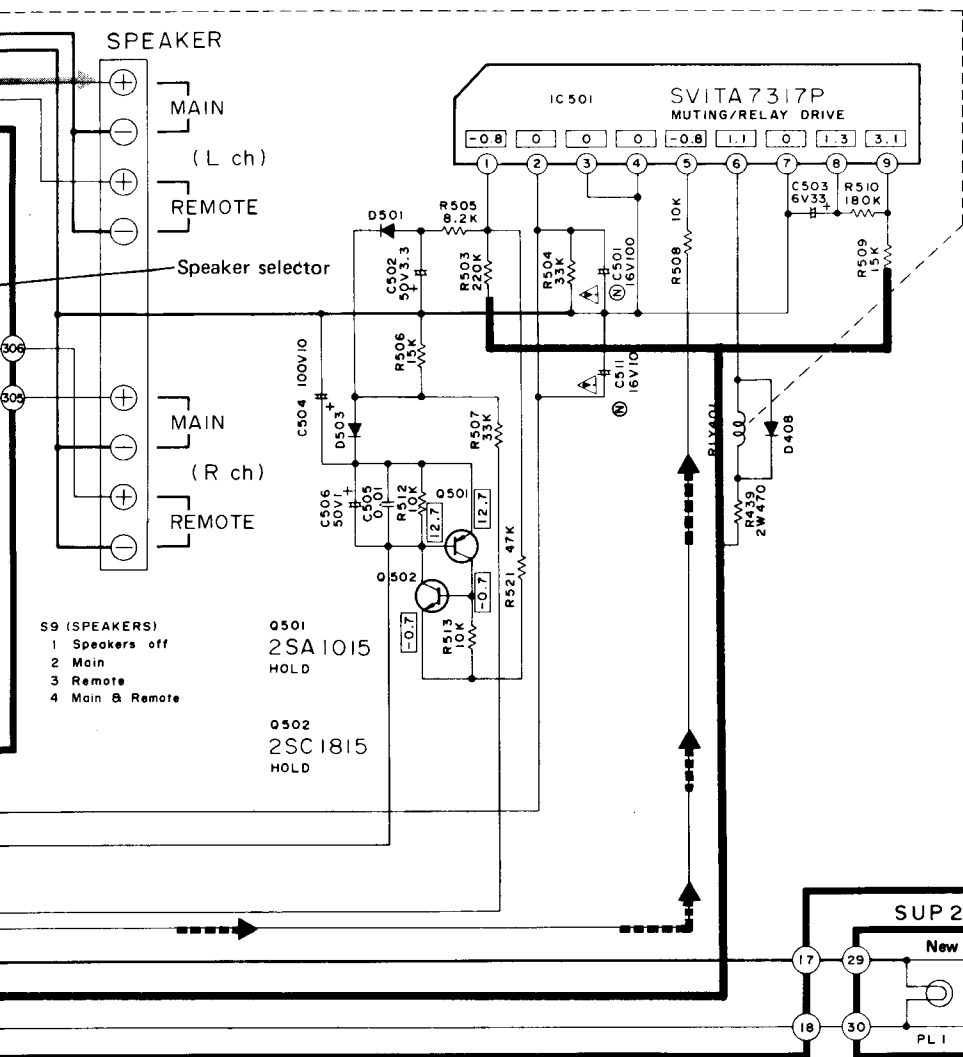
(S2) ① aux tuner ④ tape 1 ⑤ tape 2
② tuner ③ phono

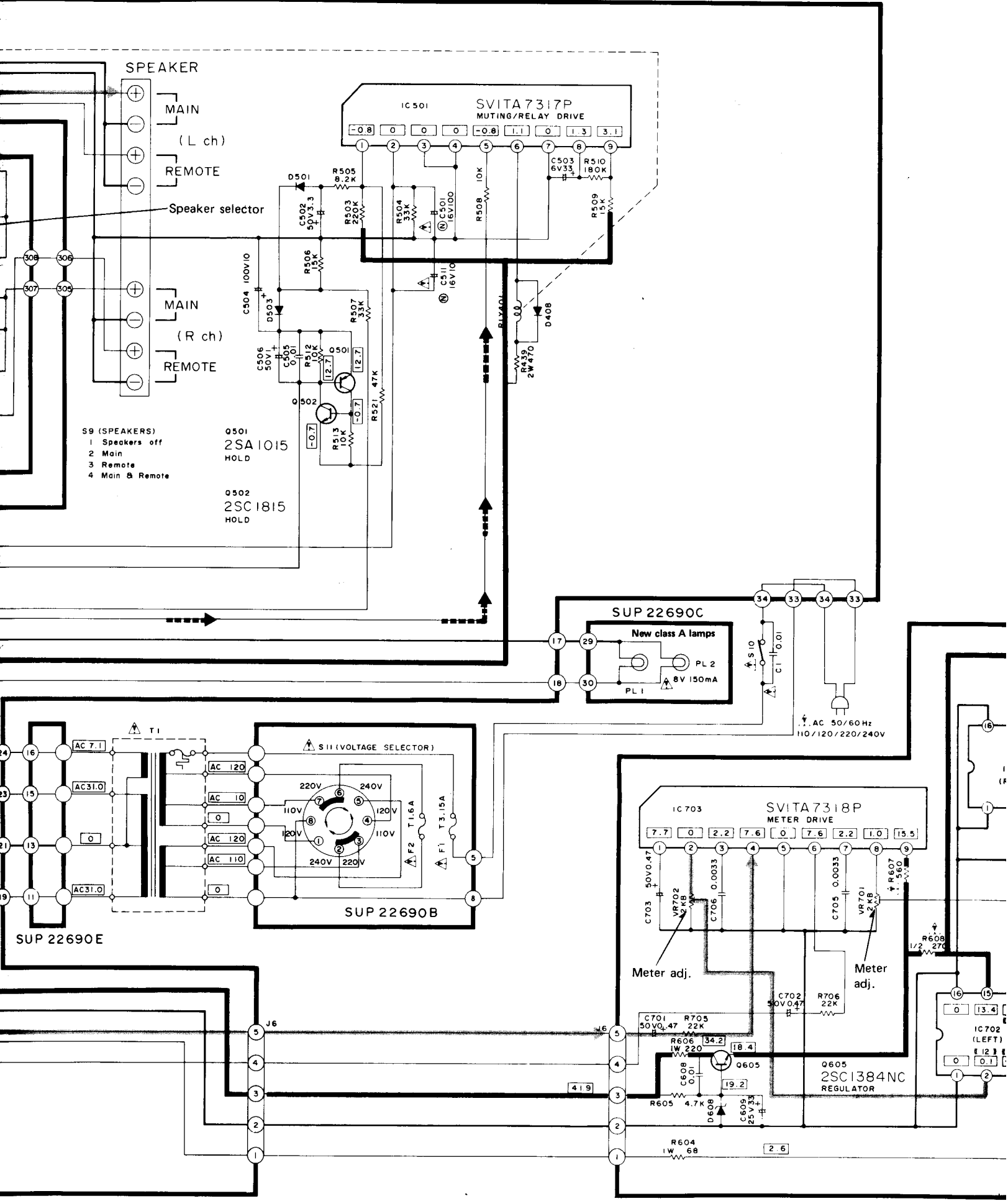
(S3) ① aux ③ phono ⑤ tape dubbing 1 ▶ 2
② tuner ④ off ⑥ tape dubbing 2 ▶ 1

SUP 22690A

Q301, 302 2SK109 DIFFERENTIAL	Q303, 304 2SC1845 CONSTANT CURRENT	Q309 ~ 312 2SA1015 CURRENT MIRROR	Q315, 316 2SA91 PRE DRI
Q305 ~ 308 2SC1845 CASCADE	Q313, 314 2SA992 EMITTER FOLLOWER	Q317, 318 2SA11 CASCADE	







SCHEMATIC DIAGRAM

(This schematic diagram may be modified at any time with the development of new technology.)

Refer to notes on page 16.

● Part number of diodes

Diode Ref. No.	Production Part No.	Standardized Part No.
D301, 302	SVDMA26-2	MA27A2
D303, 304	MA162A	←
D305 ~ 308	SVDMA26-2	MA27A2
D309 ~ D316	OA90	20A90
D317 ~ D320	SVDMA26-2	MA27A2
D331, 332	SVDMA26-2	MA27A2
D408	MA150	MA162A
D501, 503	MA150	MA162A
D505, 506	MA162A	←
D601 ~ 604	SVDS3V20	SVDS3V40
D605	SVDMZ316B	←
D608	MA1200	←

