

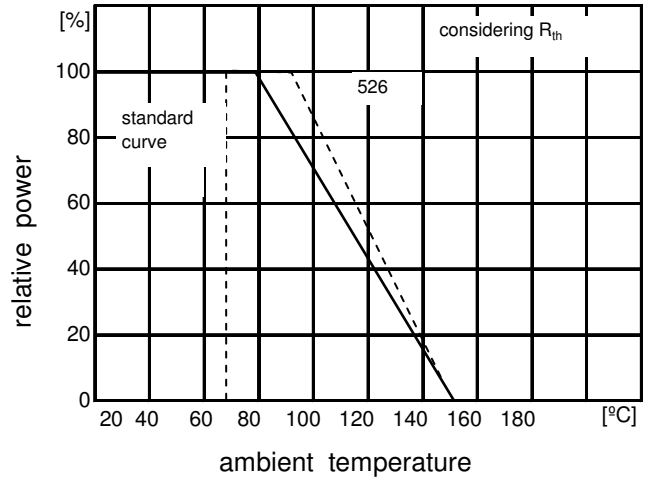
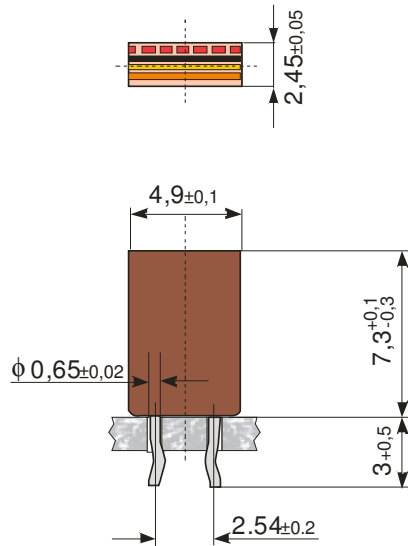


## Metalglaze film resistors, moulded, vertical Uninflammable acc. to IEC 695-2-2

### Specifications

		RGU526-0
Type		04
Style		04
Nominal Power rating $P_{70}$	W	0,5
Resistance range	$\Omega$	see next page
E-series		see next page
Tolerances	%	see next page
Temperature coefficient	$10^{-6} \cdot K^{-1}$	see next page
Max. cont. working voltage	$V_{RMS}$	350
Voltage coefficient	$10^{-6} V^{-1}$	<30
Insulation voltage (1min.)	$V_{RMS}$	1000
Insulation resistance	$M\Omega$	$>10^4$ Except top surface
Derating linear	$^{\circ}C$	see next page
Climatic category		55 / 155 / 56
Temperature range	$^{\circ}C$	- 55 ... 175
Thermal resistance	$KW^{-1}$	90
Failure rate (Total $\vartheta_0$ max, 60% conf. lev.)	$10^{-9} \cdot h^{-1}$	<1
Endurance ( $P_{70}$ , @ 70 $^{\circ}C$ , 1000h intem.)	$[\Delta R/R] \%$	$\pm 0,5$
Damp heat, steady state (40 $^{\circ}C$ , 93% r.h., 56d)	$[\Delta R/R] \%$	$\pm 1,0$
Climatic sequence	$[\Delta R/R] \%$	$\pm 1,0$
Terminal Strength	$[\Delta R/R] \%$	$\pm 0,2$
Terminal tensile Strength	N	40
Resistance to soldering heat (260 $^{\circ}C$ , 10s.)	$[\Delta R/R] \%$	$\pm 0,1$
Solderability	S	2,5 Flowtime, solderglobule test, IEC 60068-2-20-T
Current noise (DIN/IEC 195)	dB	R < 1K: -20 R > 1K $\pm 20$ /decade
Nonlinearity (DIN/IEC 440)	dB	110 -20/decade
Marking		DIN-IEC-Colour code; 4 resp. 5 colors

Dimensions in mm:



Resistance range	E-series	Tolerance	Temperature coefficient $10^{-6} \text{ K}^{-1}$
0R3 ... 3M3	E 24	± 2%	100 (T0) *
10R ... 3M32	E 24 / E 96	± 1%	50 (T2)
10R ... 1M	E 96	± 0,5%	50 (T2)

\* R <1R TC200

Packaging:

Type	Packaging	Pack. Code	Pieces
RGU526-0	bulk	B	1000

Ordering example: RGU526-0 1 B 1K  
 Type Tolerance Pack.- code R-Value