

Disclaimer:

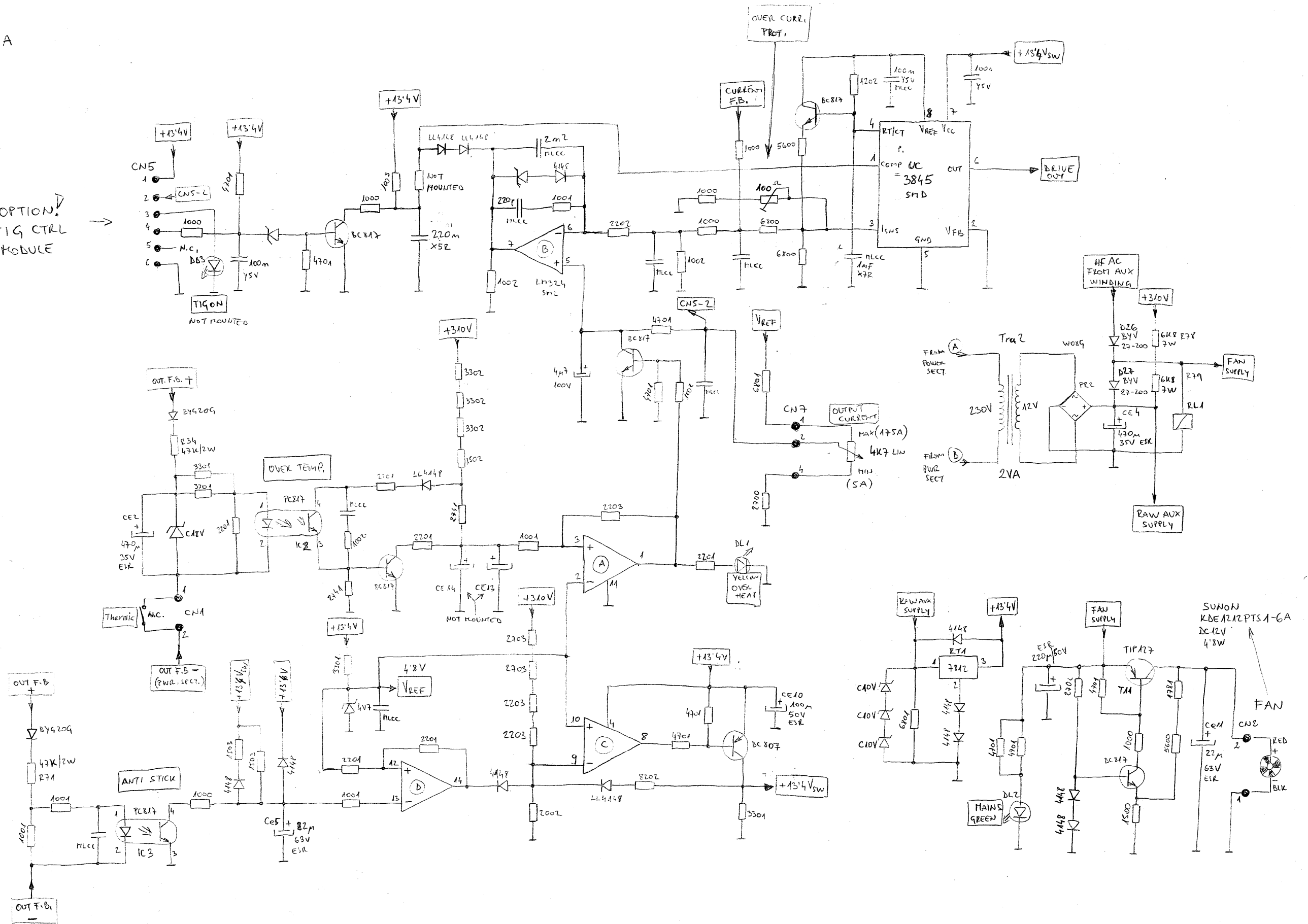
!!LETHAL VOLTAGES PRESENT also when turned off and disconnected from mains!!

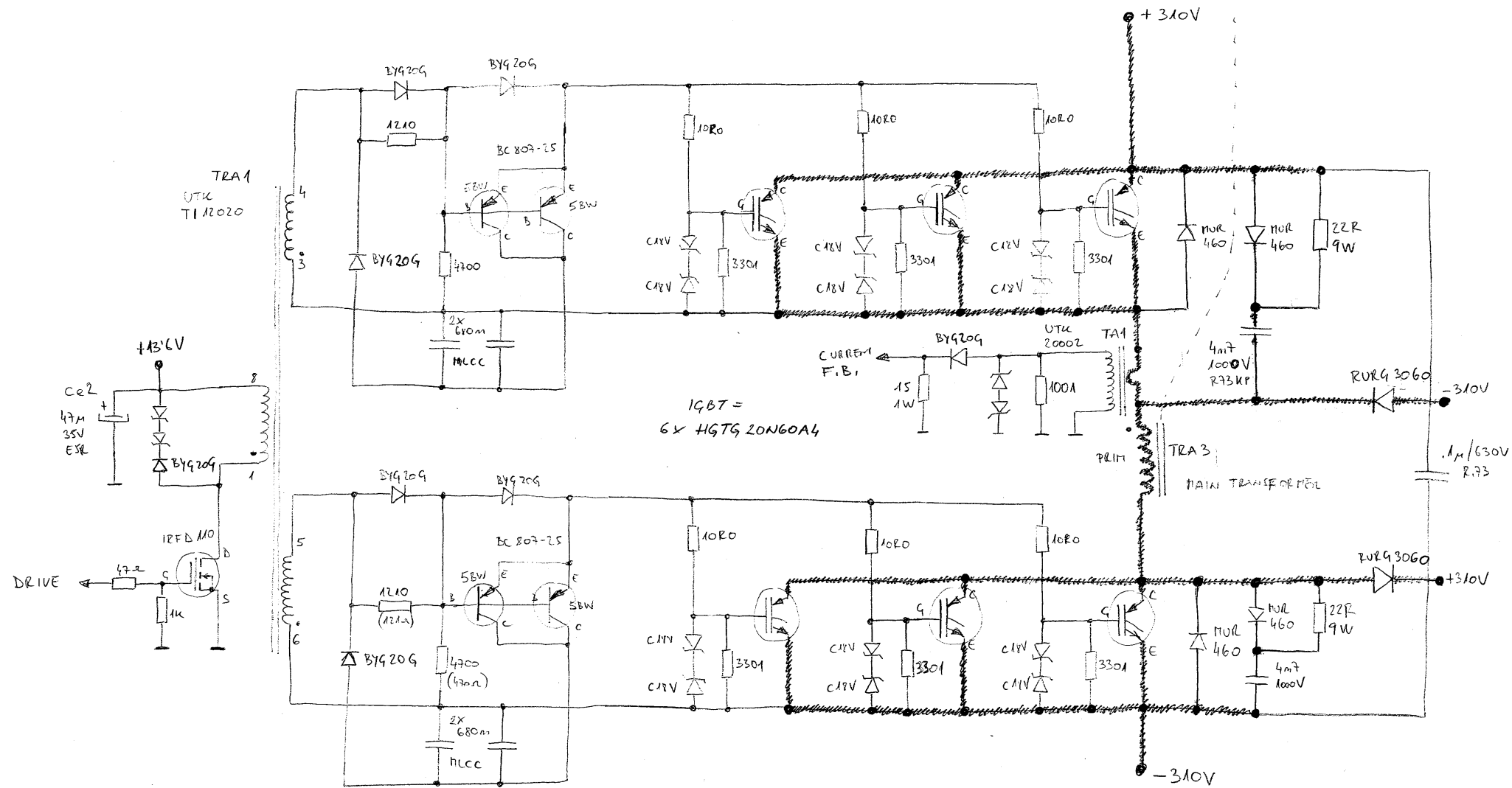
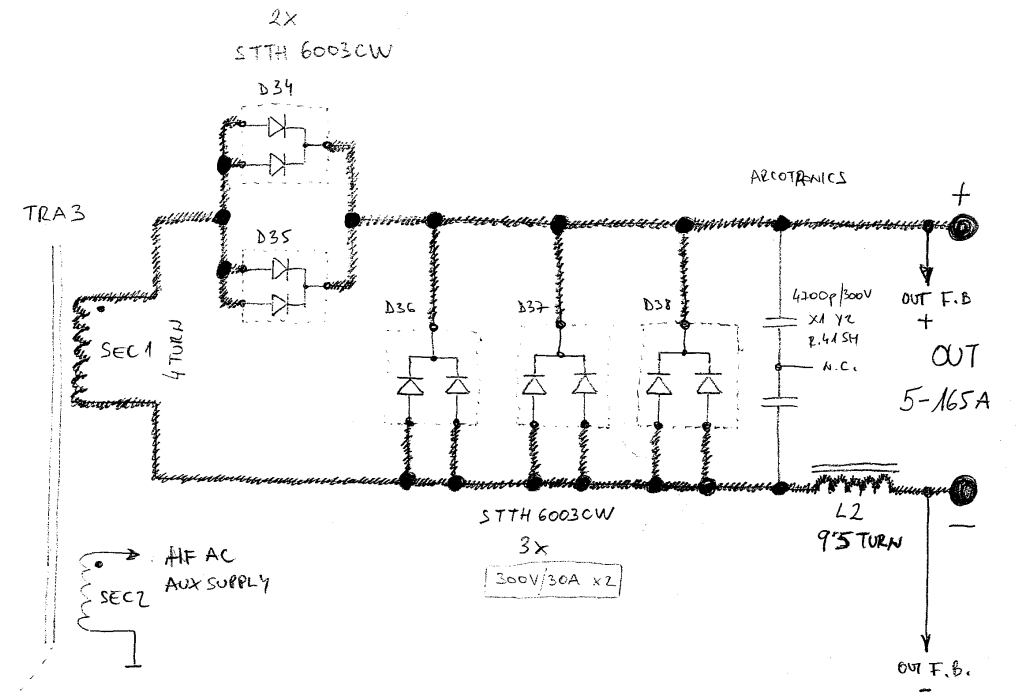
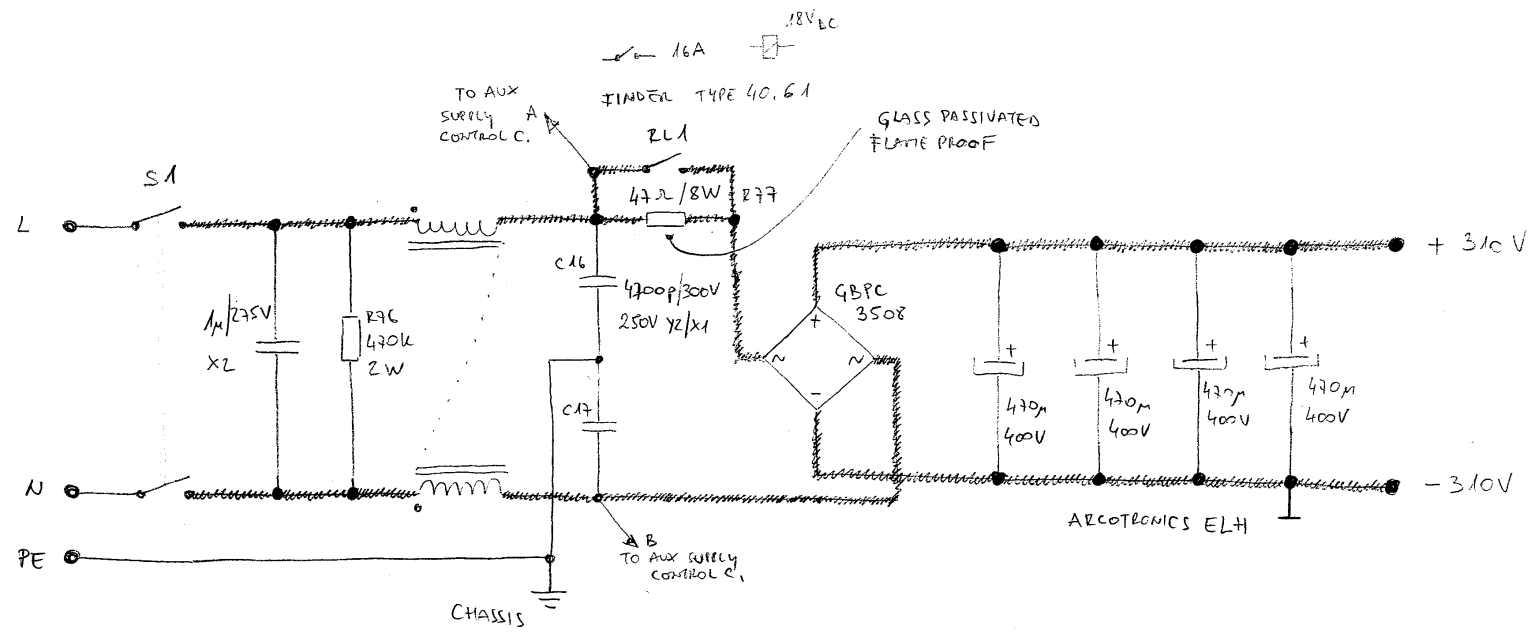
Wait at least 5minutes before attempting any intervention. Use of mains isolation transformer of suitable power capacity is mandatory when trying to perform electrical measurements.

The present schematics are intended to assist in the repair of the VARIN1700 welding inverter. They were drawn by reverse engineering and I have attempted to ensure they are as accurate as possible. However since the circuit is at or above mains potential and high frequency electromagnetic fields are generated, I accept no responsibility for any loss, injury, death or inconvenience sustained by anyone using the information contained in the present schematics. All attempts of repair or modification should only be carried out by suitably qualified electronics engineers/technicians and on their sole responsibility. Please be careful as this electrical equipment is potentially dangerous when dismantled.

VARIN 1700
 VARSTROS SLOVENIA
 CONTROL CIRCUIT

OPTIONAL
 TIG CTRL
 MODULE





VARIN 1700
 VARSTROS SLOVENIA
 POWER SECTION