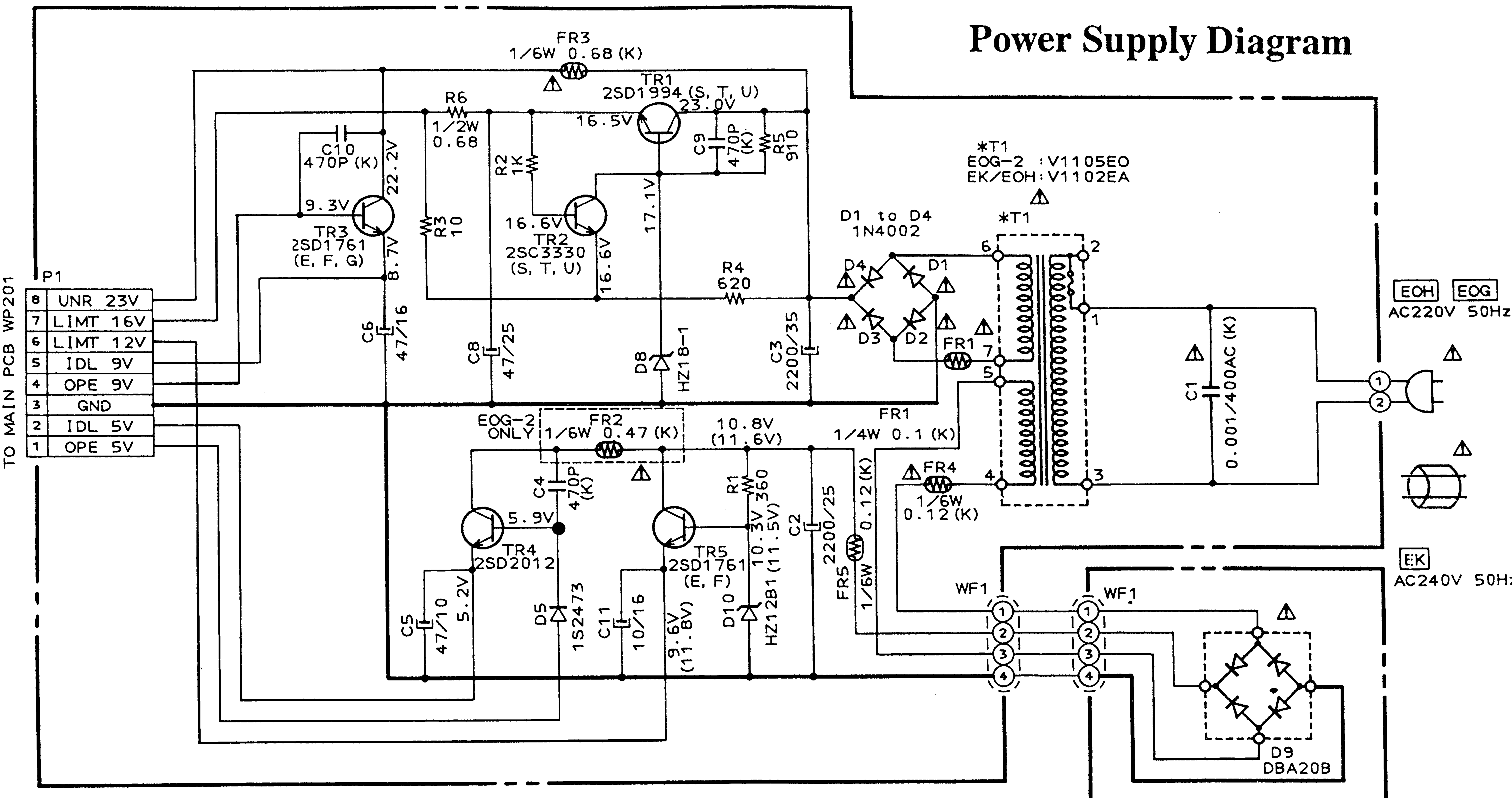


Power Supply Diagram



TO MAIN PCB WP201

8	UNR 23V
7	LIMT 16V
6	LIMT 12V
5	IDL 9V
4	OPE 9V
3	GND
2	IDL 5V
1	OPE 5V

DIODE PCB
V1105C522B

INDICATED VOLTAGES ARE MEASURED
IN P.B. MODE.
() STOP MODE.