

LM703L Low Power Drain RF/IF Amplifier

REFERENCE TABLE

| Code | Stock No. |
|---------|-----------|
| LM703LH | 19682D |
| LM703LN | 31132G |

GENERAL DESCRIPTION

The LM703L is a monolithic RF-IF amplifier, having an efficient DC biasing system, reducing demands upon power supply and decoupling elements. Its low internal feedback guarantees a high stability-limited gain.

FEATURES

Power consumption 84mW (maximum).

Forward transadmittance 33 mmhos.

Input conductance 0.35 mmhos.

Output conductance 0.03 mmhos.

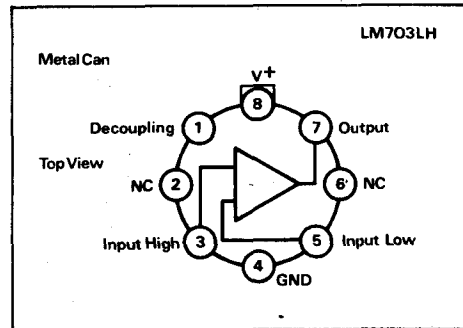
Peak-to-peak output current 5.0mA

Applications include limiting and non-limiting amplifiers, mixers, and RF oscillators. The LM703L is specifically characterized for operation in consumer applications such as TV sound IF, FM-IF limiter amplifier, and Chroma reference oscillator for colour TV.

ABSOLUTE MAXIMUM RATINGS

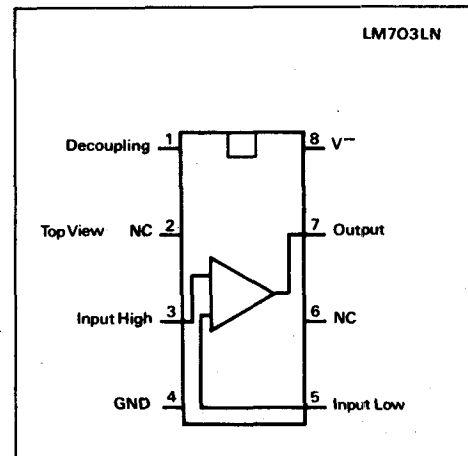
| | |
|--------------------------------------|----------------|
| Supply voltage | 20V |
| Output collector voltage | 24V |
| Voltage between input terminals | ±5.0V |
| Internal power dissipation | 200mW |
| Operating temperature range | 0°C to 70°C |
| Storage temperature range | -65°C to 150°C |
| Lead temperature (soldering, 60 sec) | 300°C |

CONNECTION DIAGRAM



See outline drawing No. 97 for dimensions.

CONNECTION DIAGRAM



See outline drawing No. 103 for dimensions.

MANUFACTURER'S CURRENT LIST PRICES ARE ALWAYS CHARGED