

Technics

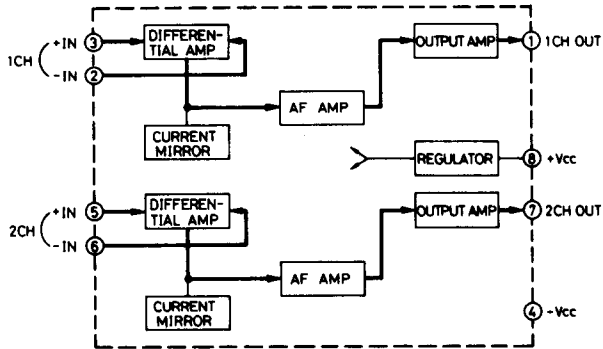
Stereo Integrated DC Amplifier

SU-V4



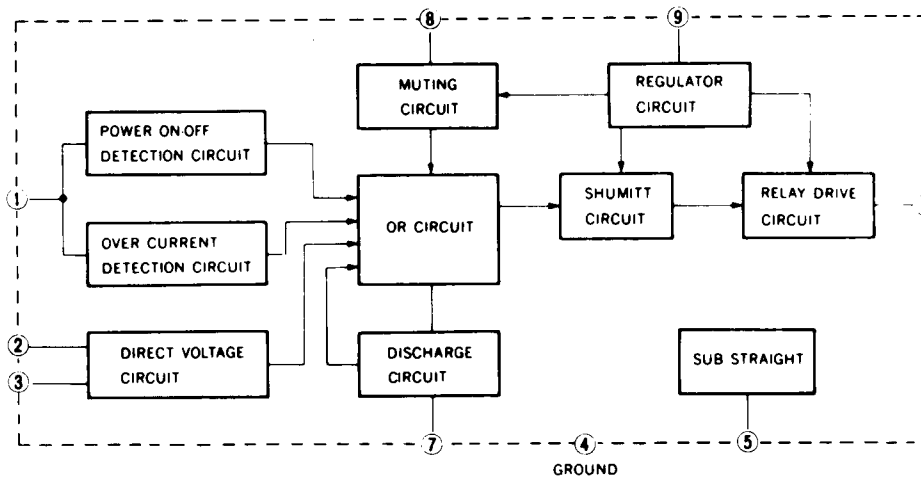
■ BLOCK DIAGRAM OF IC'S

- This is the basic block diagram of the inside circuit of IC. In an actual circuit, there may be sometimes idle terminals or some different functions other than the basic circuit.

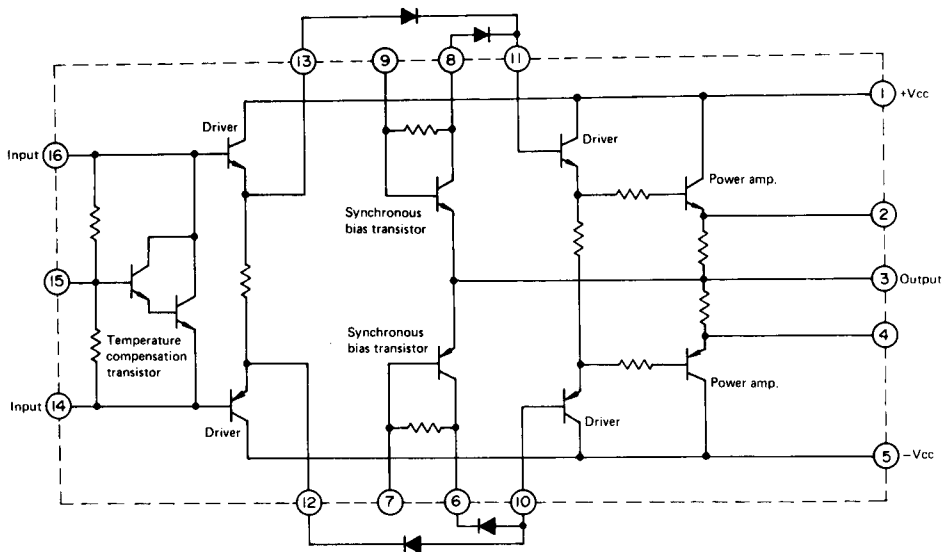


IC101 (SVINJM4559DS)
Equalizer amplifier

IC303 (AN6552F)
Tone control amplifier



IC601 (SVITA7317P) Speakers protection



IC301, 302 (SVISTK8050) Synchronous bias circuit and power amplifier

Schematic Diagram ... Model SU-V4/SU-V4K (This schematic diagram may vary)

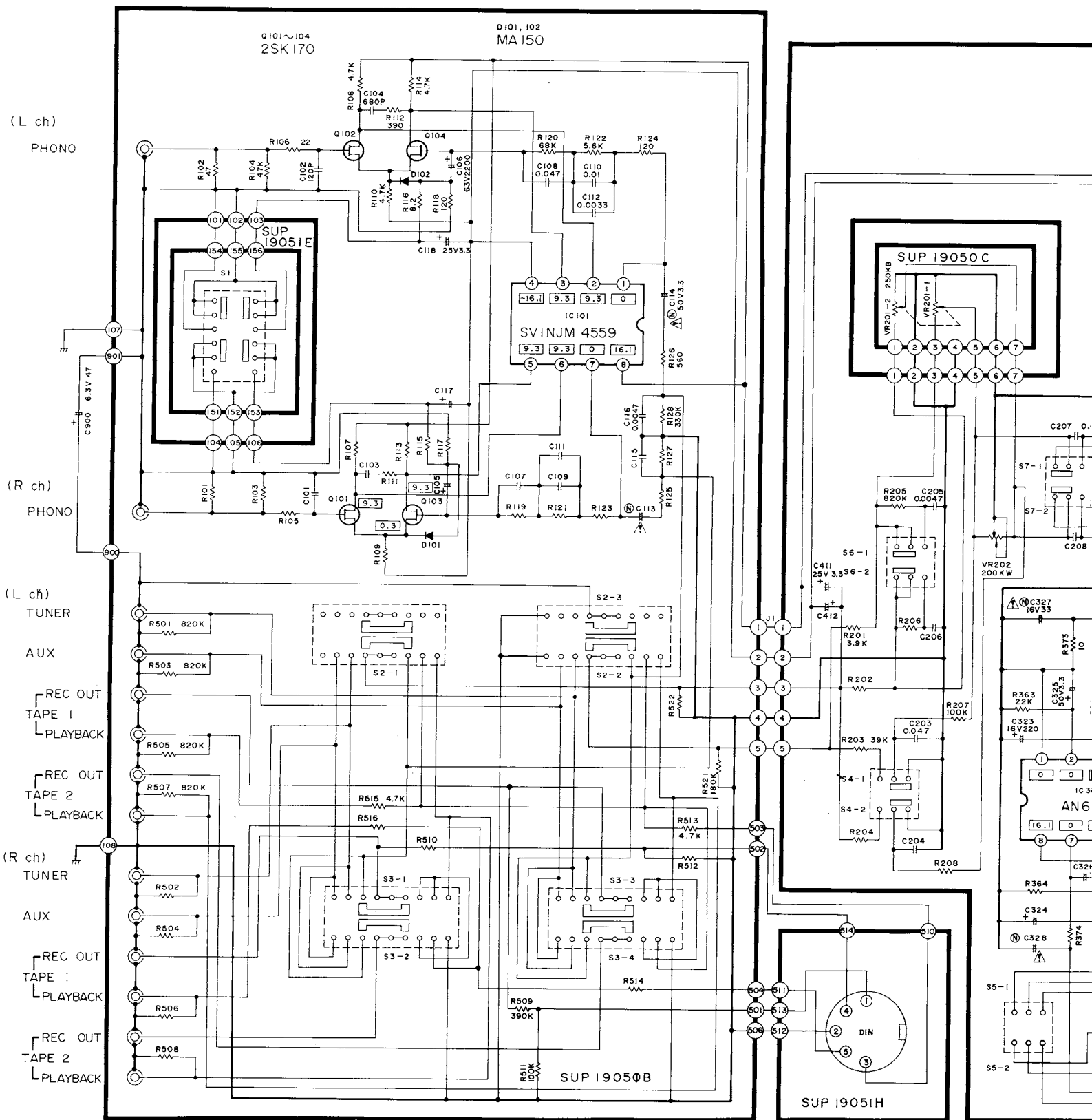
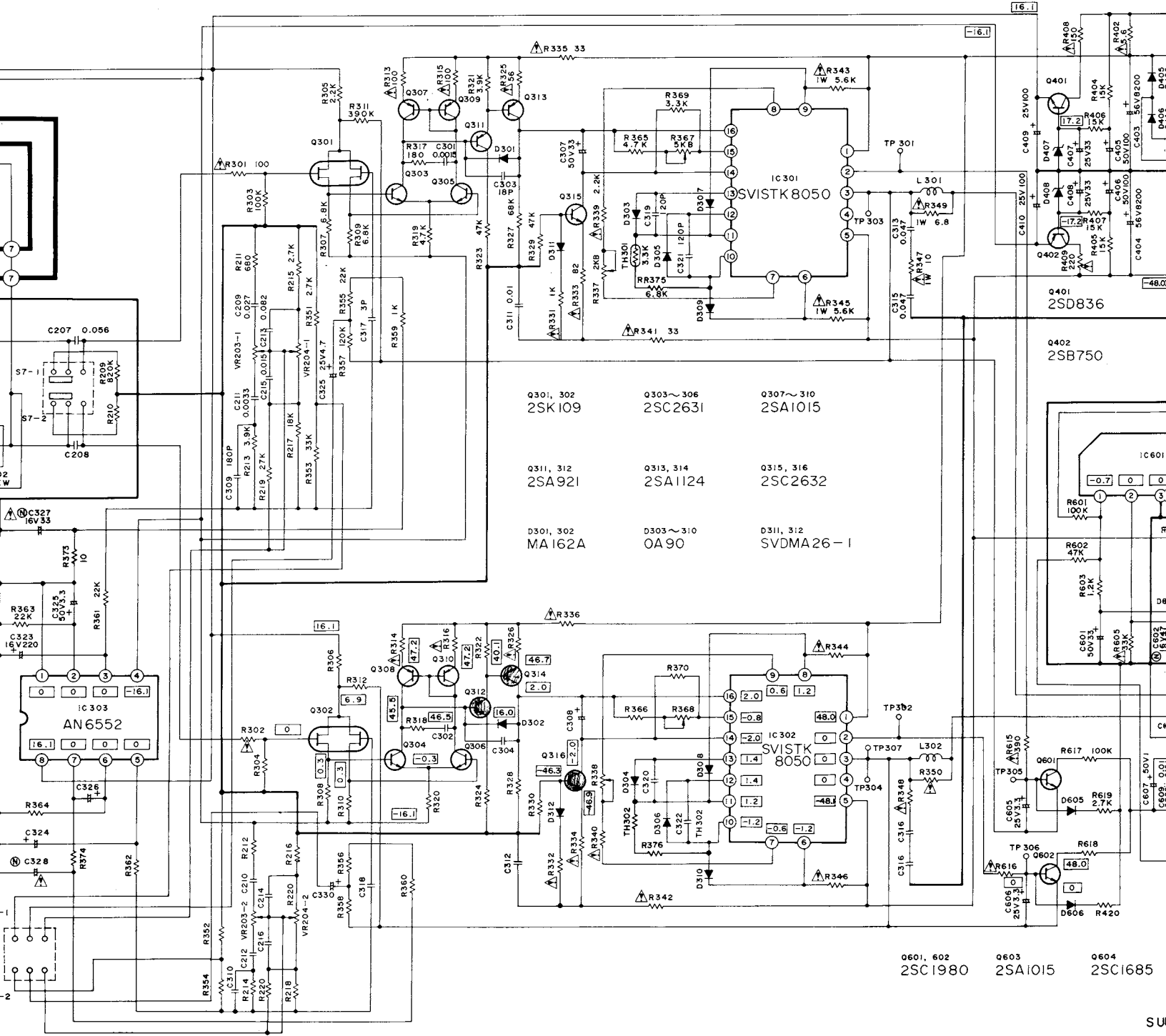


Diagram may be modified at any time with the development of new technology)

D407, 408
SVDZM316C

D403
SVDZM316C



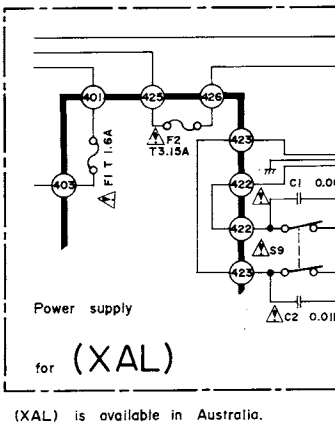
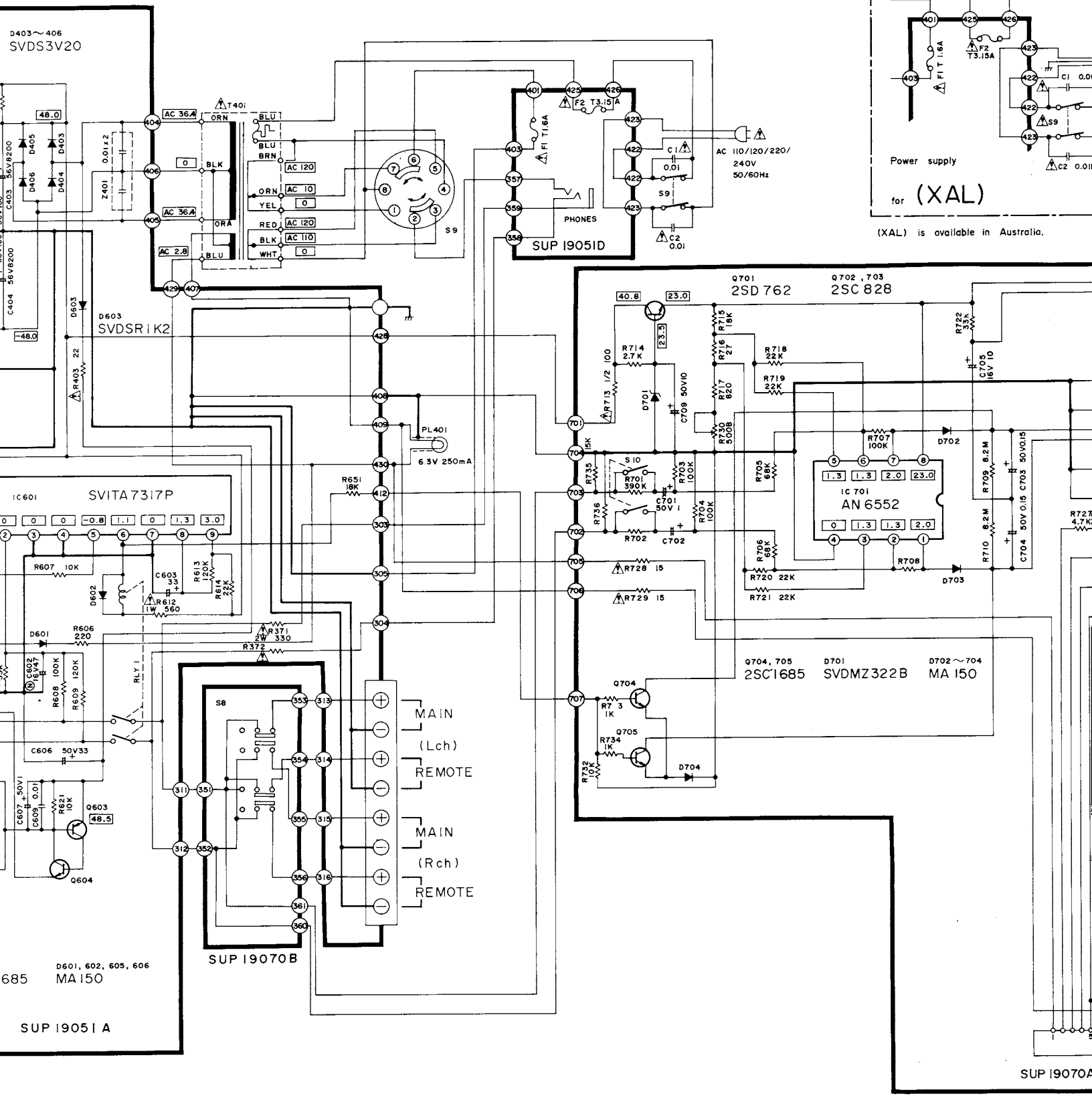
Q301, 302	Q303~306	Q307~310
2SK109	2SC2631	2SA1015
Q311, 312	Q313, 314	Q315, 316
2SA921	2SA1124	2SC2632
D301, 302	D303~310	D311, 312
MA162A	0A90	SVDMA26-1

0601, 602
2SC1980

0603
2SA1015

0604
2SC1685

SU



D403~406
SVDS3V20

D603
SVDSR 1K2

IC 601
SVITA 7317P

D601, 602, 605, 606
MA 150

SUP 19051 A

SUP 19070 B

SUP 19051 D

Q701
2SD 762

Q702, 703
2SC 828

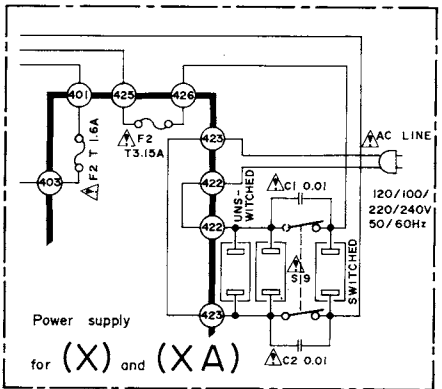
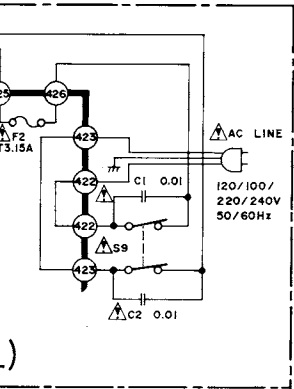
IC 701
AN 6552

Q704, 705
2SC1685

D701
SVD MZ322B

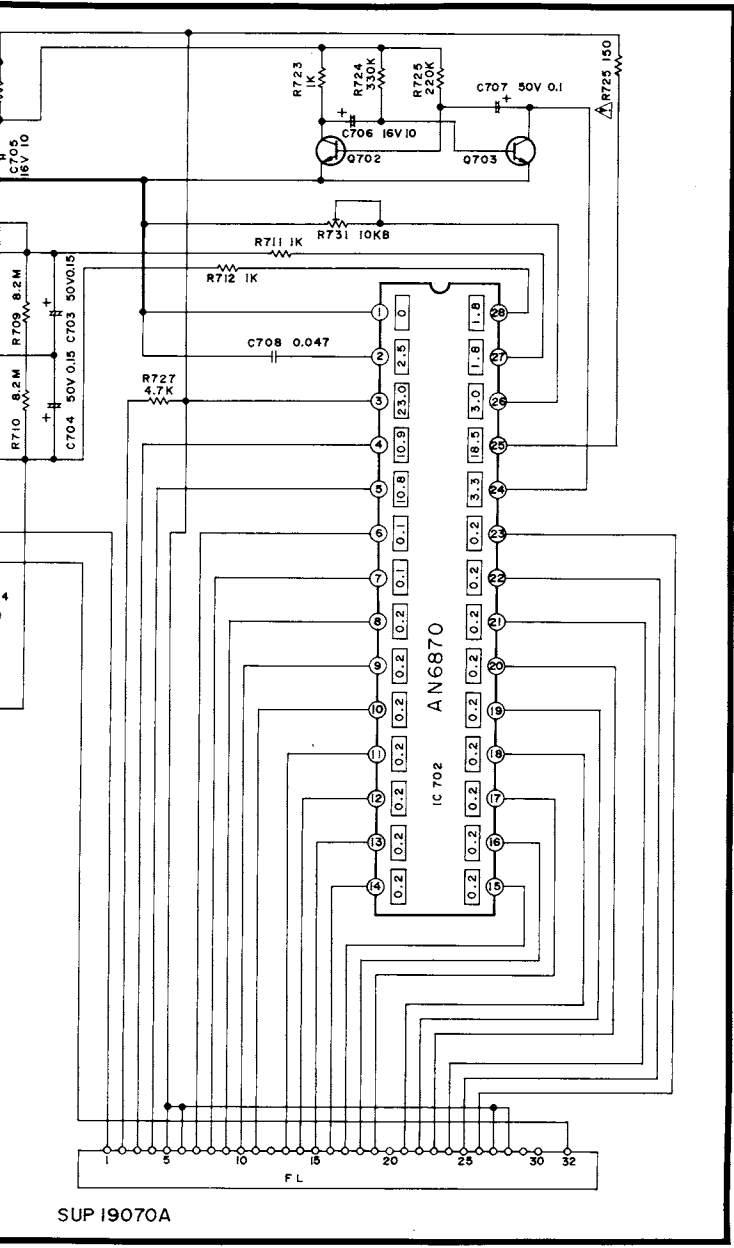
D702~704
MA 150

SUP 19070 A



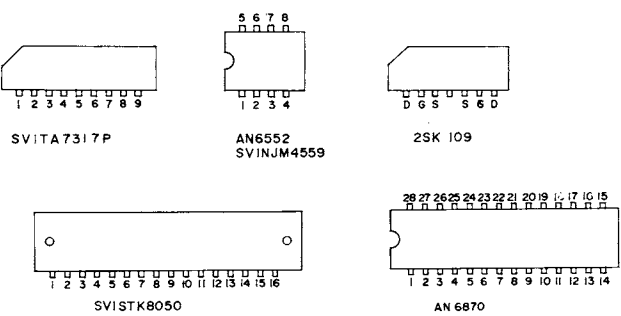
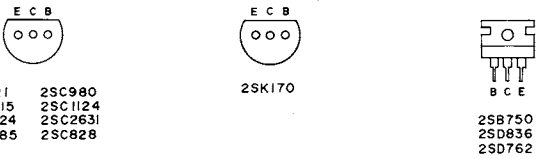
Printed in Australia.

(X) and (XA) are available in Asia Latin America, Middle East and Africa.



SUP 19070A

TERMINAL GUIDE



NOTES

1. S1 Phono selector switch in "MM" position.
MM → MC
2. S2 Input selector switch in "phono" position.
tape2 → tape1 → phono → tuner → aux
3. S3 Rec serec switch in "phono" positin.
tape2 | → tape1 2 → off → phono → tuner → aux
4. S4 Loudness switch in "off" position.
5. S5 Operaton switch in "straight DC" position.
6. S6 High filter switch in "off" position.
7. S7 Subsonic filter switch in "off" position.
8. S8 Speaker switch in "main" position.
9. S9 Power switch in "on" position.
10. S10 Mater range selector switch in "X1" position.
X1 → X0.01
11. (XAL) is available in "Australia".
(X) and (XA) are Asia, Latin America, Middle East and Africa.