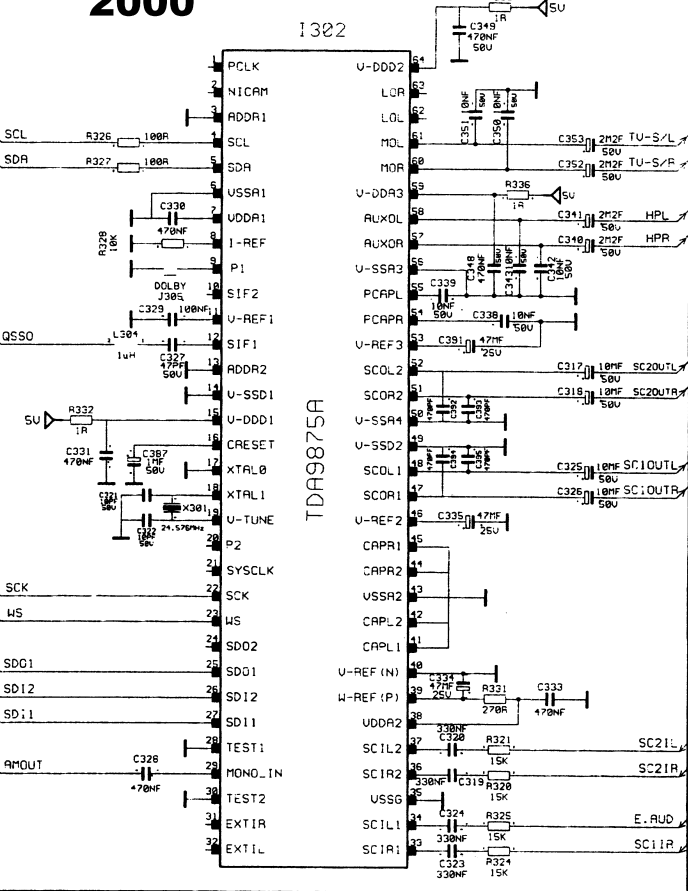
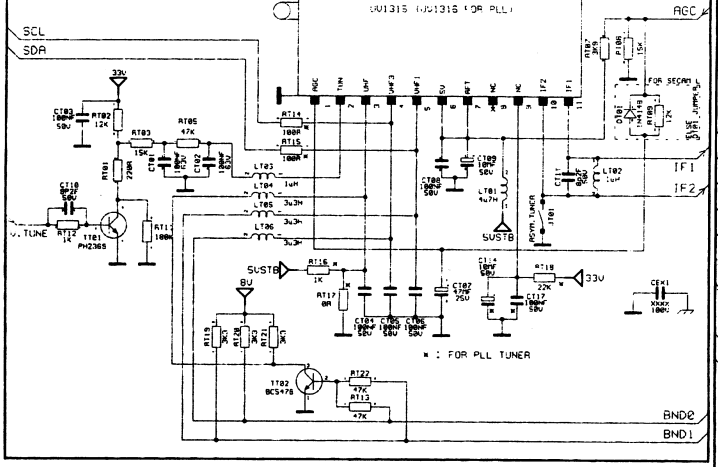


# PROSONIC 2000

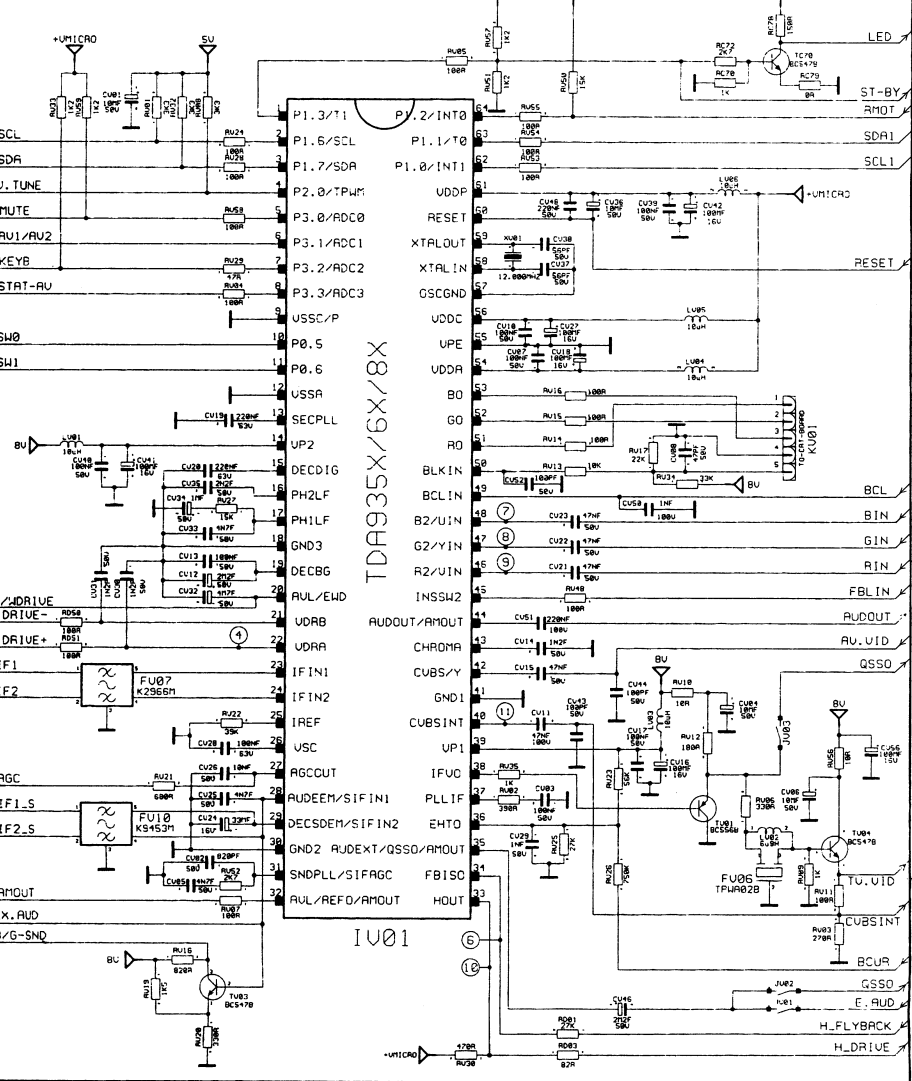
## SOUND PROCESSOR



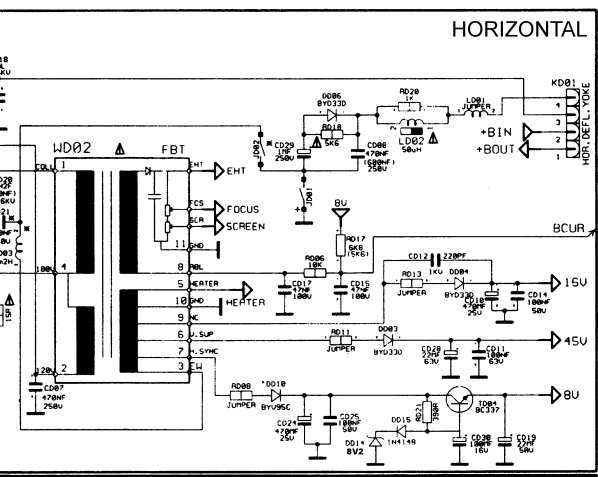
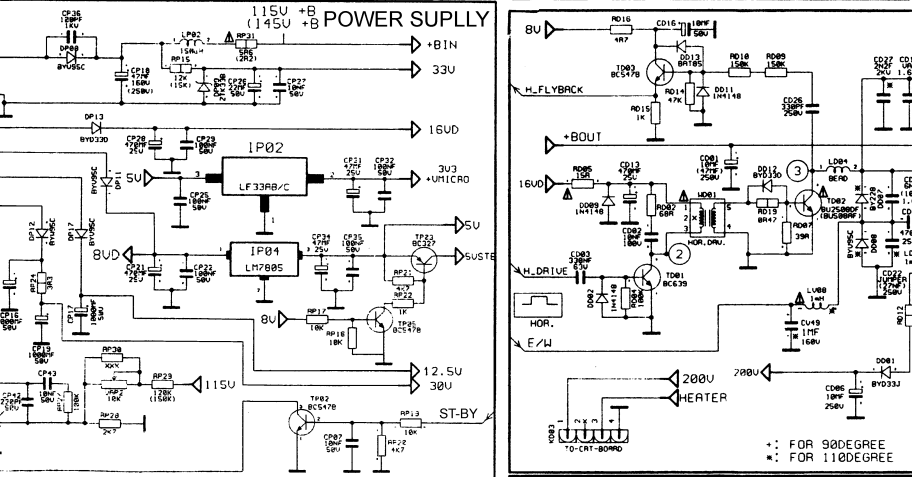
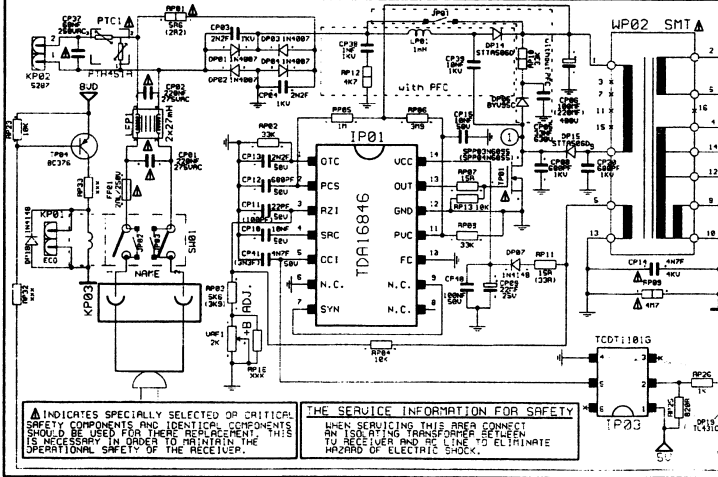
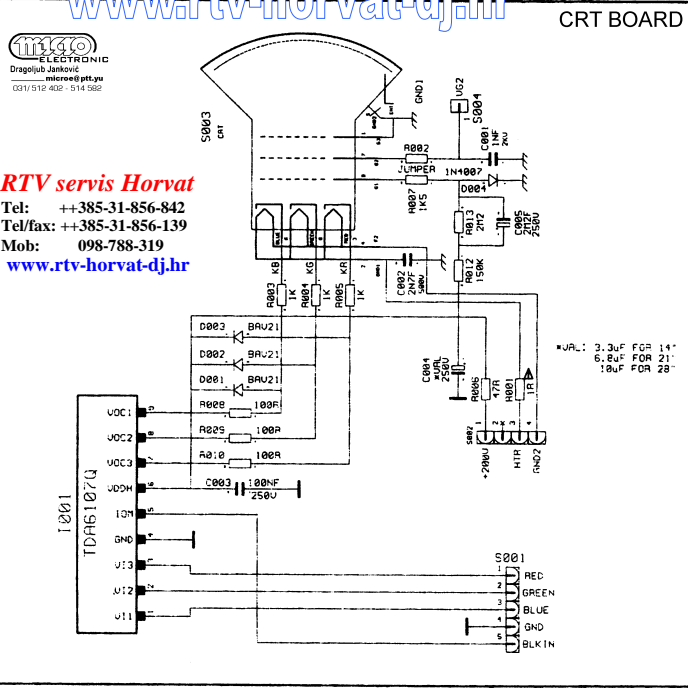
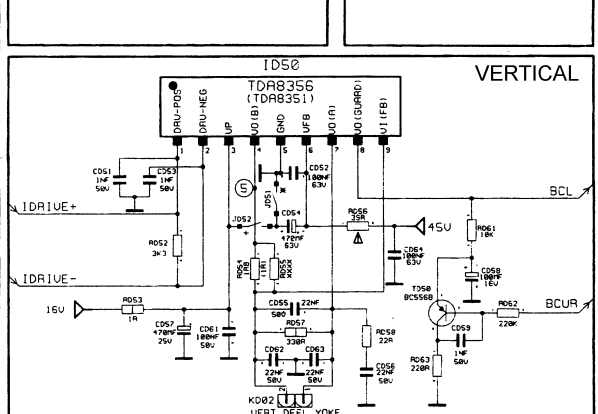
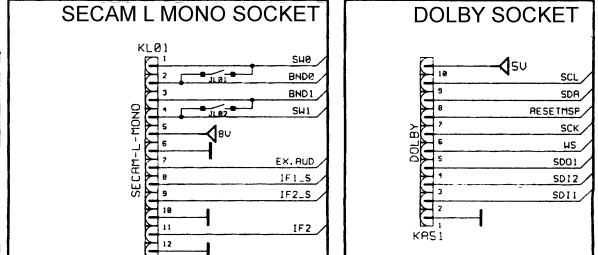
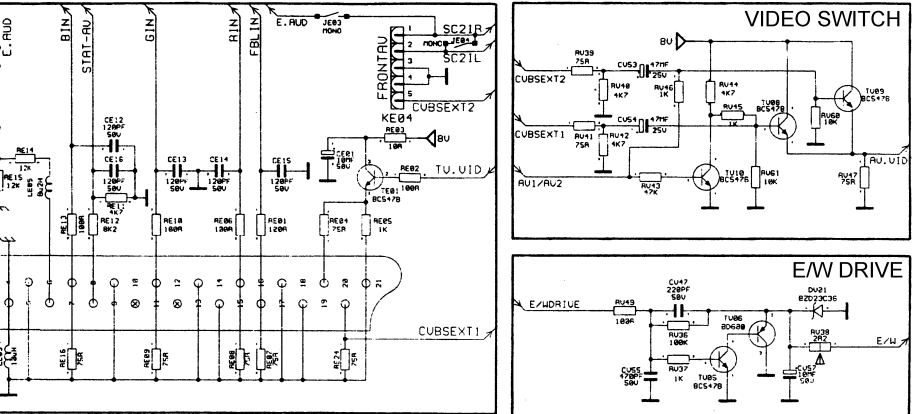
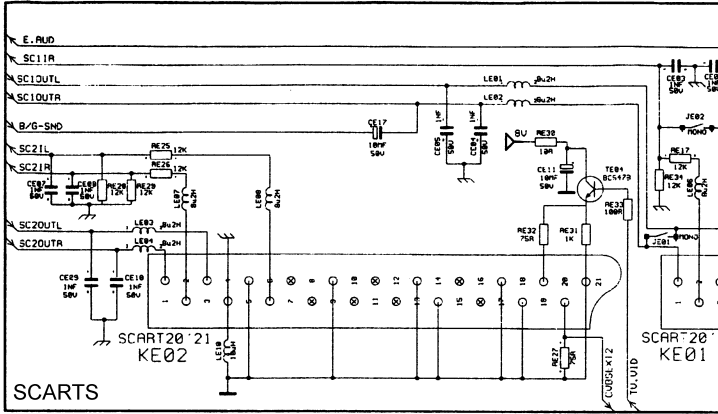
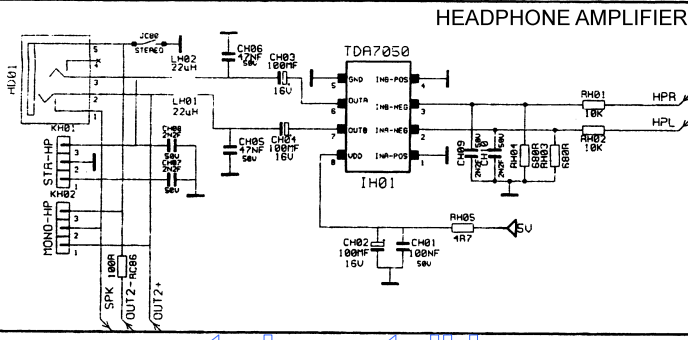
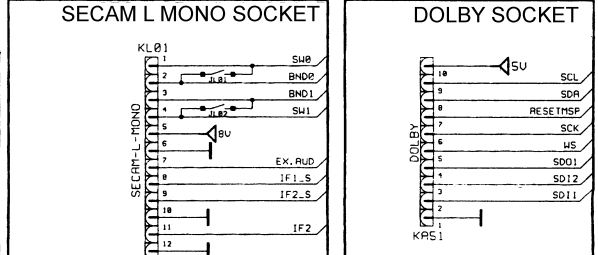
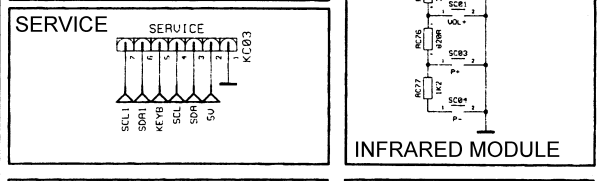
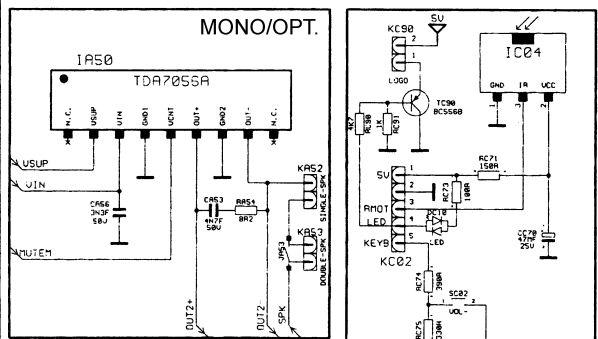
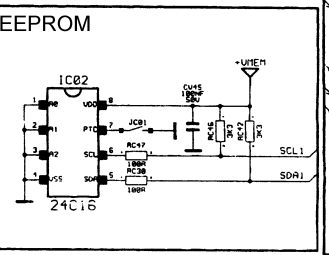
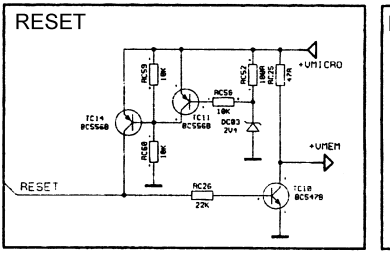
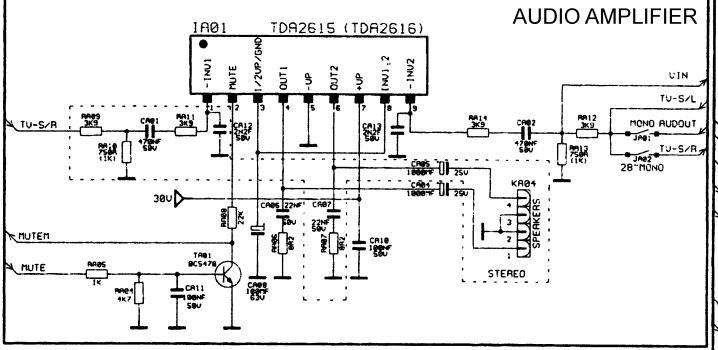
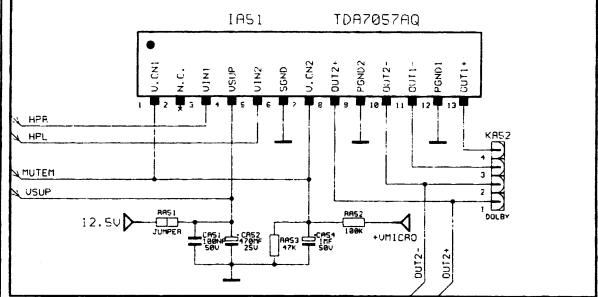
## TUNER



## CONTROLLER+VIDEO PROCESSOR



## DOLBY AMPLIFIER



www.rtv-horvat-dj.hr

RTV servis Horvat  
Tel: ++385-31-856-842  
Tel/fax: ++385-31-856-139  
Mob: 098-788-319  
www.rtv-horvat-dj.hr

INDICATES SPECIALLY SELECTED OR CRITICAL SAFETY COMPONENTS AND IDENTICAL COMPONENTS SHOULD BE USED FROM THESE RELIABLE SOURCES TO MAINTAIN THE OPERATIONAL SAFETY OF THE RECEIVER.

THE SERVICE INFORMATION FOR SAFETY: WHEN SERVICING THIS AREA, CONNECT AN ISOLATING TRANSFORMER TO ELIMINATE THE RISK OF ELECTRIC SHOCK.