

# HAMLIN Series 800

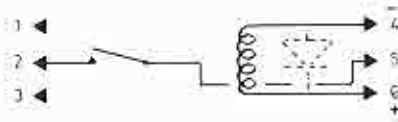
## DIL REED RELAYS

- Designed for automatic insertion into PC boards, low cost assembly.
- Long life and reliability ideally suited for telecommunication, the field of automation, measurement, and control engineering.
- Low contact resistance, low power, direct drive from micro processor.

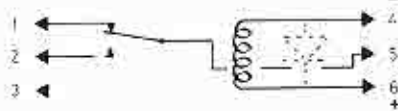


CONNECTIONS: (shown from top of relay)

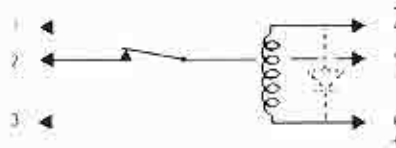
1 Form A contact



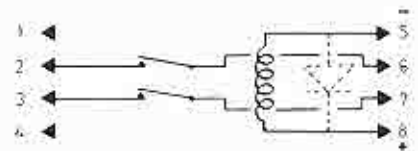
1 Form C



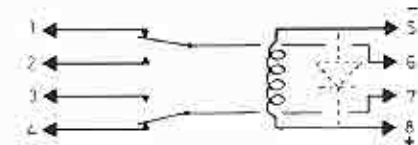
1 Form B contact



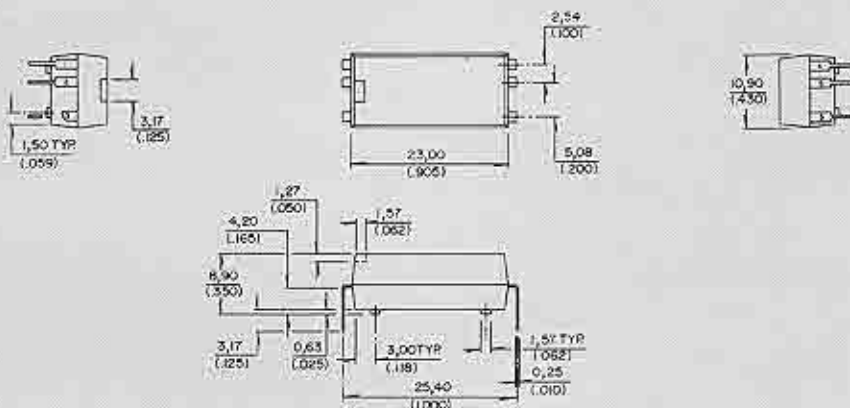
2 Form A contact



2 Form C

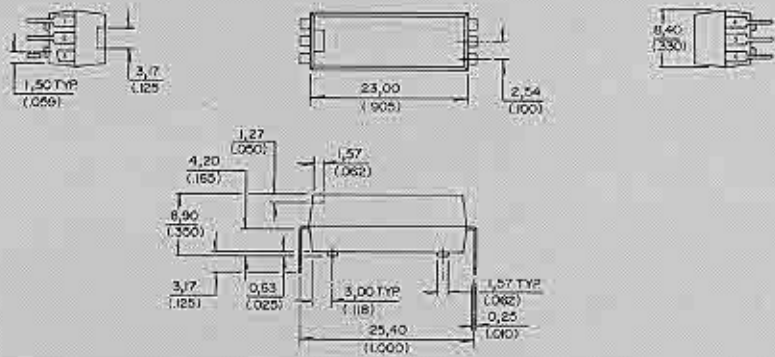


HE821B

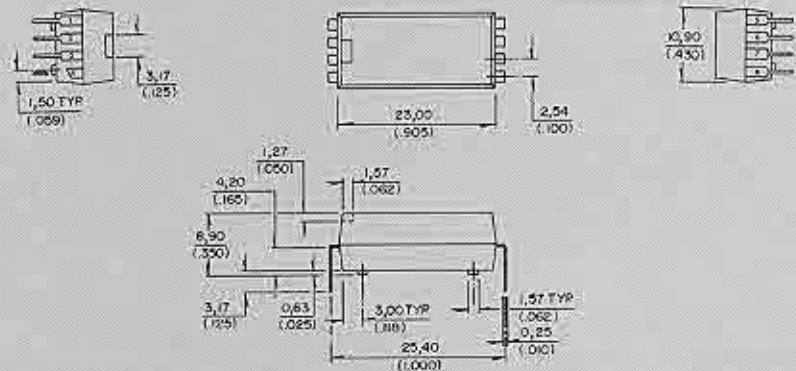


Part numbering information see inside front cover.

HE821A HE821C HE831A  
HE831C HE841A HE851A



HE822A HE822C  
HE852A



Relay part number	Coil voltage [V]	Coil resistance [ $\Omega$ ] (+10%)	Operate current [A]	Must operate voltage V max	Must release voltage V min	Operate time [ms]	Release time* [ms]	Switch type	Contact form	Switch voltage max. [V]	Switch current max. [A]	Switch rating max. [W]	Min. voltage hold-off V	Insulation resistance $\Omega$	Contact resistance $\Omega$
HE821A05**	5	190	.026	3.75	0.4	0.5	0.5	MDRR-4	A	200	0.500	10	250	10 <sup>10</sup>	200
HE821A12**	12	1150	.010	8.6	1.0	0.5	0.5	MDRR-4	A	200	0.500	10	250	10 <sup>10</sup>	200
HE821A24**	24	4200	.006	17.10	2.0	0.5	0.5	MDRR-4	A	200	0.500	10	250	10 <sup>10</sup>	200
HE822A05**	5	105	.048	3.75	0.4	0.5	0.5	MDRR-4	2A	200	0.500	10	250	10 <sup>10</sup>	200
HE822A12**	12	630	.019	8.6	1.0	0.5	0.5	MDRR-4	2A	200	0.500	10	250	10 <sup>10</sup>	200
HE822A24**	24	2300	.010	17.10	2.0	0.5	0.5	MDRR-4	2A	200	0.500	10	250	10 <sup>10</sup>	200
HE821B05**	5	175	.029	3.75	0.4	0.5	0.5	MDRR-DT	B	200	0.250	3	200	10 <sup>9</sup>	200
HE821B12**	12	950	.013	9.20	1.0	0.5	0.5	MDRR-DT	B	200	0.250	3	200	10 <sup>9</sup>	200
HE821B24**	24	3500	.007	18.50	2.0	0.5	0.5	MDRR-DT	B	200	0.250	3	200	10 <sup>9</sup>	200
HE821C05**	5	300	.017	3.75	0.4	0.5	0.5	MDRR-DT	C	200	0.250	3	200	10 <sup>9</sup>	200
HE821C12**	12	1150	.010	8.6	1.0	0.5	0.5	MDRR-DT	C	200	0.250	3	200	10 <sup>9</sup>	200
HE821C24**	24	3000	.008	17.10	2.0	0.5	0.5	MDRR-DT	C	200	0.250	3	200	10 <sup>9</sup>	200
HE822C05**	5	85	.059	3.75	0.4	0.5	0.5	MDRR-DT	2C	200	0.250	3	200	10 <sup>9</sup>	200
HE822C12**	12	410	.029	8.6	1.0	0.5	0.5	MDRR-DT	2C	200	0.250	3	200	10 <sup>9</sup>	200
HE822C24**	24	1500	.016	17.10	2.0	0.5	0.5	MDRR-DT	2C	200	0.250	3	200	10 <sup>9</sup>	200
<b>Mercury wetted contacts — mounted within 30° of the vertical</b>															
HE831A05**	5	50	.100	3.75	0.4	2.0	1.5	MDC-1	A	100	2.0	50	1000	10 <sup>11</sup>	070
HE831A12**	12	220	.056	8.6	1.0	2.0	1.5	MDC-1	A	100	2.0	50	1000	10 <sup>11</sup>	070
HE831A24**	24	1000	.024	17.10	2.0	2.0	1.5	MDC-1	A	100	2.0	50	1000	10 <sup>11</sup>	070
HE831C05**	5	50	.100	3.75	0.4	2.0	1.5	MDC-DT	C	200	1.0	20	1000	10 <sup>11</sup>	070
HE831C12**	12	220	.056	8.6	1.0	2.0	1.5	MDC-DT	C	200	1.0	20	1000	10 <sup>11</sup>	070
HE831C24**	24	1000	.024	17.10	2.0	2.0	1.5	MDC-DT	C	200	1.0	20	1000	10 <sup>11</sup>	070
<b>Mercury wetted contacts — any plane</b>															
HE841A05**	5	55	.091	3.75	0.4	2.0	1.5	MTHG-2	A	28	0.100	10	1000	10 <sup>11</sup>	100
HE841A12**	12	300	.040	8.6	1.0	2.0	1.5	MTHG-2	A	28	0.100	10	1000	10 <sup>11</sup>	100
HE841A24**	24	1150	.021	17.10	2.0	2.0	1.5	MTHG-2	A	28	0.100	10	1000	10 <sup>11</sup>	100
<b>High Voltage Hold-Off Relay†</b>															
HE851A05**	5	190	.026	3.75	0.4	0.5	0.5	MDRR-6	A	200	0.500	10	600	10 <sup>10</sup>	200
HE851A12**	12	1150	.010	8.6	1.0	0.5	0.5	MDRR-6	A	200	0.500	10	600	10 <sup>10</sup>	200
HE851A24**	24	4200	.006	17.10	2.0	0.5	0.5	MDRR-6	A	200	0.500	10	600	10 <sup>10</sup>	200
HE852A05**	5	105	.048	3.75	0.4	0.5	0.5	MDRR-6	2A	200	0.500	10	600	10 <sup>10</sup>	200
HE852A12**	12	630	.019	8.6	1.0	0.5	0.5	MDRR-6	2A	200	0.500	10	600	10 <sup>10</sup>	200
HE852A24**	24	2300	.010	17.10	2.0	0.5	0.5	MDRR-6	2A	200	0.500	10	600	10 <sup>10</sup>	200

\*Release time will be increased with diode option (see chart page 13).

\*\*Customer specifies last two digits from part numbering system on page 2.