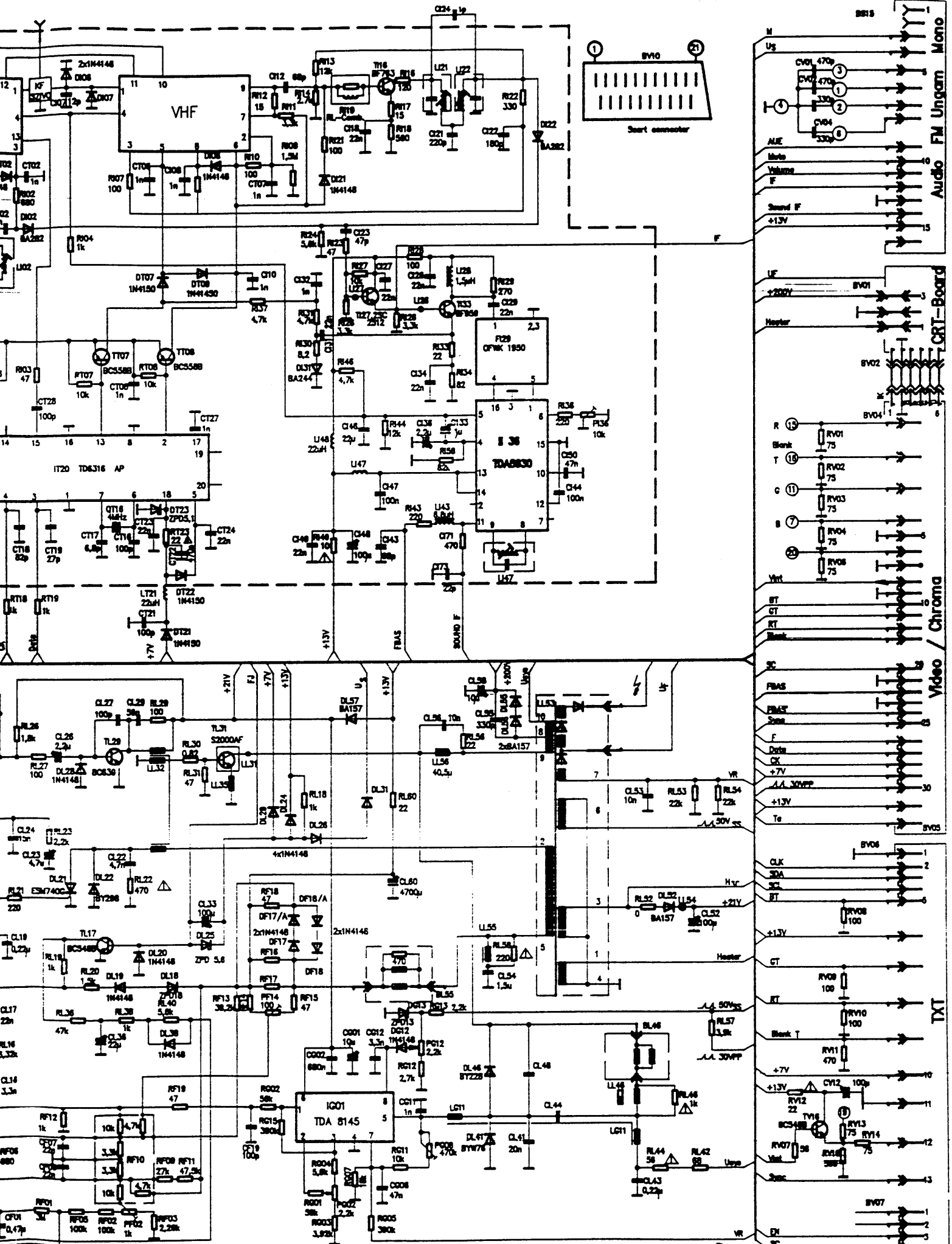


* Az SFH506 típusú IR vevő esetén az RR01 elmarad !

RR97	RR28	RR59	RR96	EN	CLK	RO1	RV07	TR08	CR34	CR08	RR07	RR06	RR11	RR10	RR12	RR13	RR14	RR15	RR16	RR17	RR18	RR19	RR20	RR21	RR22	RR23	RR24	RR25	RR26	RR27	RR28	RR29	RR30	RR31	RR32	RR33	RR34	RR35	RR36	RR37	RR38	RR39	RR40	RR41	RR42	RR43	RR44	RR45	RR46	RR47	RR48	RR49	RR50	RR51	RR52	RR53	RR54	RR55	RR56	RR57	RR58	RR59	RR60	RR61	RR62	RR63	RR64	RR65	RR66	RR67	RR68	RR69	RR70	RR71	RR72	RR73	RR74	RR75	RR76	RR77	RR78	RR79	RR80	RR81	RR82	RR83	RR84	RR85	RR86	RR87	RR88	RR89	RR90	RR91	RR92	RR93	RR94	RR95	RR96	RR97
------	------	------	------	----	-----	-----	------	------	------	------	------	------	------	------	------	------	------	------	------	------	------	------	------	------	------	------	------	------	------	------	------	------	------	------	------	------	------	------	------	------	------	------	------	------	------	------	------	------	------	------	------	------	------	------	------	------	------	------	------	------	------	------	------	------	------	------	------	------	------	------	------	------	------	------	------	------	------	------	------	------	------	------	------	------	------	------	------	------	------	------	------	------	------	------	------	------	------	------	------	------

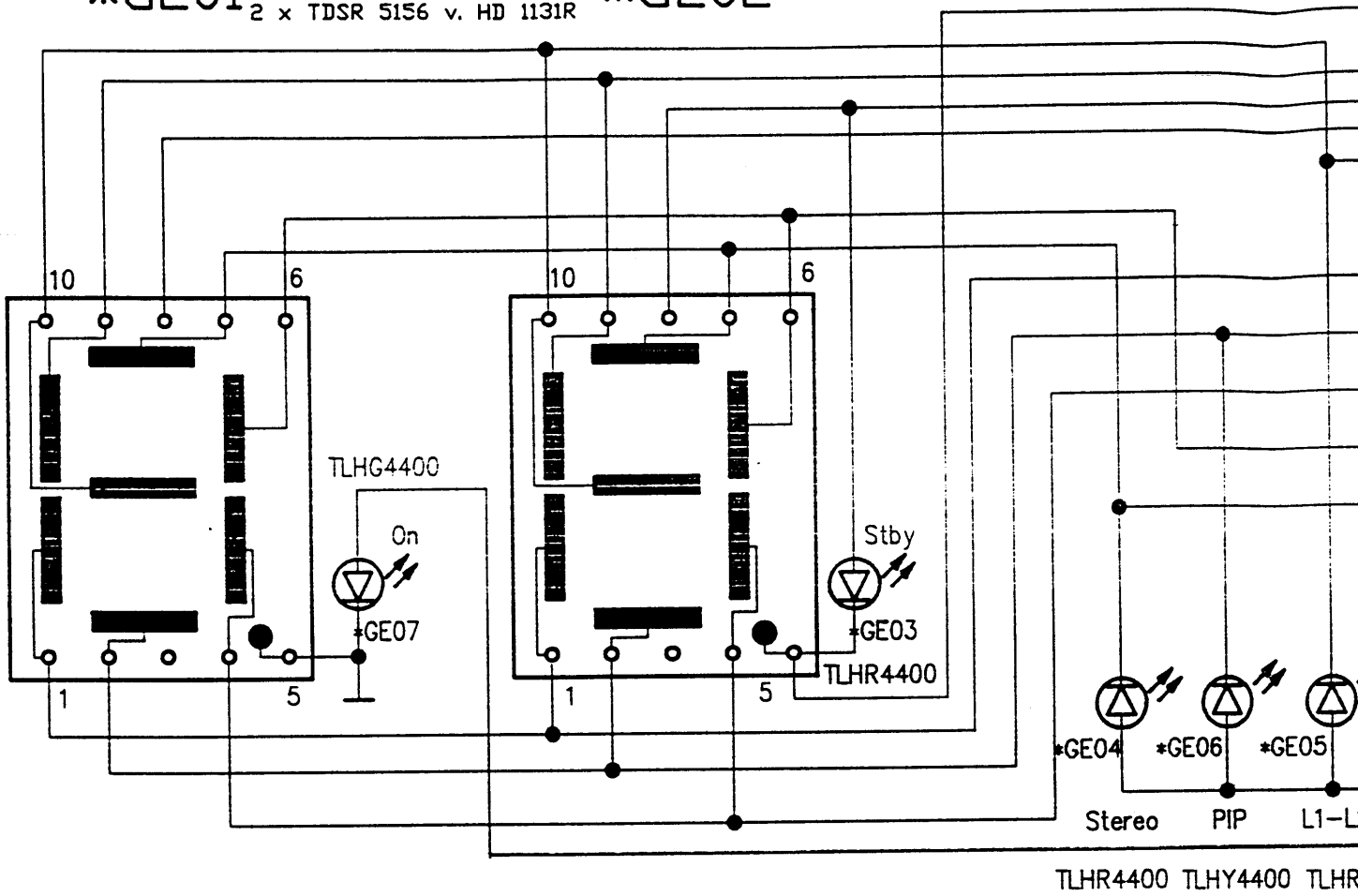


+	-	+	+	+	VT04	+	-	-	-	-	47	75µH	3,3	440n	12n	0-0114-257
-	33k	+	-	-	VT02	-	+	+	+	+	10	32µH	5,6	390n	12n	0-0114-249
+	33k	+	+	+	VT04	-	-	-	-	+	10	32µH	5,6	390n	12n	0-0114-247
-	33k	+	-	-	VT02	-	+	+	+	+	47	75µH	3,3	440n	12n	0-0114-183

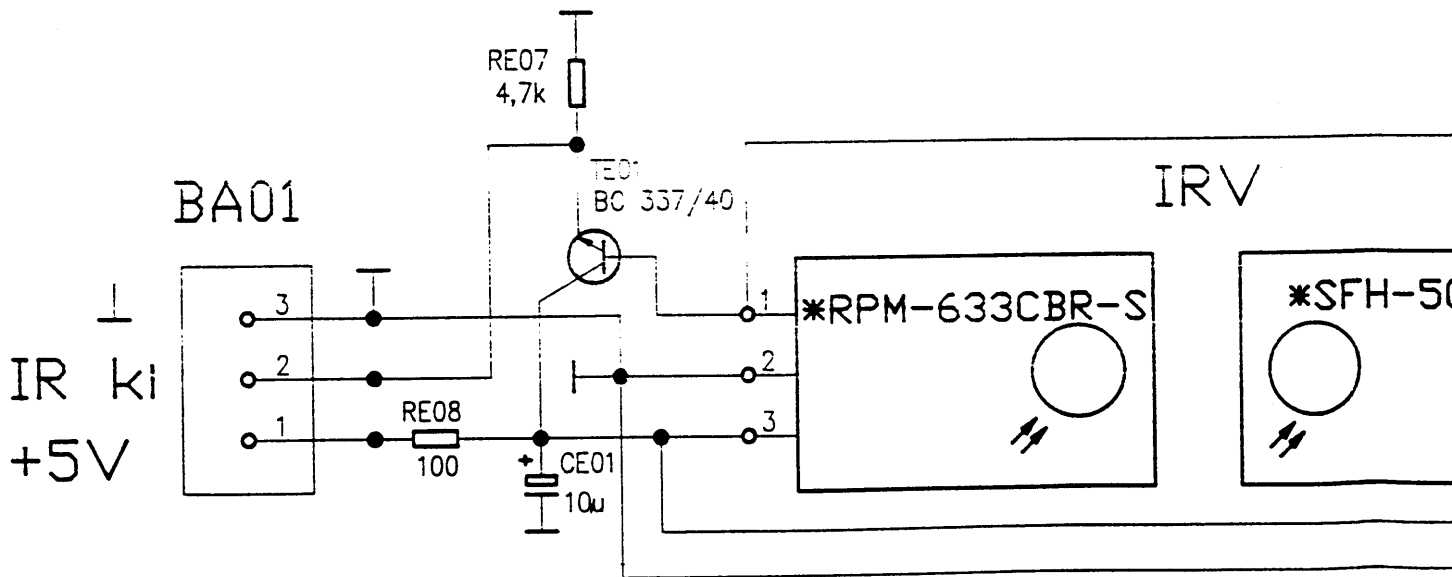
Type: ICC-5
 110', MONO
 SCHALTBILD (MAIN BOARD)
 (LEITERPLATTE)
 Notes: 1. 2. 3.
 0-0114-tsz

*GE01₂ x TDSR 5156 v. HD 1131R

*GE02

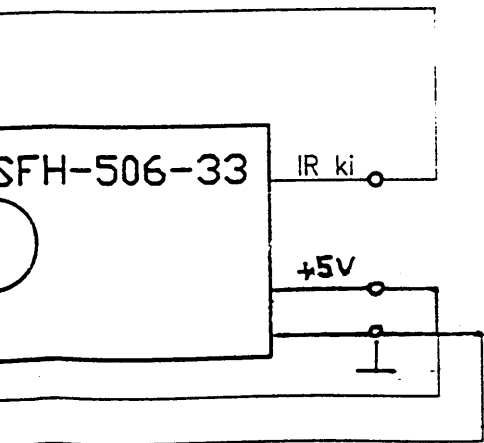
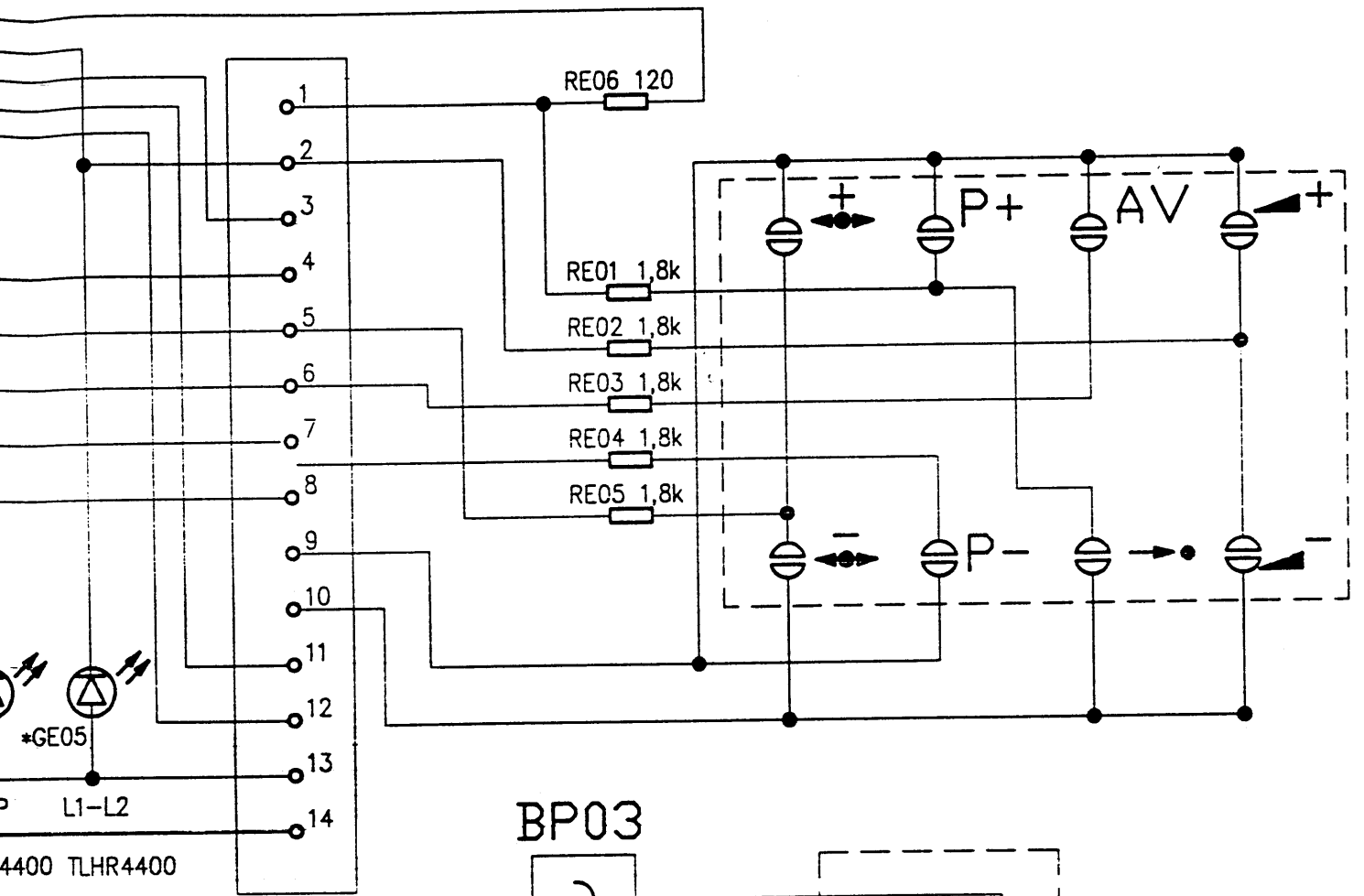


TLHR4400 TLHY4400 TLHR

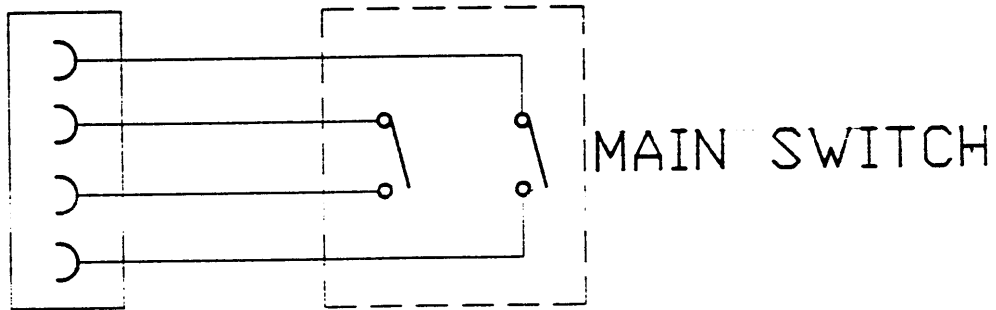


0-2411-834	PIP-OSD-TXT-SZTEREO	SFH-506-33 vagy RPM-633CBR-S	+	+	-	+	+	+	-
0-2411-833	OSD-TXT-SZTEREO	SFH-506-33 vagy RPM-633CBR-S	-	-	+	+	+	-	+
0-2411-832	OSD-TXT	SFH-506-33 vagy RPM-633CBR-S	-	-	+	-	-	-	+
0-2411-831	7 szegmenses	SFH-506-33 vagy RPM-633CBR-S	+	+	-	-	-	-	-
Szerelt kij.	Kivitel	IRV	GE01	GE02	GE03	GE04	GE05	GE06	GE07

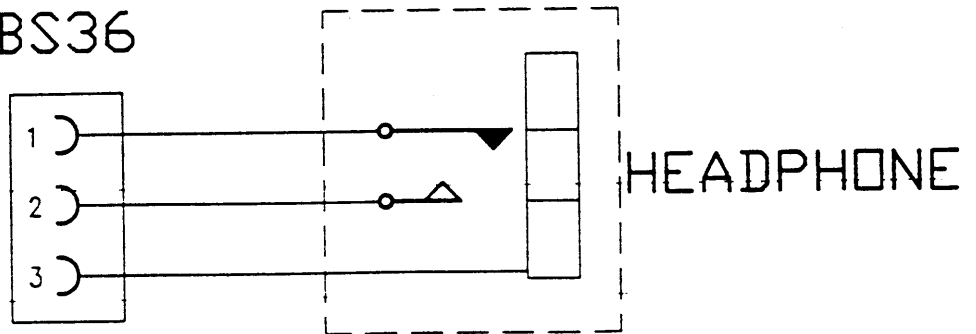
BE01



BP03



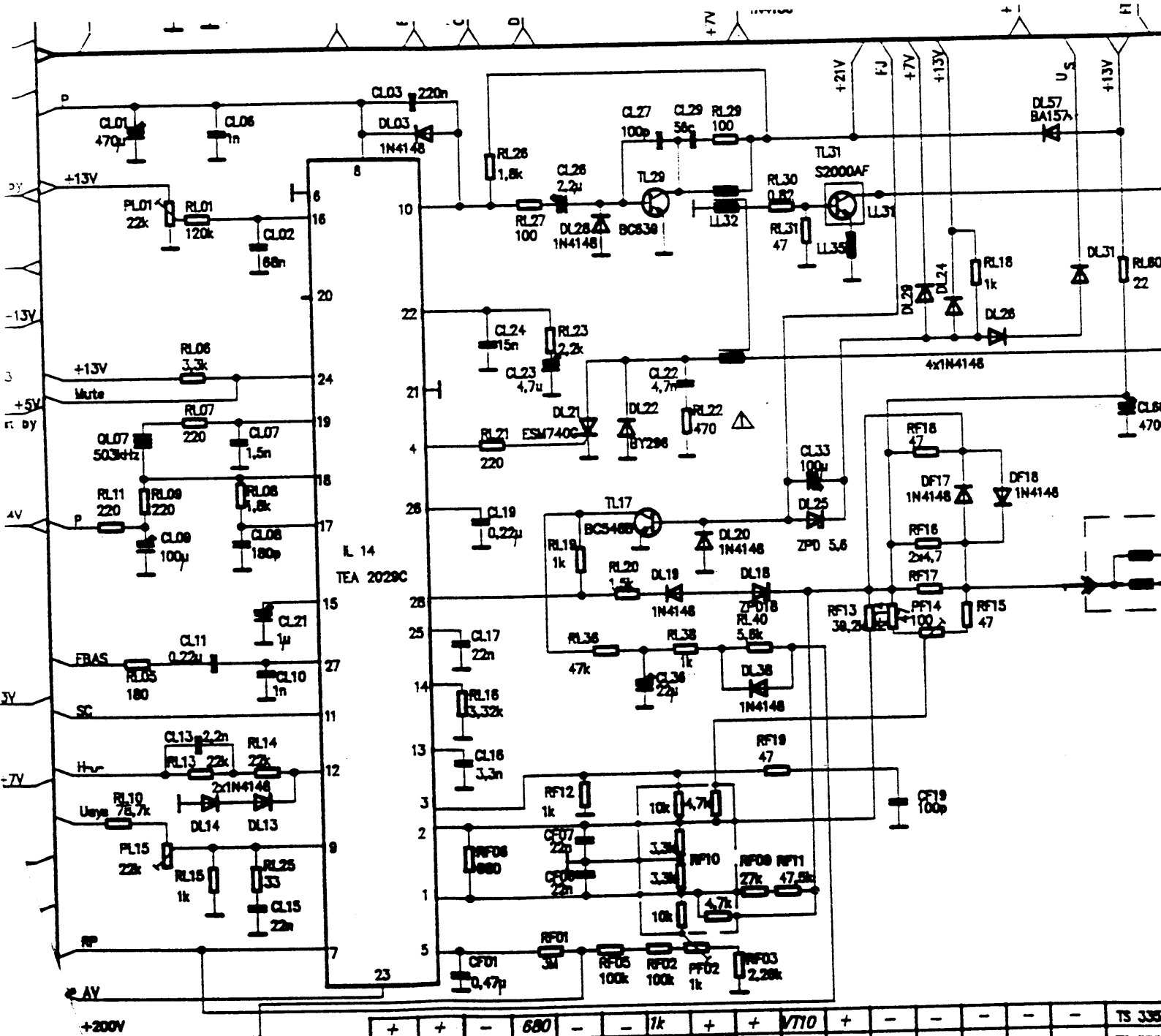
BS36



+	-
-	+
-	+
-	-
GE06	GE07

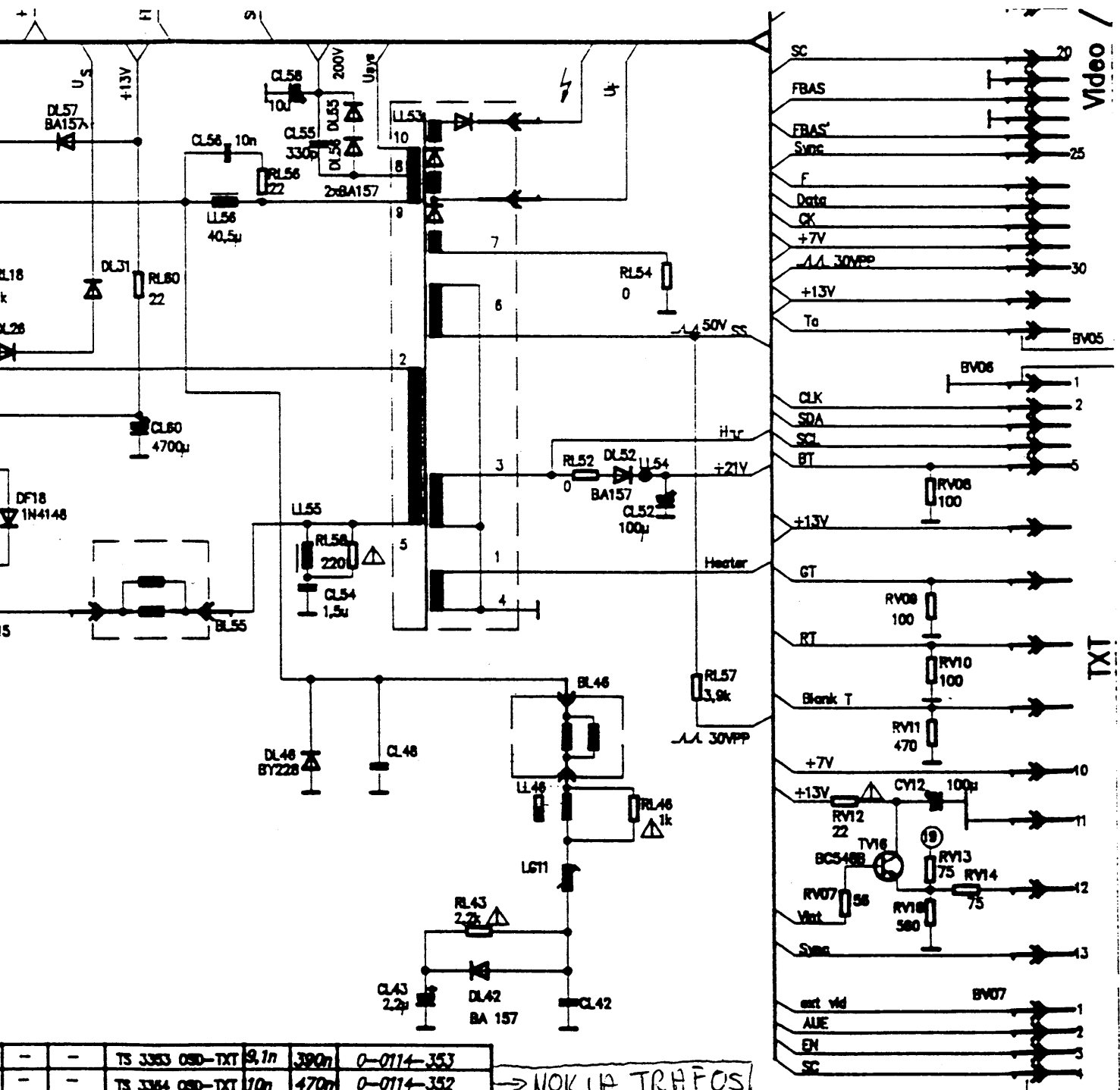
Types	ICC-5 DISPLAY BEDIE.ST. KEZ.EGYS.	CIRCUIT DIAGRAM		Date	19.11.93	19.04.94		
		SCHALTBIKD		Name				
		KAPCSOLÁSI RAJZ		Issue	1	2		
				Number	0-0114-337			

KÉSZÍTETTE: BALÁZS K.



z RR01 elmarad !

+	+	-	680	-	-	1k	+	+	VT10	+	-	-	-	-	-	TS 338
+	+	-	680	-	-	1k	+	+	VT10	+	-	-	-	-	-	TS 338
-	-	+	+	-	-	1k	+	+	VT08	+	-	-	-	-	-	TS 338
-	-	+	-	+	1	33k	-	-	VT02	-	+	+	+	+	+	TS 338
-	-	+	-	+	1	33k	-	-	VT02	-	+	+	+	+	+	TS 338
ext	AUE	RR01	RR07	RR06	RR05	RR28	EN	CLK	IR01	BV07	TR08	CR34	CR08	RR07	RR06	TS



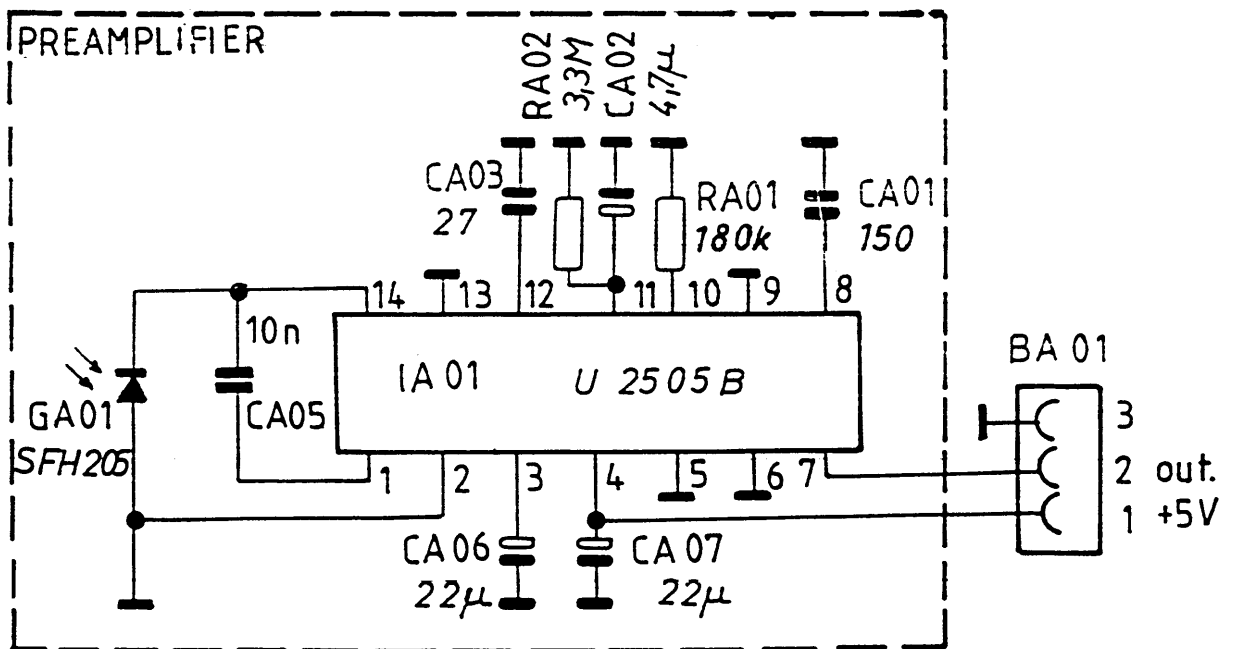
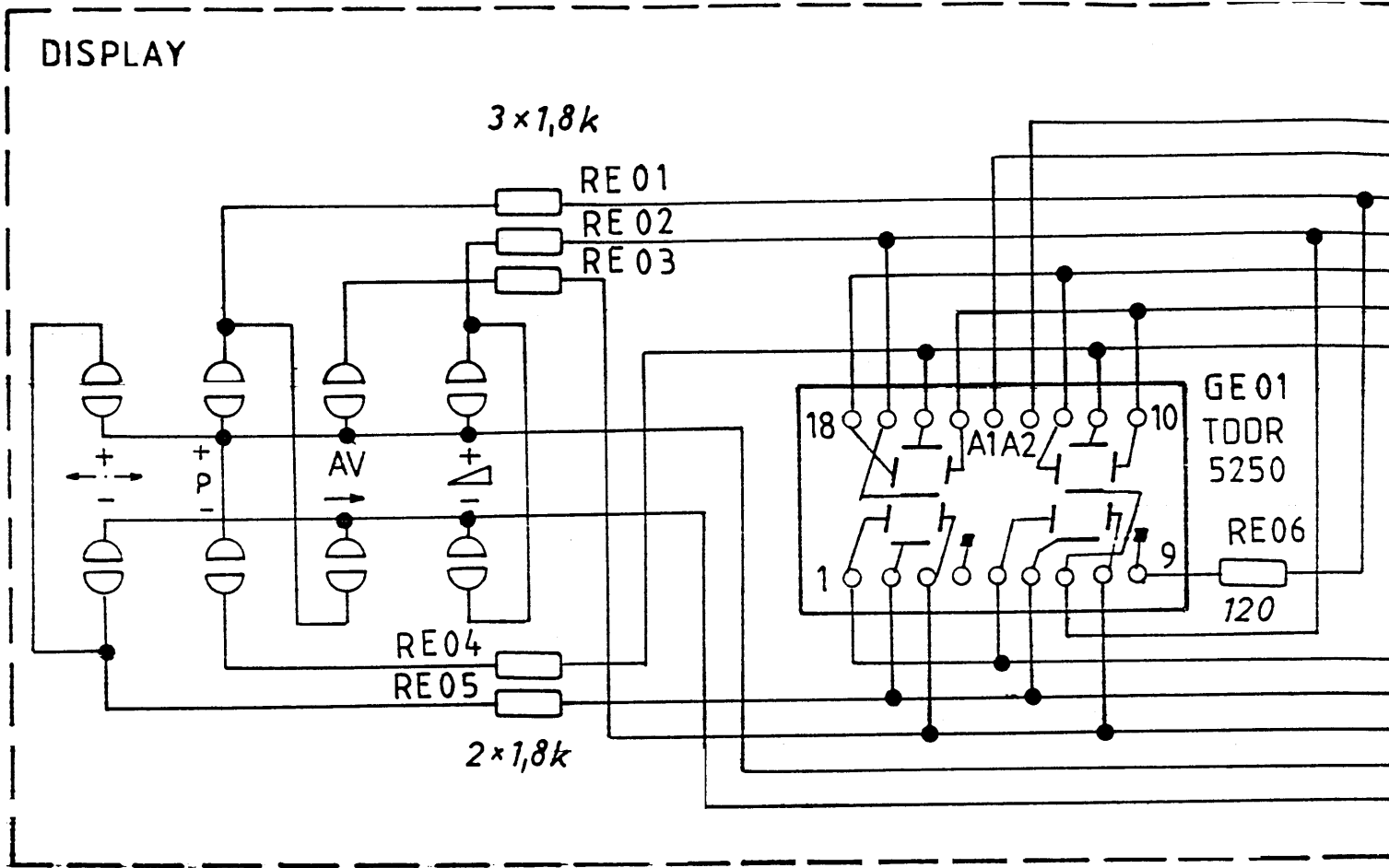
-	-	TS 3353 OSD-TXT	9,1n	390n	0-0114-353
-	-	TS 3354 OSD-TXT	10n	470n	0-0114-352
-	-	TS 3351A OSD	7,0n	390n	0-0114-312
+	+	TS 3351 befohd	9,1n	470n	0-0114-238
+	+	TS 3350 befohd	7,0n	390n	0-0114-237
VR07	VR06	Tranz	CL48	CL42	Rajtszam

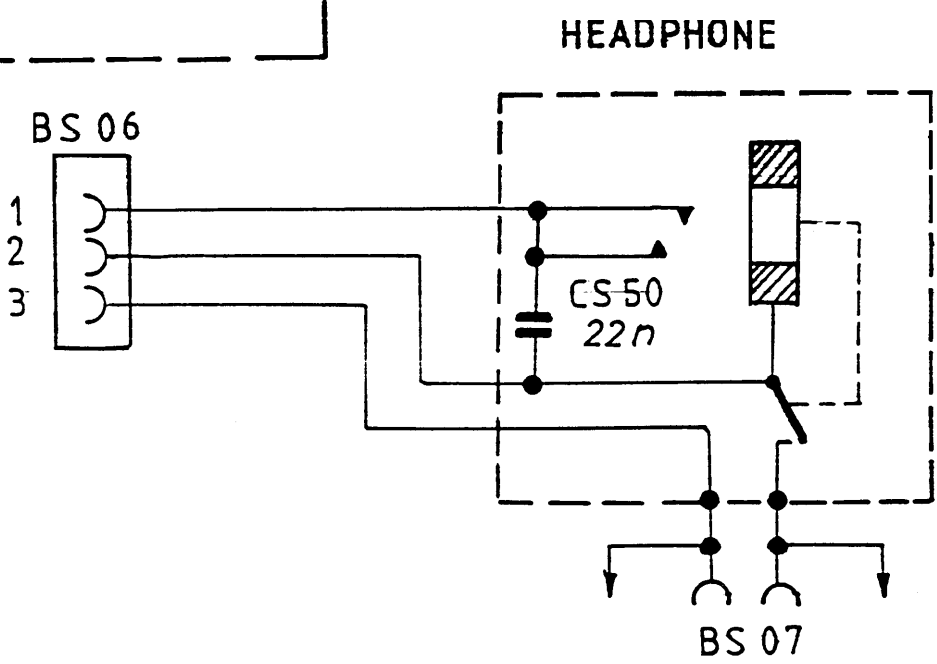
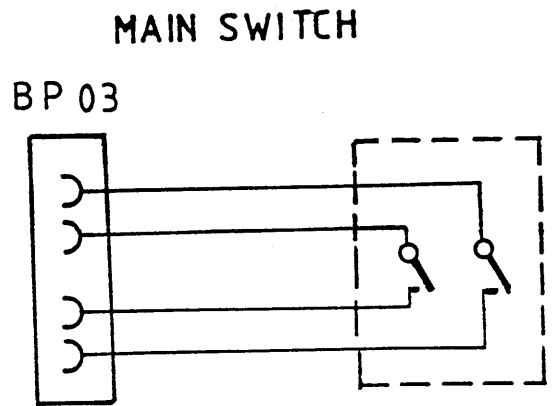
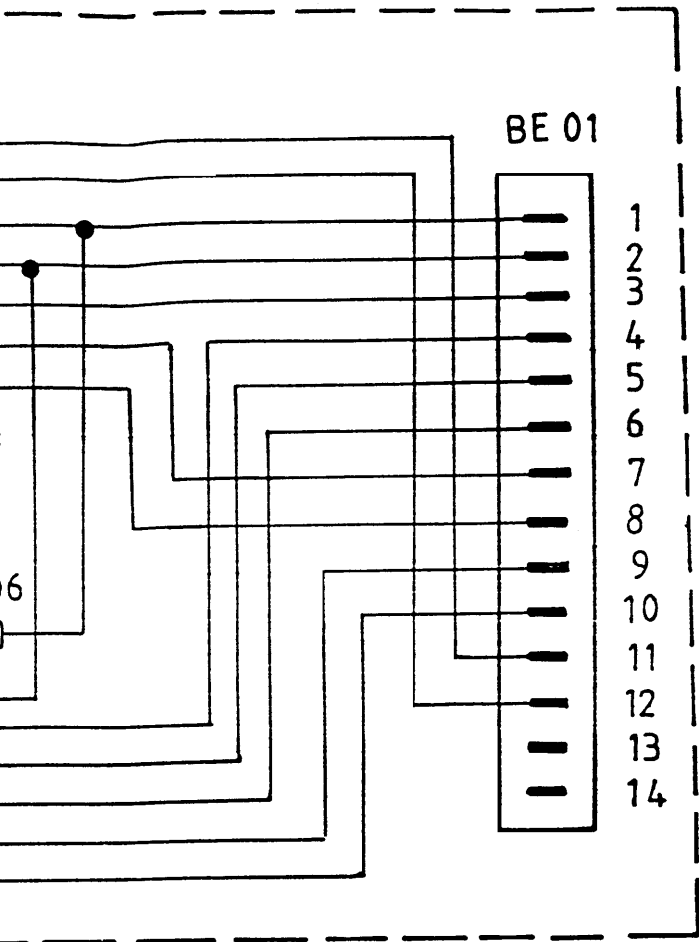
→ NOKIA TRAFOS

Types ICC-5
90°, MONO

CIRCUIT DIAGRAM
(MAIN BOARD)
SCHALTBILD
(LEITERPLATTE)

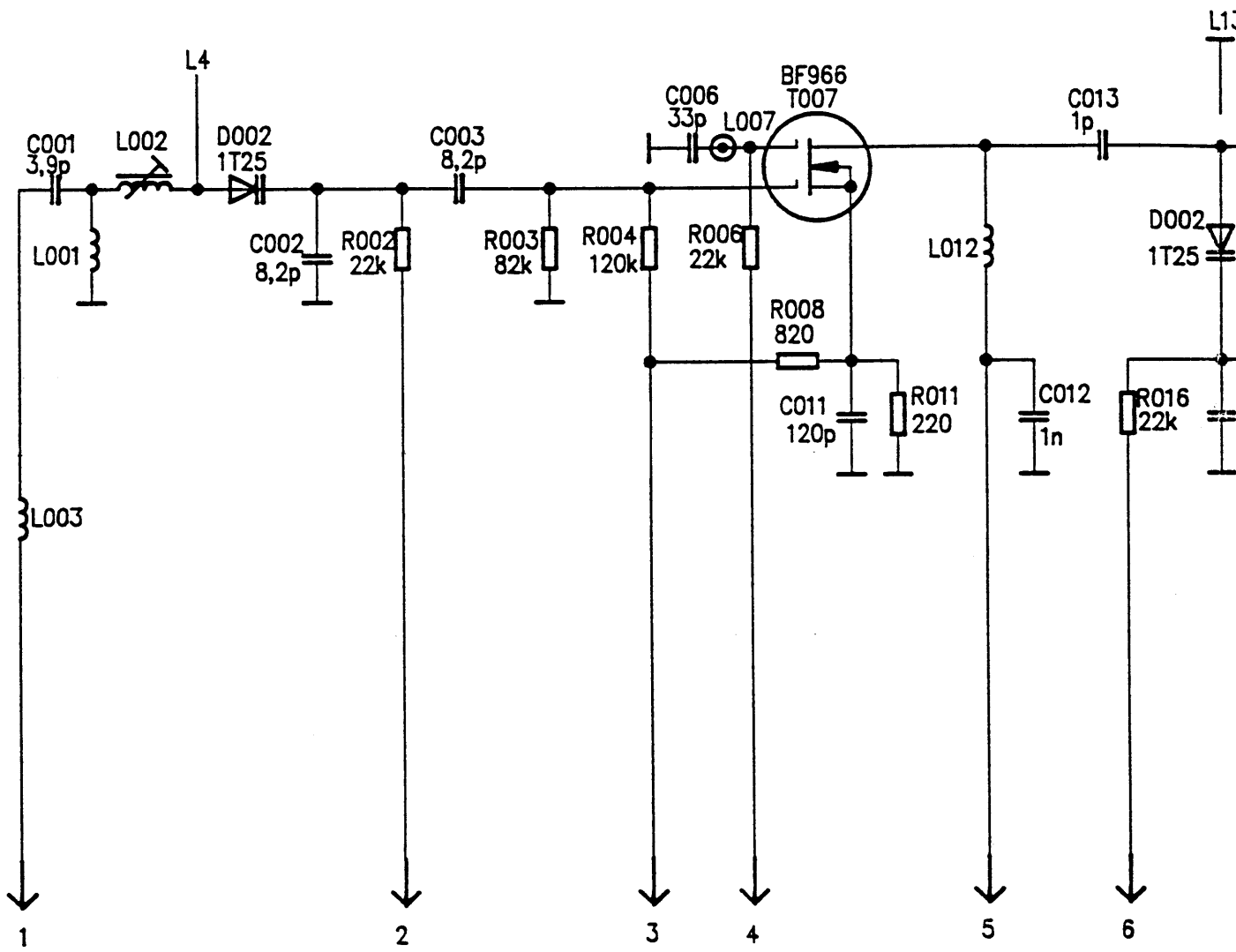
Date	Norma	Issued	3	4	5
Number	0-0114-ts				

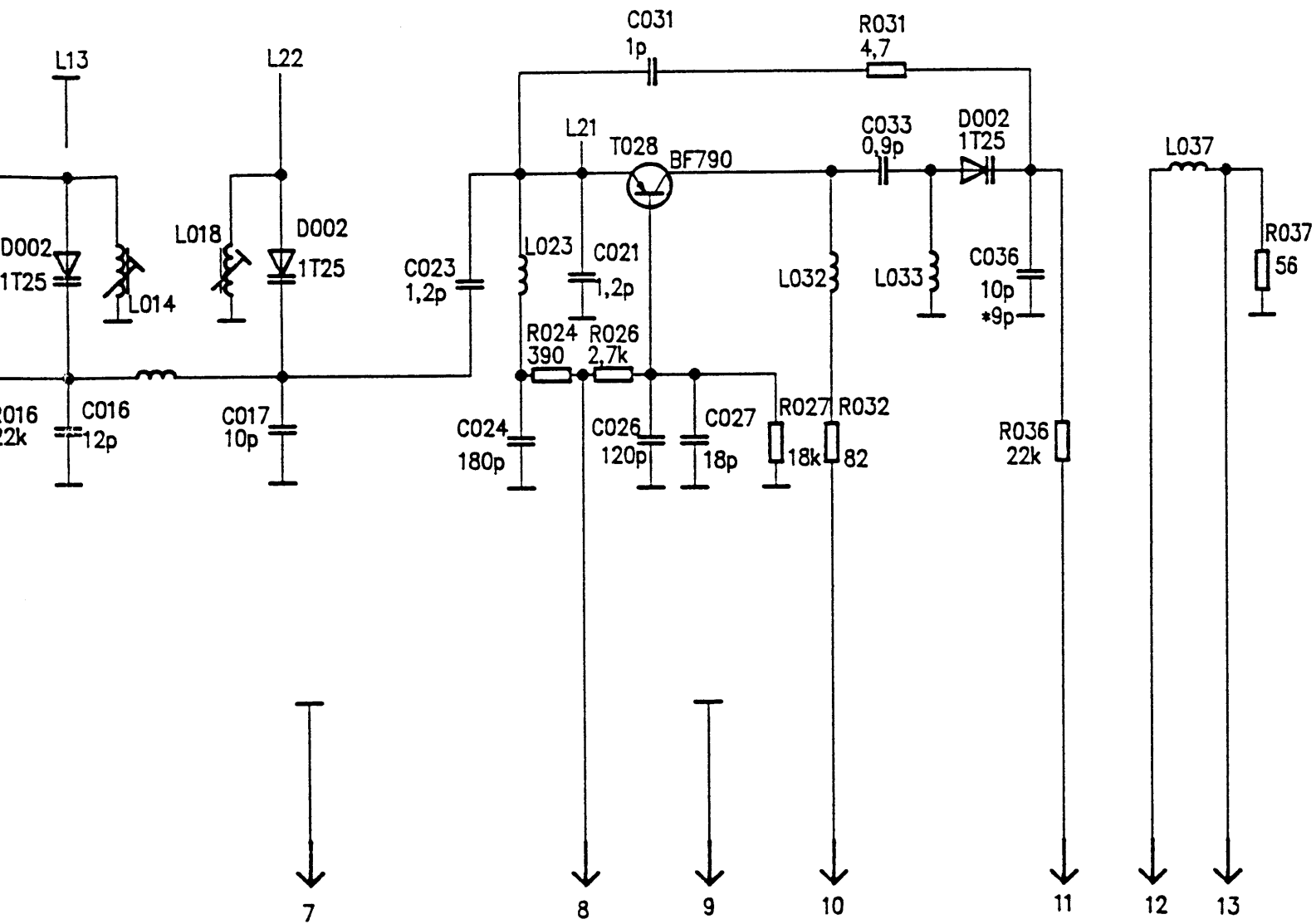




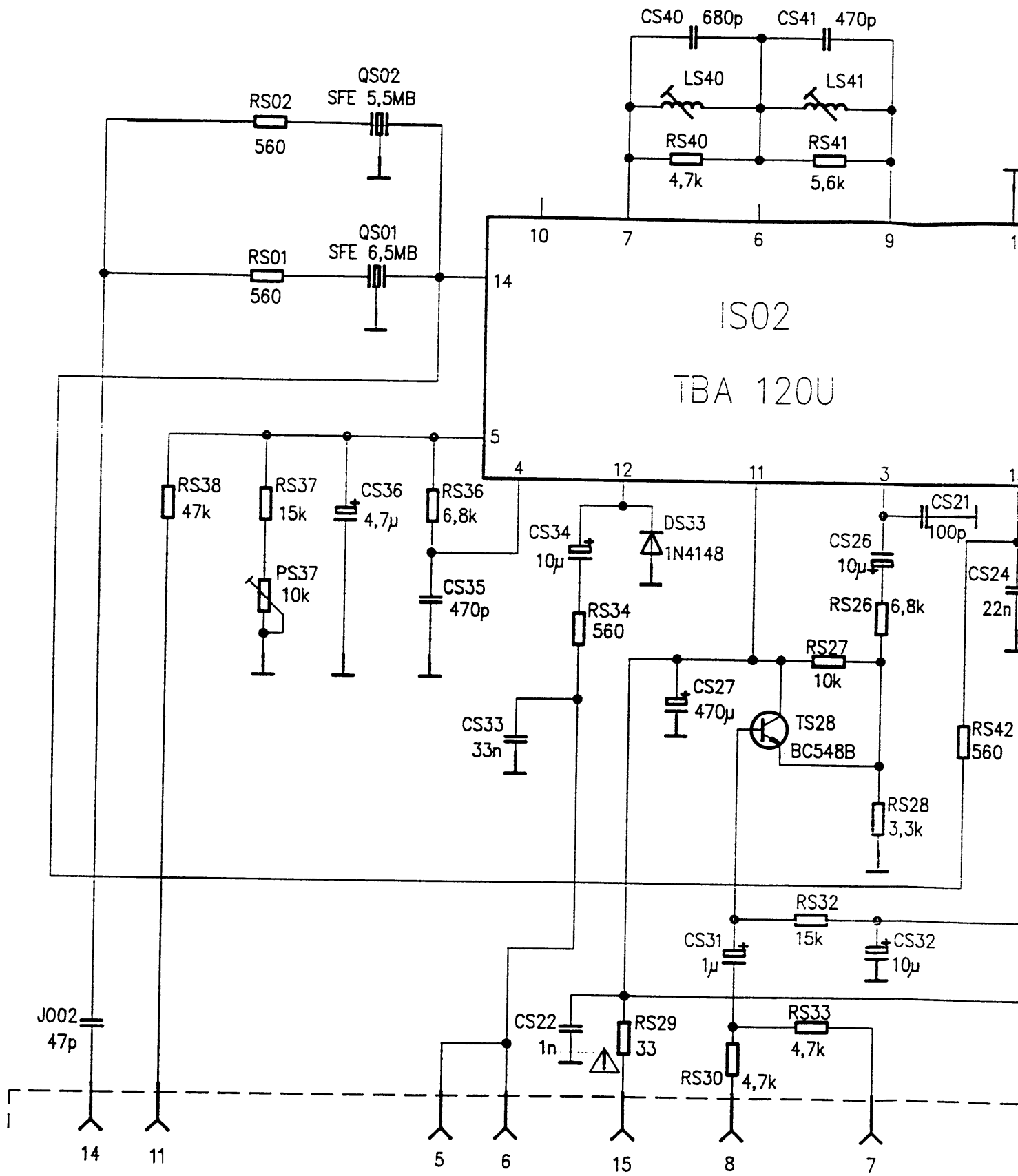
t.
V

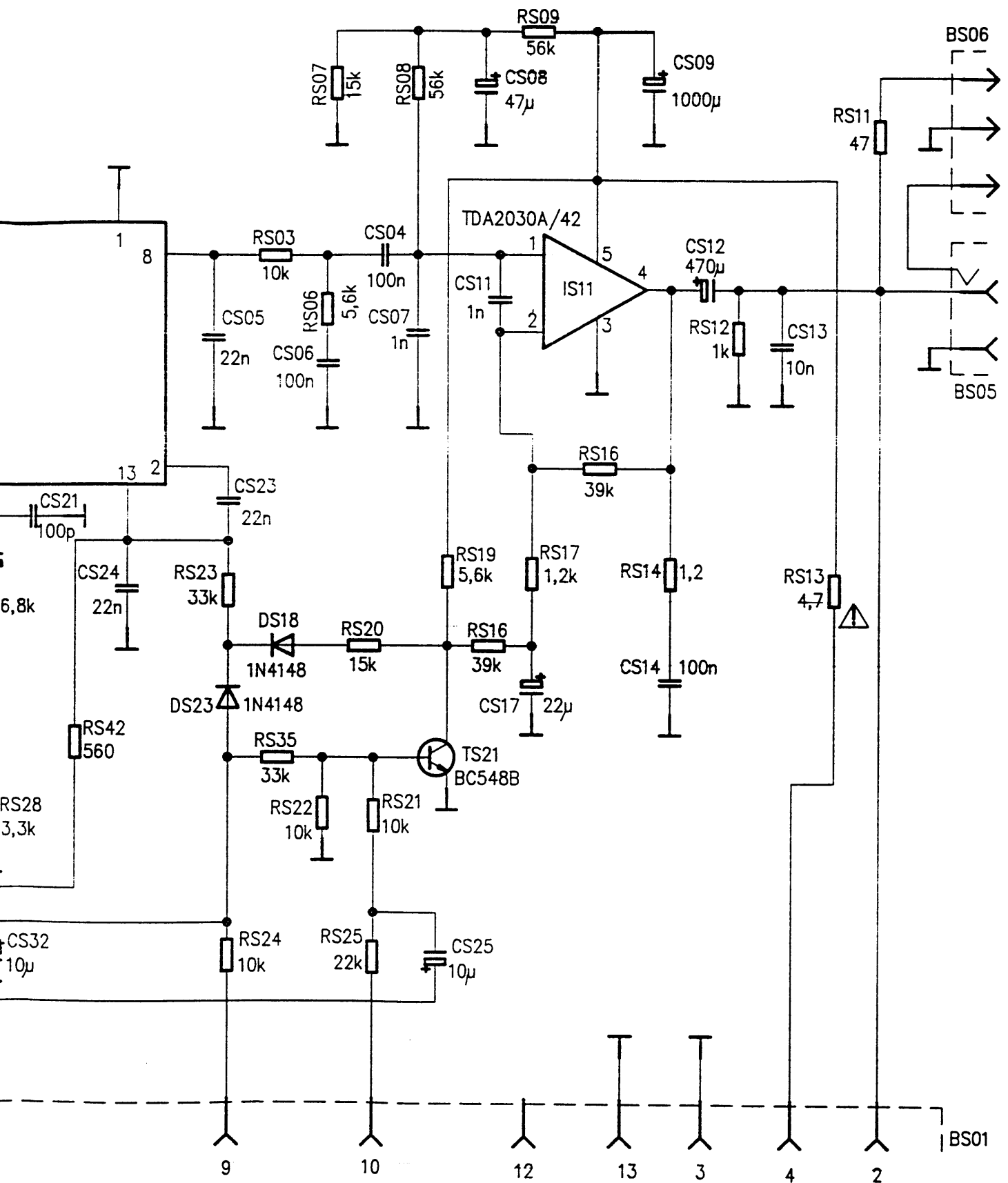
CIRCUIT DIAGRAM



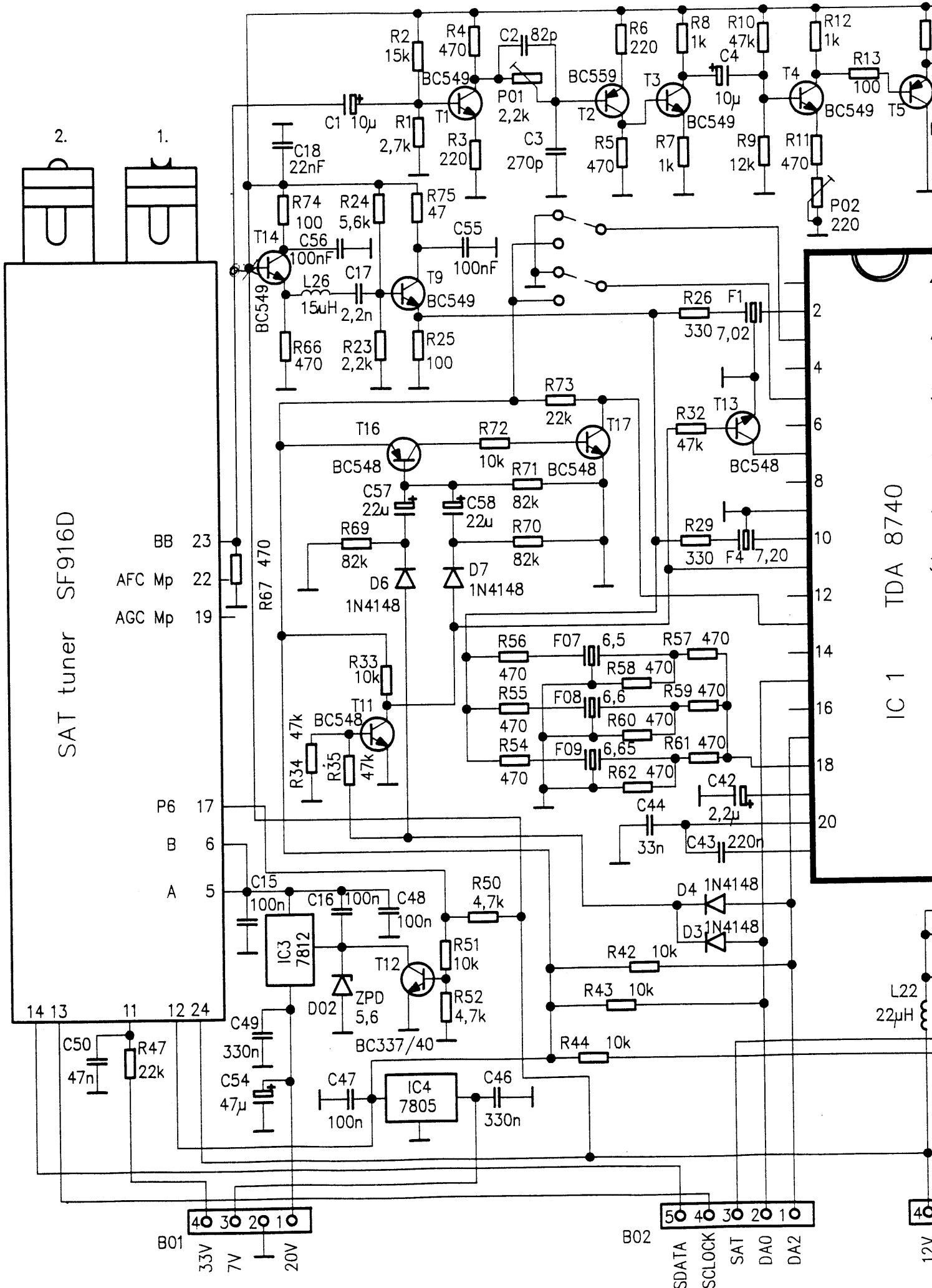


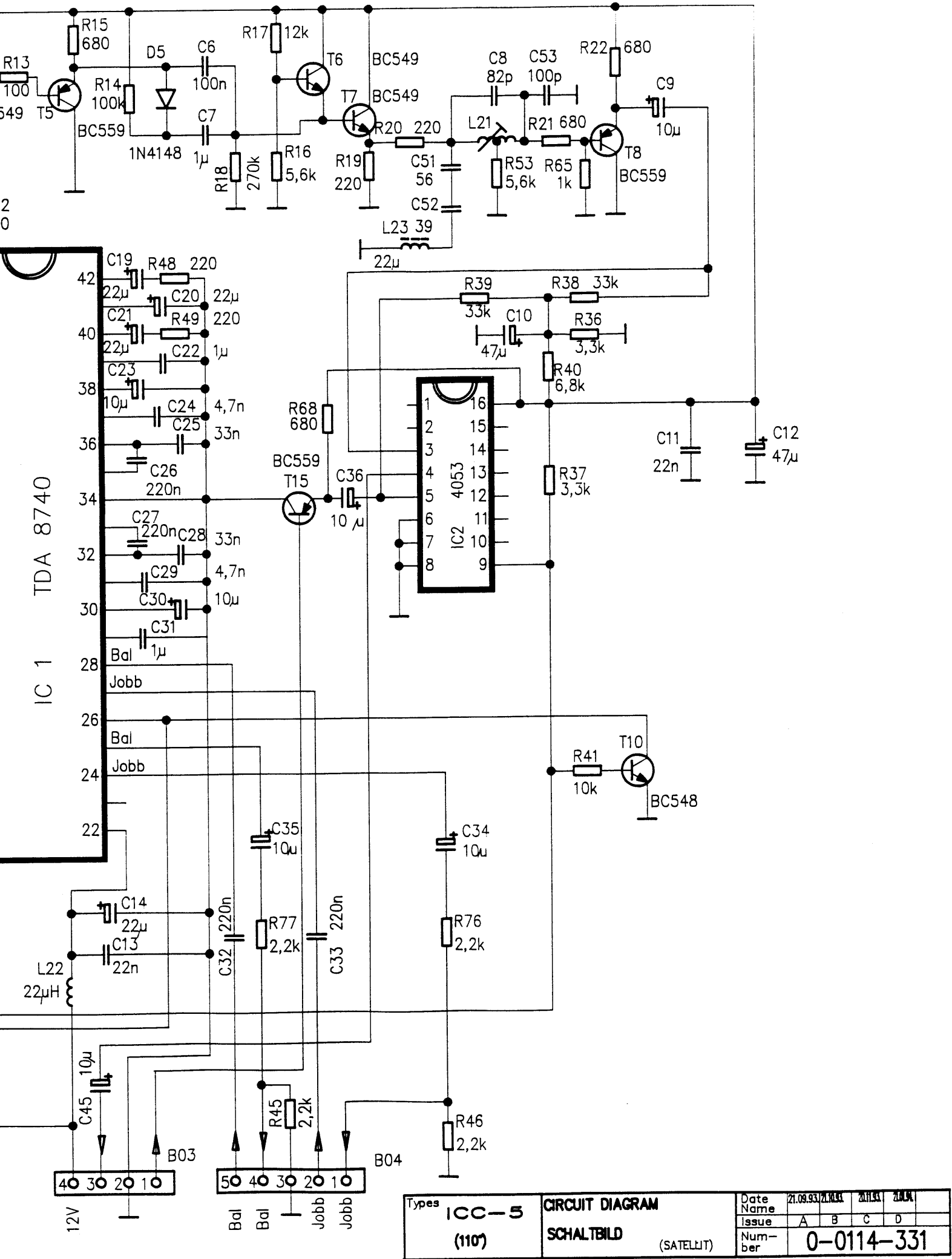
Types ICC-5 (90°, 110°)	CIRCUIT DIAGRAM SCHALTBILD (UHF)	Date	19.01.93		
		Issue			
		Num-ber	0-0114-168		





Types ICC-5 (90°,110°,OC,MONO)	CIRCUIT DIAGRAM (FM SOUND MOD.) SCHALTBILD (TON MOD.)	Date	01.13.93	06.15.93	
		Name			
		Issue	A		
		Number	0-0114-169		





Types ICC-5 (110)	CIRCUIT DIAGRAM		Date	21.09.93	21.09.93	21.09.93	21.09.93
	SCHALTBILD		Issue	A	B	C	D
	(SATELLIT)		Number	0-0114-331			