

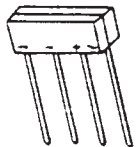
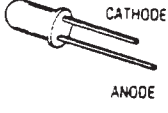



TERMINAL VIEW OF SEMICONDUCTOR

DIODE

FIGURE	DESCRIPTION	REFERENCE NO.
	1N4003TA GU3C ERB24-06D RU-1AV	D301,D406,D501 D804,D902,D903 D904 D402,D403,D404 D451,D806
	1S2471TA 1N4148TA	D211 D102,D407,D502 D503,D506,D901 D01-12,D25-35
	RB-156	3D801
	KLR114	LD01-13
	KA33V	D405

TRANSISTOR

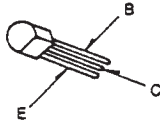

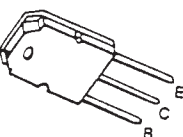
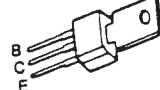
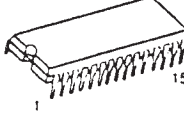
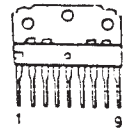
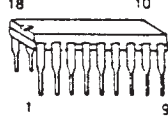
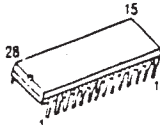
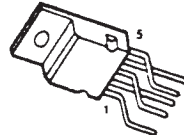
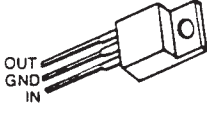
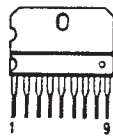
	KTC2229-O BF421	Q401,Q902 Q904,Q906
	KTC1959-Y KTA1015-O KTA1015-Y KTC388A KTC1815-O	Q01,Q05,Q06 Q07,Q08,Q09 Q10,Q15,Q161 Q201,Q501,Q907
	2SD1911	Q402,Q801

FIGURE	DESCRIPTION	REFERENCE NO.
	KTC2068	Q901,Q903 Q905

IC

	LA7520	IC101
	TDA2579	IC301
	TDA3653	IC401
	TDA3562A	IC501
	TDA2006	IC601
	GL7812	IC701
	IC801	TDA4601