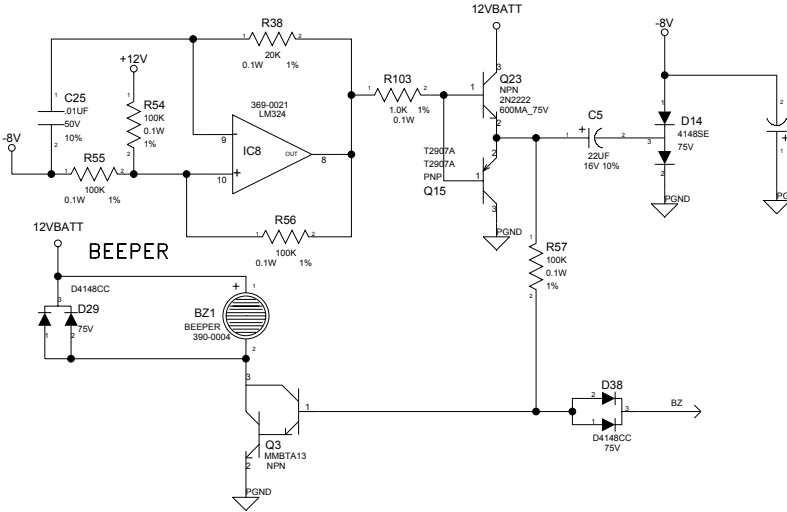
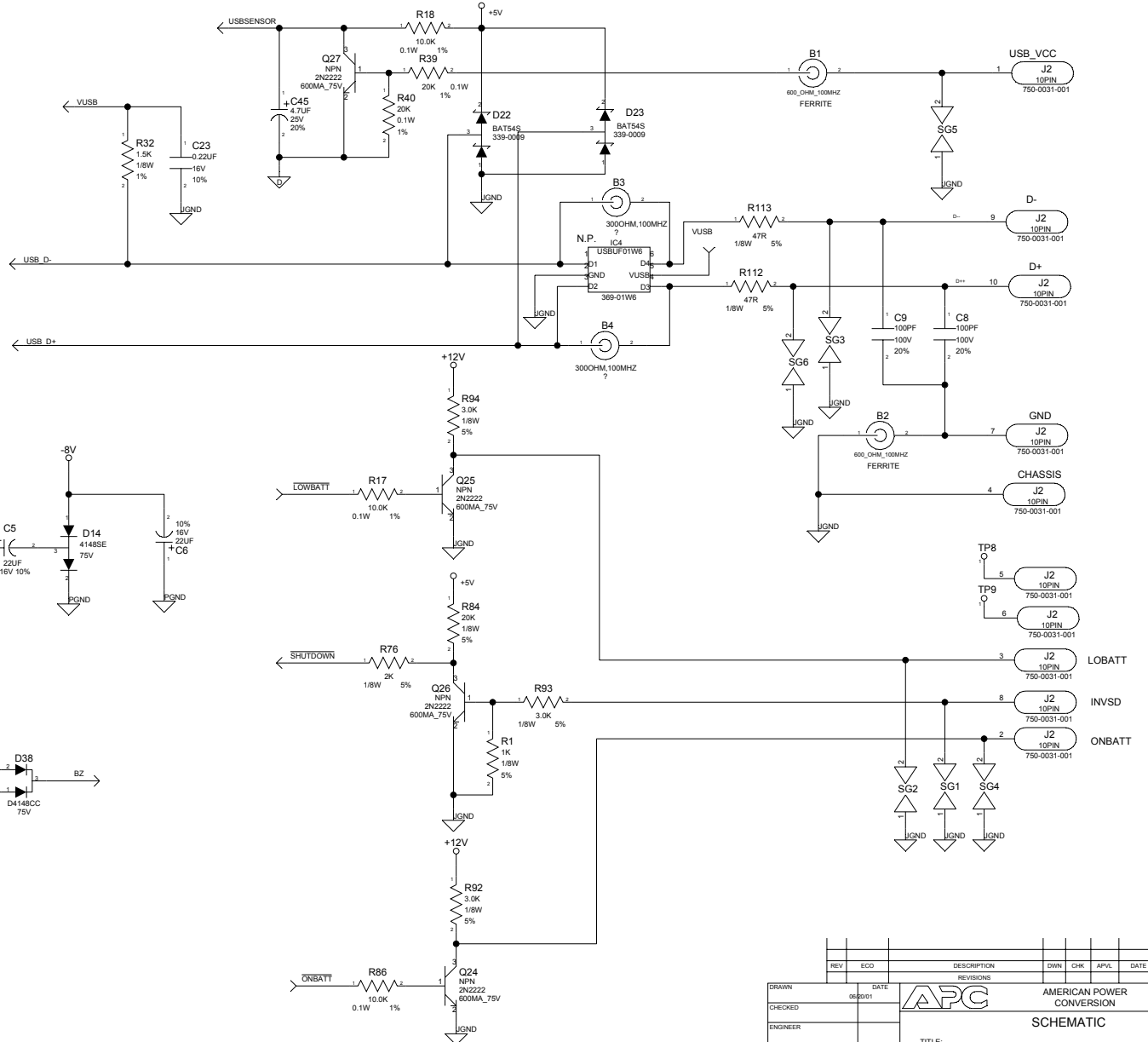
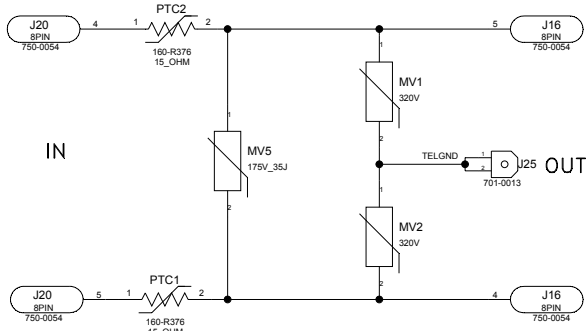
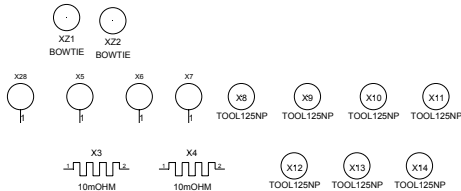


2 WIRE 1 LINE PHONE/MODEM PROTECTION



TOOLING HOLES/DECALS



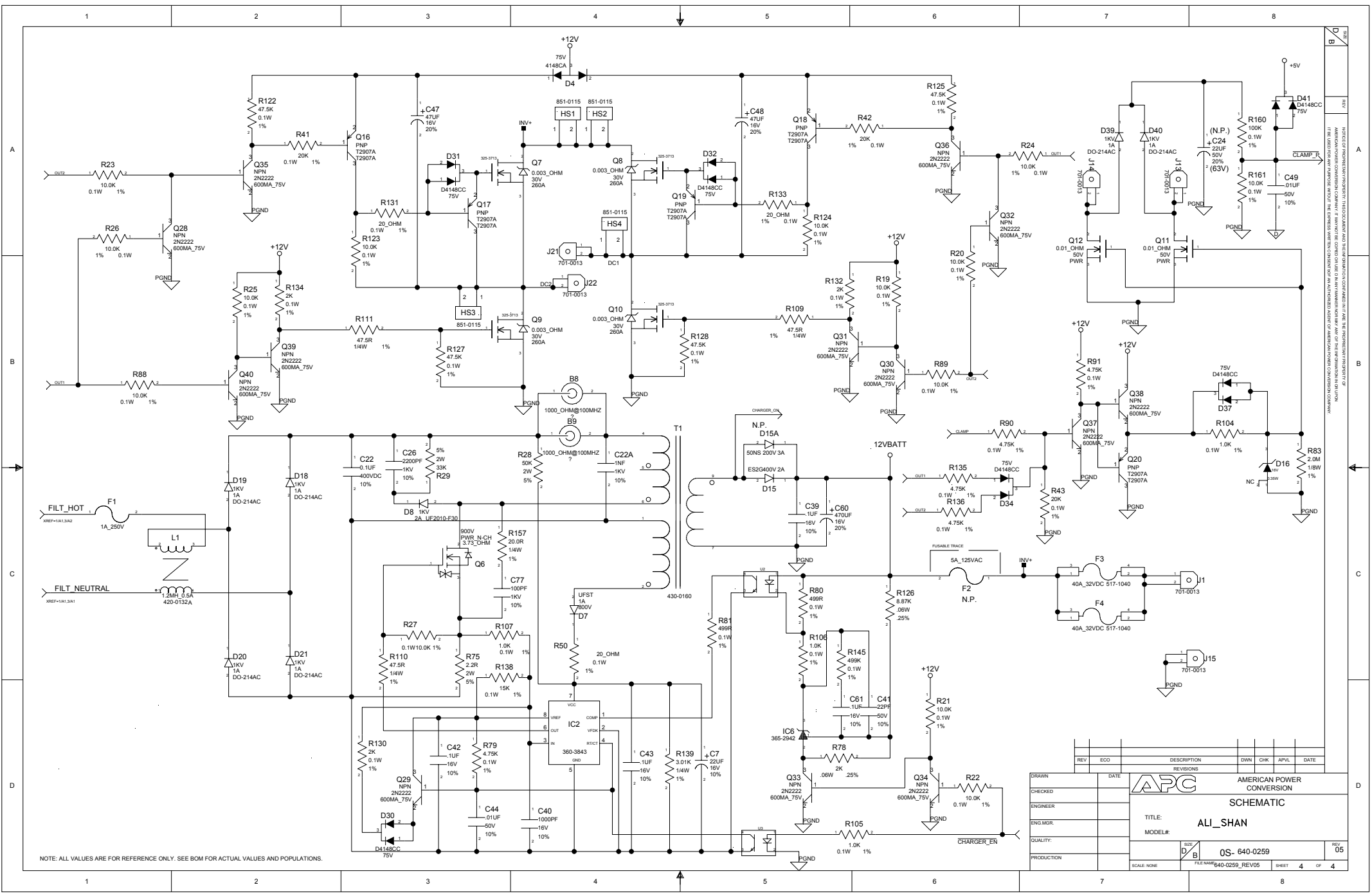
Net Label with N/XN (e.g. 2/C4) indicate Cross-Ref Sheet Number/Coordinates

Components in dotted box may be depopulated/changed in some versions. Use BOM to verify value.

REV	ECO	DATE	DESCRIPTION	DWN	CHK	APVL	DATE
		08/20/01					

DRAWN: _____ CHECKED: _____ ENGINEER: _____ ENGL MGR: _____ QUALITY: _____ PRODUCTION: _____	DATE: 08/20/01 TITLE: ALI_SHAN MODEL#: _____ SCALE: NONE FILE NAME: 640-0259_REV05	REVISIONS DWN CHK APVL DATE	AMERICAN POWER CONVERSION SCHEMATIC 05- 640-0259 SHEET 3 OF 4
---	---	---	--

THIS DOCUMENT IS UNCLASSIFIED AND IS RELEASED TO THE PUBLIC. IT IS THE PROPERTY OF AMERICAN POWER CONVERSION. IT IS TO BE USED ONLY FOR THE PURPOSES AUTHORIZED BY AMERICAN POWER CONVERSION. IT IS TO BE DESTROYED OR RECYCLED WHEN NO LONGER REQUIRED FOR THE PURPOSES AUTHORIZED BY AMERICAN POWER CONVERSION.



NOTE: ALL VALUES ARE FOR REFERENCE ONLY. SEE BOM FOR ACTUAL VALUES AND POPULATIONS.

REV	ECO	DESCRIPTION	DWN	CHK	APVL	DATE

DRAWN		DATE		REV	
CHECKED					
ENGINEER					
ENG. MGR.					
QUALITY					
PRODUCTION					

		AMERICAN POWER CONVERSION	
		SCHEMATIC	
TITLE: ALI_SHAN		REV: 05	
MODEL#: OS-640-0259		FILE NAME: 640-0259_REV05	
SCALE: NONE		SHEET 4 OF 4	