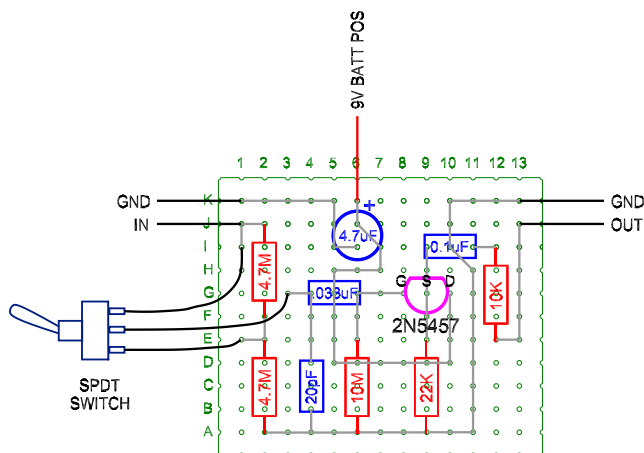


Piezo Buffer Circuit

Circuit Designed by Scott Helmke
 Perfboard Layout by Paul Marossy 1/5/06

Notes:

1. For best results, use a 2N5457 FET. Other FETs will probably work, but I haven't verified which ones do.
2. The 0.1uF and 0.033uF caps (C1 & C3) should be something other than ceramic caps. The 20pF cap (C2) can be ceramic, and the 4.7uF cap (C4) can be a common electrolytic cap.
3. Pay attention to the FET pinouts, not all FETs share the same pinout configuration.
4. The grey lines on the layout indicate connections on the underside of the board.
5. This circuit has been optimized for use with guitar. For use with a bass guitar, change R4 to 220K.



Perfboard Layout