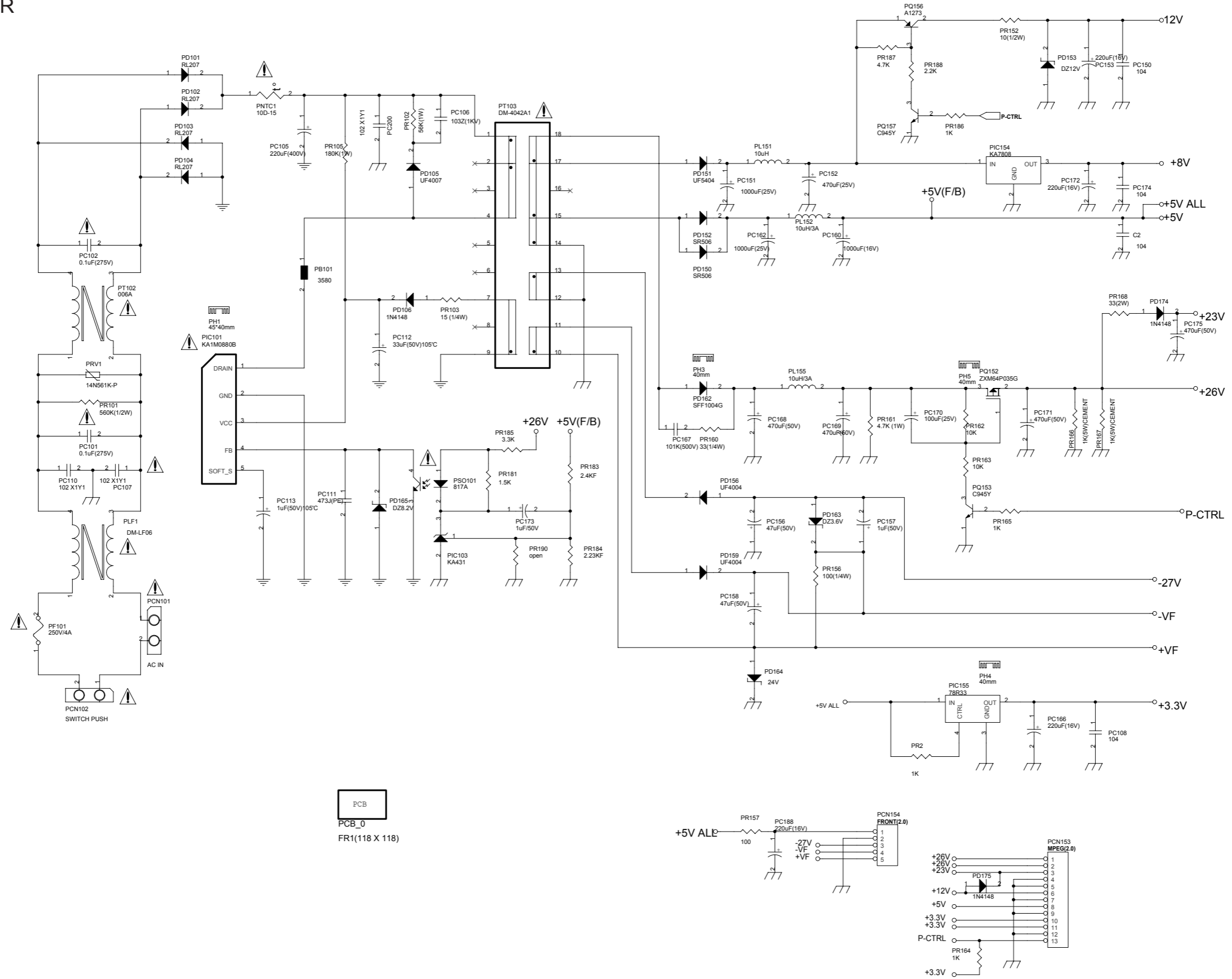


7-11 POWER



PCB
PCB_0
FR1(118 X 118)