

4-8 Convergence Adjustment

4-8-1 Convergence Adjustment



Special Notes

- ⇒ A sensor is attached on the center of each side of the Convergence Mode pattern (see figure below). The sensors are required for normal Perfect Focus function.
- ⇒ Use a screen jig to do the convergence adjustments correctly (Especially, perform correct convergence adjustments on the center of each side where a sensor is located.)
- ⇒ Do the convergence adjustments correctly. Otherwise, any Perfect Focus error can happen.


1. Warm up the TV for a least 30 minutes.
2. Input an PAL Signal.(Use an antenna or AV source.)

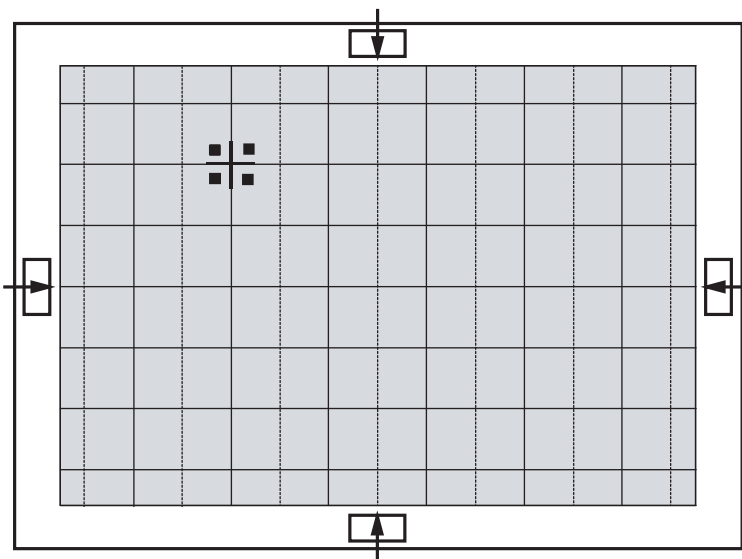


Make sure that deflection yoke are properly adjusted so that the center of Green, Red, Blue pattern is aligned on the center of screen jig.

3. Enter the Convergence Mode by Pressing the remote control keys in the following sequence:



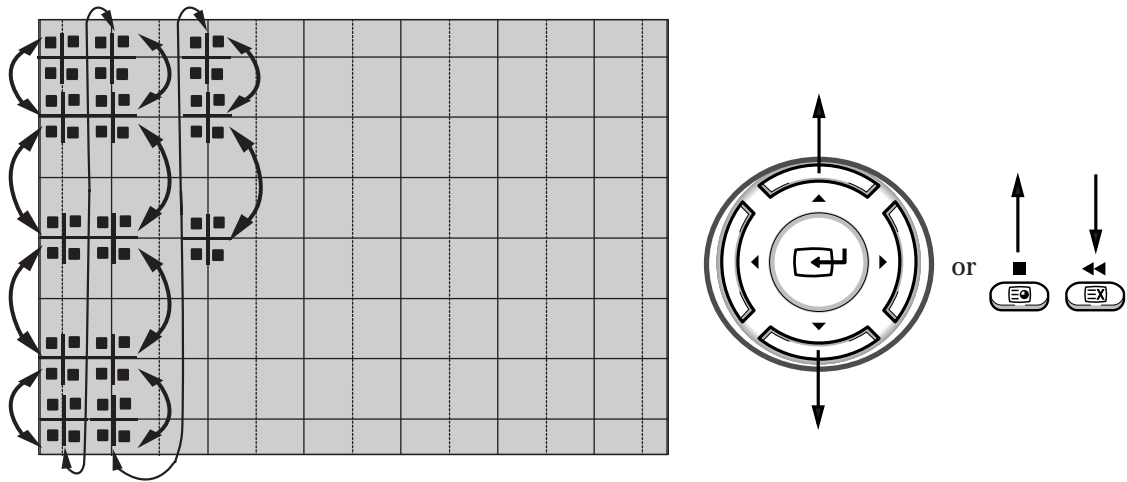
If OSD displayed as shown in figure below, press the ^{S.STD}  key to exit. Then, redo step 3 to enter the Convergence Mode. After entering the Convergence Mode, Stand by for about five seconds before doing the adjustments.



4. To adjust GREEN, first press the and the TV keys, and then press the key.

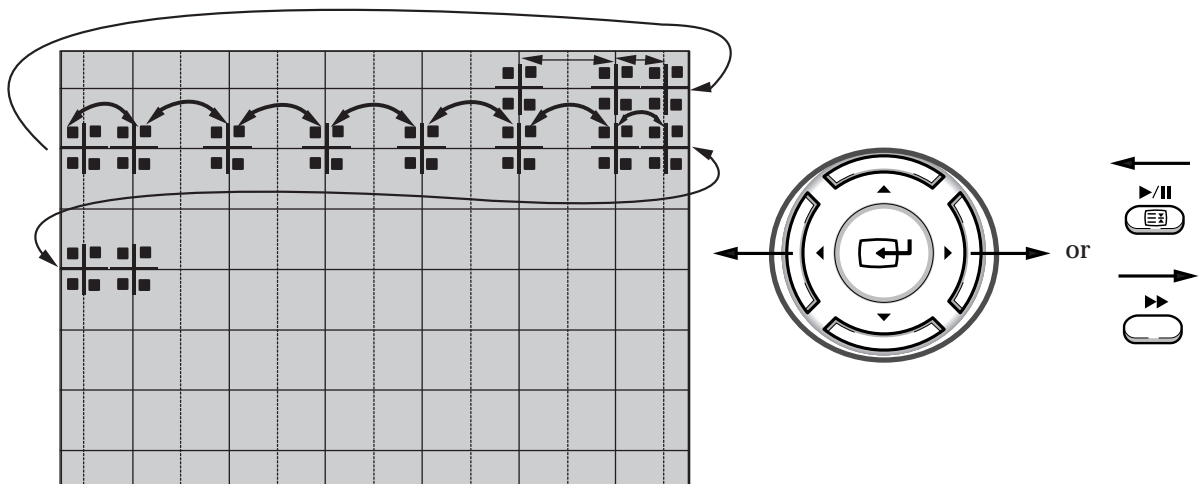


5. The key moves the cursor horizontally or vertically

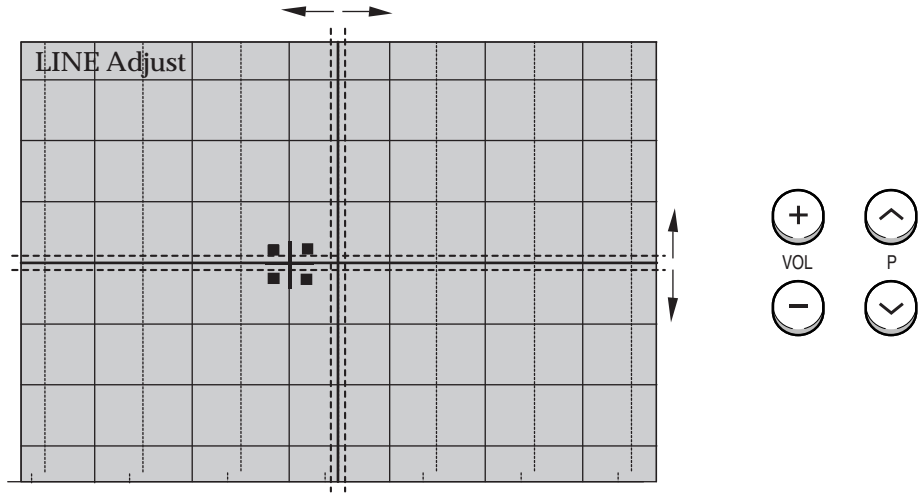


NOTE When the key is pressed once again, the cursor moves horizontally.

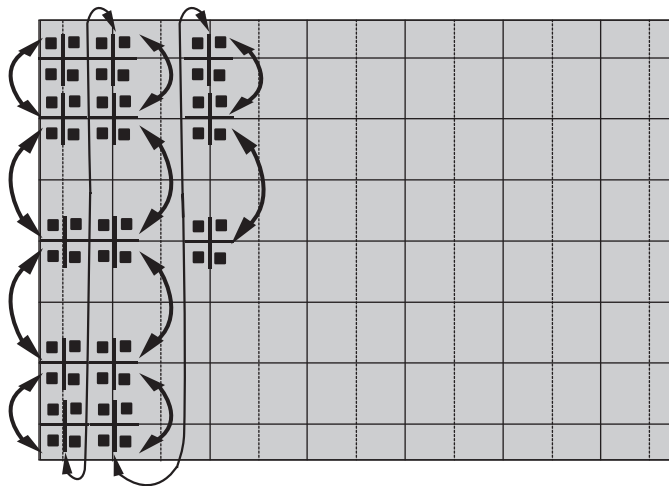
6. The Mute key moves the cursor right, and the key moves the cursor left.








- Use the **4** key for overall balance.



- After the Line Shift is cancelled by pressing the **4** key, use the Channel and Volume keys (Up/Down /Right/Left) to make big adjustments.
- After the green convergence adjustments are completed, press the **S.Mode** **I-II** key to save the data.
- Superimpose the Red and Green colors by pressing the **Menu** **1-2-3** and the **7** keys.
- To adjust RED, redo steps 5~7.



When the cursor moves vertically **Menu** **1-2-3**

12. To superimpose the blue and green colors, press (1) the   key for R-Mute, (2) the  key to cancel the B-Mute, and (3) the  key for B-select.
13. To adjust BLUE, redo steps 5 ~ 7, 13.
14. If any color is not properly adjusted when displaying the red, blue and green colors, readjust the color.
15. After the color adjustments are completed, press the ^{S.Mode}  key to save the data.



The cursor moves to center, and then automatically moves up and to the left about five seconds later.

